

Closed-coupled Pump

# Etabloc

Fixed Speed / Variable Speed

Locations: Europe / Middle East / North Africa

50 Hz / 60 Hz

## Type Series Booklet



## **Legal information/Copyright**

Type Series Booklet Etabloc

All rights reserved. The contents provided herein must neither be distributed, copied, reproduced, edited or processed for any other purpose, nor otherwise transmitted, published or made available to a third party without the manufacturer's express written consent.

Subject to technical modification without prior notice.

© KSB SE & Co. KGaA, Frankenthal 15/11/2018

## Contents

<b>Centrifugal Pumps with Shaft Seal.....</b>	<b>4</b>
Close-coupled Pump.....	4
Etabloc (Europe / Middle East / North Africa) .....	4
Main applications.....	4
Fluids handled .....	4
Related documents .....	4
Related documents .....	4
Operating data.....	4
Design details .....	5
Designation .....	6
Materials.....	8
Coating and preservation .....	9
Product benefits .....	9
Product information as per Regulation No. 547/2012 (for water pumps with a maximum shaft power of 150 kW) implementing "Ecodesign" Directive 2009/125/EC .....	9
Acceptance tests and warranty .....	9
Overview of product features / selection tables .....	10
Pressure limits and temperature limits .....	18
Technical data .....	19
Selection charts .....	20
Characteristic curves.....	23
Dimensions .....	24
Connections.....	92
Flange design .....	94
Installation types.....	96
Scope of supply .....	98
General assembly drawings.....	98

## Centrifugal Pumps with Shaft Seal

### Close-coupled Pump

# Etabloc (Europe / Middle East / North Africa)



**i** The product illustrated as an example may include options incurring a surcharge.

#### Main applications

- Handling clean or aggressive fluids not chemically and mechanically aggressive to the pump materials.
- Water supply systems
- Cooling circuits
- Swimming pools
- Fire-fighting systems
- General irrigation systems
- Drainage systems
- Heating systems
- Air-conditioning systems
- Spray irrigation systems

#### Fluids handled

- Seawater
- Brackish water
- Drinking water
- High-temperature hot water
- Service water
- Fire-fighting water
- Brine
- Cleaning agents
- Condensate
- Oils

#### Further information on fluids handled

Overview of fluids handled (⇒ Page 11)

#### Related documents

Information/documents

Document	Reference number
Type series booklet KSB SuPremE	4075.53
Type series booklet PumpMeter	4072.5

#### Related documents

Information/documents

Document	Reference number
Characteristic curves booklet (50 Hz) Fixed speed version Etanorm, Etanorm SYT Etanorm V Etabloc, Etabloc SYT Etanorm-R, Etanorm-RSY	1311.45
Characteristic curves booklet (60 Hz) Fixed speed version Etanorm, Etanorm SYT Etanorm V Etabloc, Etabloc SYT Etanorm-R, Etanorm-RSY	1311.46
Characteristic curves booklet Variable speed version Etanorm / Etabloc	1311.452

#### Operating data

Operating properties

Characteristic		Value	
		50 Hz	60 Hz
Flow rate	Q [m <sup>3</sup> /h]	≤ 660	≤ 740
Head	H [m]	≤ 140	≤ 144
Fluid temperature	T [°C]	≥ -30	≥ -30
		≤ +140	≤ +140
Operating pressure	p [bar]	≤ 16	≤ 16
Motor rating <sup>1)</sup>	P <sub>N</sub> [kW]	≤ 110	≤ 110

1) Refer to the overview of pump size / motor combinations

## Design details

### Design

- Volute casing pump
- Single-stage
- Ratings to EN 733
- Requirements to 2009/125/EC Directive
- Fixed speed version (without PumpDrive) / variable speed version (with PumpDrive)

### Pump casing

- Radially split volute casing
- Volute casing with integrally cast pump feet (not for pump casing material G, motor size  $\leq 180$ )
- Replaceable casing wear rings (optional for pump casing material C)

### Drive (fixed speed version)

#### Standard design:

- KSB/Siemens surface-cooled IEC frame three-phase squirrel-cage motor
- Efficiency class IE1 (size 71/80) / IE3 (from size 90) to IEC 60034-30
- Rated voltage (50 Hz) 230 V / 400 V  $\leq 2.20$  kW
- Rated voltage (50 Hz) 400 V / 690 V  $\geq 3.00$  kW
- Rated voltage (60 Hz) - / 460 V  $\leq 2.20$  kW
- Rated voltage (60 Hz) 460 V / -  $\geq 3.00$  kW
- Type of construction IM V1  $\leq 4.00$  kW
- Type of construction IM V15  $\geq 5.50$  kW
- Enclosure IP55
- Duty cycle: continuous duty S1
- Thermal class F with temperature sensor, 1 PTC thermistor (size 80/90) / 3 PTC thermistors (from size 100)

#### Explosion-proof design:

- KSB surface-cooled IEC three-phase current squirrel-cage motor
- Efficiency class IE2 / IE3 to IEC 60034-30
- Rated voltage (50 Hz) 230 V / 400 V  $\leq 2.50$  kW
- Rated voltage (50 Hz) 400 V / 690 V  $\geq 3.30$  kW
- Rated voltage (60 Hz) - / 460 V  $\leq 2.50$  kW
- Rated voltage (60 Hz) 460 V / -  $\geq 3.30$  kW
- Type of construction IM V1  $\leq 4.00$  kW
- Type of construction IM V15  $\geq 5.50$  kW
- Enclosure IP55
- Duty cycle: continuous duty S1
- Type of protection EEx eb II
- Temperature class T3

### Drive (variable speed version)

#### KSB SuPremE motor:

- Surface-cooled KSB SuPremE motor, IEC-compatible, magnetless synchronous reluctance motor (PumpDrive required)
- Efficiency class IE4/IE5 to IEC TS 60034-30-2:2016
- Mounting points to EN 50347:2001
- Envelope dimensions to DIN VDE 42673-4:2011-07

- Type of construction IM V1  $\leq 4.00$  kW
- Type of construction IM V15  $\geq 5.50$  kW
- Enclosure IP55
- Duty cycle: continuous duty S1
- Thermal class F with temperature sensor, 3 PTC thermistors
- Shaft centreline height 71 to 225 mm
- Rated power 0.55 kW to 45 kW
- Rated speed 1500 rpm or 3000 rpm
- Frequency 50 Hz / 60 Hz (PumpDrive input)
- Voltage 380 V to 480 V (PumpDrive input)

#### KSB SuPremE X1:

- With terminal box for connecting to PumpDrive 2 or PumpDrive R for mounting on walls and in control cabinets

#### KSB SuPremE X2:

- Equipped for being fitted with a motor-mounted PumpDrive 2

#### PumpDrive 2:

- Self-cooling frequency inverter of modular design for the continuously variable speed control of asynchronous reluctance motors and synchronous reluctance motors by means of analog standard signals, a field bus or the control panel
- Identical design of frequency inverter for motor mounting, wall mounting and cabinet mounting
- Mains voltage 3~ 380 V AC -10 % to 480 V AC +10 %
- Mains frequency 50 Hz to 60 Hz  $\pm 2$  %

#### PumpMeter:

- Intelligent pressure transmitter for pumps, with on-site display of measured values and operating data
- For recording the load profile of the pump
- Supplied completely assembled and parameterised for the individual pump

### Shaft seal

- Single mechanical seals and double mechanical seals to EN 12756
- Shaft equipped with replaceable shaft sleeve in the shaft seal area

### Impeller type

- Closed radial impeller with multiply curved vanes

## Designation

Designation example

Position																																					
1	2	3	4	5	6	7	8	9	10	11	12	13	14	15	16	17	18	19	20	21	22	23	24	25	26	27	28	29	30	31	32	33	34	35	36	37	38
E	T	B	-	0	4	0	-	0	2	5	-	1	6	0	-	G	G	S	A	V	6	7	D	2	1	1	0	0	2	-	-	B	P	D	2	E	M
See name plate and data sheet																							See data sheet												-		

Designation key

Position	Code	Description		
1-4	Pump type			
	ETB	Etabloc		
	ETBF	Etabloc bottle rinser variant		
5-16	Size [mm], z. B.			
	040	Nominal suction nozzle diameter		
	025	Nominal discharge nozzle diameter		
	160	Nominal impeller diameter		
17	Pump casing material			
	B	Bronze	CC480K-GS / B30 C90700	
	C	Stainless steel	1.4408 / A743CF8M	
	G	Cast iron	EN-GJL-250 / A48CL35	
18	Impeller material			
	B	Bronze	CC480K-DW / B30 C90700	
	C	Stainless steel	1.4408 / A743CF8M	
	G	Cast iron	EN-GJL-250 / A48CL35	
19	Design			
	E	Regulation (EC) 1935/2004		
	F	Bottle rinser variant		
	H	Approved for drinking water to ACS		
	K	Approved for drinking water to KSB Standard		
	P	Swimming pool variant		
	R	Gohl (special design)		
	S	Standard		
	U	Approved for drinking water to UBA		
	W	Approved for drinking water to WRAS		
X	Non-standard (BT3D, BT3)			
20	Casing cover			
	A	Conical seal chamber		
	C	Cylindrical seal chamber		
21	Shaft seal type			
	D	Double mechanical seal in back-to-back arrangement		
	E	Single mechanical seal, external circulation		
	F	Single mechanical seal, external flushing		
	I	Single mechanical seal, internal circulation, conical cover (A-type cover) only		
	S	Single mechanical seal with vented chamber (A-type cover), discharge cover with anti-swirl baffles		
	T	Double mechanical seal in tandem arrangement with internal circulation		
V	Single mechanical seal with vented chamber (A-type cover)			
22-23	Seal code, single mechanical seal			
	01	Q1Q1VGG	1 (ZN1181)	≥ -20 - ≤ +110 [°C]
	06	U3BEGG (shaft units 25, 35)	RMG13G606	≥ -30 - ≤ +140 [°C]
	07	Q1Q1EGG	1A (ZN1181)	≥ -30 - ≤ +110 [°C]
	08	AQ1VGG	M32N69	≥ -30 - ≤ +110 [°C]
	09	U3U3VGG	MG13G60	≥ -20 - ≤ +110 [°C]
	10	Q1Q1X4GG	1 (ZN1181)	≥ -20 - ≤ +110 [°C]
	11	BQ1EGG-WA (WA = drinking water)	1 (ZN1181)	≥ -30 - ≤ +110 [°C]
	12	Q12Q1M1GG	M37GN83	≥ -20 - ≤ +100 [°C]
	13	BQ1VGG	1 (ZN1181)	≥ -20 - ≤ +110 [°C]
	14	Q1Q1KY7G	KMB13S2G9	≥ -20 - ≤ +120 [°C]

Position	Code	Description			
22-23	15	Q1Q1K9GG/G	M7G49	≥ -20 - ≤ +110 [°C]	
	16	BVPGG	MG1520	≥ -20 - ≤ +110 [°C]	
	17	Q1BVGG	M7N	≥ -20 - ≤ +110 [°C]	
	22	AQ1EGG (shaft unit 55)	M32N69	≥ -30 - ≤ +140 [°C]	
	66	Q7Q7EGG	MG13G6	≥ -30 - ≤ +120 [°C]	
	67	Q6Q6X4GG	MG13G60 / MG1G6156	≥ -20 - ≤ +110 [°C]	
	Seal code, double mechanical seal in tandem arrangement				
	18	Q1Q1EGG/G	MG12G6-E1	≥ -30 - ≤ +110 [°C]	
		Q1Q1EGG-G	MG12G6-E1	≥ -30 - ≤ +110 [°C]	
	19	Q1Q1M1GG	HN400N	≥ -30 - ≤ +110 [°C]	
		Q1Q1EGG-G	MG12G6-E1	≥ -30 - ≤ +110 [°C]	
	20	Q12Q1M1GG1	M37GN85	≥ -20 - ≤ +110 [°C]	
		Q1Q1EGG-G	MG12G6-E1	≥ -20 - ≤ +110 [°C]	
	23	Q12Q1M1GG1	M37GN92	≥ -20 - ≤ +110 [°C]	
		Q1Q1EGG-G	MG12G6-E1	≥ -20 - ≤ +110 [°C]	
	Seal code, double mechanical seal in back-to-back arrangement				
	21	Q1Q1K9GG	M7G49	≥ -20 - ≤ +110 [°C]	
		Q1Q1K9GG	M7G49	≥ -20 - ≤ +110 [°C]	
	24	Q1Q1K9GG	M7G49	≥ -20 - ≤ +110 [°C]	
		Q1BVGG	M7N	≥ -20 - ≤ +110 [°C]	
	Seal code without mechanical seal				
	99	Shaft seal ring, variant Gohl			
24	Scope of supply				
	A	Pump only (Fig. 0 bare-shaft pump)			
	D	Pump, motor			
	E	Pump, back pull-out unit			
25	Shaft unit				
	2	Shaft unit 25			
	3	Shaft unit 35			
	5	Shaft unit 55			
26-29	Motor rating P <sub>N</sub> [kW]				
	0075	7,5			
	0300	30			
	1100	110			
30	Number of motor poles				
	2	2 poles			
	4	4 poles			
	6	6 poles			
31-32	Explosion protection				
	ex	With explosion-proof motor			
	--	Without explosion-proof motor			
33	Product generation				
	B	Etabloc			
34-37	Design				
	-	Fixed speed version			
	PD2	Variable speed version, with PumpDrive 2			
	PD2E	Variable speed version, with PumpDrive 2 Eco			
	IFS	MyFlow Drive			
38	PumpMeter				
	M	PumpMeter			

**Materials**

## Symbols key

Symbol	Description
x	Standard
o	Optional

## Overview of available materials

Part No. (⇒ Page 98)	Description	Material	Material variant							
			GG	GB	GC	BB	SG	SB	SC	CC
102	Volute casing	Grey cast iron EN-GJL-250 / A 48 CL 35 B	x	x	x	-	-	-	-	-
		Grey cast iron EN-GJL-250 / CATAPHORESIS	o	o	o	-	-	-	-	-
		Bronze CC480K-GS / B30 C90700	-	-	-	x	-	-	-	-
		Nodular cast iron EN-GJS-400-15 / A536 GR 60-40-18	-	-	-	-	x	x	x	-
		Stainless steel 1.4408 / A743 GR CF8 M	-	-	-	-	-	-	-	x
161	Casing cover, conical	Grey cast iron EN-GJL-250 / A 48 CL 35 B	x	x	x	-	-	-	-	-
		Grey cast iron EN-GJL-250 / CATAPHORESIS	o	o	o	-	-	-	-	-
		Bronze CC480K-GS / B30 C90700	-	-	-	x	-	-	-	-
		Nodular cast iron EN-GJS-400-15 / A536 GR 60-40-18	-	-	-	-	x	x	x	-
		Stainless steel 1.4408 / A743 GR CF8 M	-	-	-	-	-	-	-	x
161	Casing cover, cylindrical	Grey cast iron EN-GJL-250 / A 48 CL 35 B	o	o	o	-	-	-	-	-
		Grey cast iron EN-GJL-250 / CATAPHORESIS	o	o	o	-	-	-	-	-
		Stainless steel 1.4408 / A743 GR CF8 M	-	-	-	o	-	-	-	-
		Bronze CC480K-GS / B30 C90700	-	-	-	-	-	-	-	o
210	Shaft	Tempered steel C45+N	x	x	x	-	x	x	x	-
		Stainless steel 1.4571	o	o	o	x	o	o	o	x
230	Impeller	Grey cast iron EN-GJL-250 / A 48 CL 35 B	x	-	-	-	x	-	-	-
		Bronze CC480K DW	-	x	-	x	-	x	-	-
		Stainless steel 1.4408 / A743 GR CF8 M	-	-	x	-	-	-	x	x
341	Drive lantern	Grey cast iron EN-GJL-250 / A 48 CL 35 B	x	x	x	x	x	x	x	x
400	Gaskets	DPAF, asbestos-free	x	x	x	x	x	x	x	x
502.01	Casing wear ring, suction side	JL / lamellar graphite cast iron	x	x	x	-	x	x	x	-
		Stainless steel (CrNiMo steel) <sup>2)</sup>	o	o	o	-	-	-	-	o
		Bronze CC495K-GS	-	o	-	x	-	o	-	-
502.02	Casing wear ring, discharge side	JL / lamellar graphite cast iron	x	x	x	-	x	x	x	-
		Stainless steel (CrNiMo steel) <sup>2)</sup>	o	o	o	-	-	-	-	o
		Bronze CC495K-GS	-	o	-	x	-	o	-	-
523	Shaft sleeve <sup>3)</sup>	Stainless steel (CrNiMo steel) <sup>2)</sup>	x	x	x	x	x	x	x	x
902	Studs	Steel 8.8	x	x	x	-	x	x	x	-
		A4-70 / A193 GR B8M CL2	o	o	o	x	o	o	o	x
903	Screw plug	Steel	x	x	x	-	x	x	x	-
		A4/ AISI 316	o	o	o	x	o	o	o	x
920	Nut	8+A2A/ 8+B633 SC1 TP3	x	x	x	-	x	x	x	-
		A4/ AISI 316	o	o	o	x	o	o	o	x
920.95	Impeller nut	A4/ AISI 316	o	o	x	x	o	x	x	x
		Steel 8	x	x	-	-	x	-	-	-

2) Possible materials for material group CrNiMo steel INT (material identification code 7605): 1.4401, 1.4404, 1.4408, 1.4571, AISI 316, AISI 316TI, A743 GR CF8 M, A479 type 316L.

3) For versions with mechanical seal

### Coating and preservation

- Coating and preservation to KSB standard

### Product benefits

- Improved efficiency and NPSHreq by experimentally verified hydraulic design of impellers (vanes)
- Operating costs reduced by trimming the nominal impeller diameter to match the specified duty point
- Little wear, low vibration levels and excellent smooth running characteristics thanks to good suction performance and virtually cavitation-free operation across a wide operating range
- Casing sealed reliably – even in varying operating conditions – by confined casing gasket
- Optimum match of pump to fluid handled by a large choice of materials for many applications as standard
- Extended selection chart with additional pump sizes for small flow rates
- Easy to dismantle using forcing screws at the interface of casing cover and drive lantern

### Warranty:

- Warranties are given within the scope of the valid terms and conditions of sale and delivery.

### Product information as per Regulation No. 547/2012 (for water pumps with a maximum shaft power of 150 kW) implementing "Ecodesign" Directive 2009/125/EC

- Minimum efficiency index: see data sheet
- The benchmark for the most efficient water pumps is MEI  $\geq 0.70$ .
- Year of construction: see data sheet
- Manufacturer's name or trade mark, commercial registration number and place of manufacture: see data sheet or order documentation
- Product's type and size identifier: see data sheet
- Hydraulic pump efficiency (%) with trimmed impeller: see data sheet
- Pump performance curves, including efficiency characteristics: see documented characteristic curve
- The efficiency of a pump with a trimmed impeller is usually lower than that of a pump with full impeller diameter. Trimming of the impeller will adapt the pump to a fixed duty point, leading to reduced energy consumption. The minimum efficiency index (MEI) is based on the full impeller diameter.
- Operation of this water pump with variable duty points may be more efficient and economic when controlled, for example, by the use of a variable speed drive that matches the pump duty to the system.
- Information relevant for disassembly, recycling or disposal at end of life: see installation/operating manual
- Information on benchmark efficiency or benchmark efficiency graph for MEI = 0.70 (0.40) for the pump based on the model shown in the Figure are available at: <http://www.europump.org/efficiencycharts>

### Acceptance tests and warranty

#### Materials inspection and testing:

- Test report 2.2 on request

#### Final inspection:

- Inspection certificate 3.1 to EN 10204 on request

#### Hydraulic test against surcharge

- Duty point to ISO 9906/2B
- NPSH test

 Other inspections/tests on request

## Overview of product features / selection tables

## Overview of variants

 Other designs on request

## Overview of Etabloc variants

Variant	102 / Volute casing	230 / Impeller	Mechanical seal	T [°C]	Main applications									MPG	
					Handling clean or aggressive fluids not chemically and mechanically aggressive to the pump materials	Water supply systems	Cooling circuits	Swimming pools	Fire-fighting systems	General irrigations systems	Drainage systems	Heating systems	Air-conditioning systems		Spray irrigation systems
GG06	Grey cast iron EN-GJL-250 / A 48 CL 35 B	Grey cast iron EN-GJL-250 / A 48 CL 35 B	SU 25, 35: mech. seal U3BEGG SU 55: mech. seal AQ1EGG	≥ -30 - ≤ +140	-	-	-	-	-	-	-	✗	-	-	V4
GG10	Grey cast iron EN-GJL-250 / A 48 CL 35 B	Grey cast iron EN-GJL-250 / A 48 CL 35 B	Mech. seal Q1Q1X4GG	≥ -20 - ≤ +110	-	✗	-	✗ <sup>4)</sup>	✗	✗	✗	-	-	✗	V4
GG11	Grey cast iron EN-GJL-250 / A 48 CL 35 B	Grey cast iron EN-GJL-250 / A 48 CL 35 B	Mech. seal BQ1EGG	≥ -30 - ≤ +110	✗	✗	✗ <sup>5)</sup>	-	✗	-	-	-	✗ <sup>5)</sup>	-	V4
GB06	Grey cast iron EN-GJL-250 / A 48 CL 35 B	Bronze CC480K-DW / B30 C90700	SU 25, 35: mech. seal U3BEGG SU 55: mech. seal AQ1EGG	≥ -30 - ≤ +140	-	-	-	-	-	-	-	✗	-	-	VB
GB10	Grey cast iron EN-GJL-250 / A 48 CL 35 B	Bronze CC480K-DW / B30 C90700	Mech. seal Q1Q1X4GG	≥ -20 - ≤ +110	-	✗	-	✗ <sup>4)</sup>	✗	✗	✗	-	-	✗	VB
GB11	Grey cast iron EN-GJL-250 / A 48 CL 35 B	Bronze CC480K-DW / B30 C90700	Mech. seal BQ1EGG	≥ -30 - ≤ +110	✗	✗	✗ <sup>5)</sup>	-	✗	-	-	-	✗ <sup>5)</sup>	-	VB
CC06	Stainless steel 1.4408 / A743 GR CF8 M	Stainless steel 1.4408 / A743 GR CF8 M	SU 25, 35: mech. seal U3BEGG SU 55: mech. seal AQ1EGG	≥ -30 - ≤ +140	-	-	-	-	-	-	-	✗	-	-	V6
CC10	Stainless steel 1.4408 / A743 GR CF8 M	Stainless steel 1.4408 / A743 GR CF8 M	Mech. seal Q1Q1X4GG	≥ -20 - ≤ +110	-	✗	-	✗ <sup>4)</sup>	✗	✗	✗	-	-	✗	V6
CC11	Stainless steel 1.4408 / A743 GR CF8 M	Stainless steel 1.4408 / A743 GR CF8 M	Mech. seal BQ1EGG	≥ -30 - ≤ +110	✗	✗	✗ <sup>5)</sup>	-	✗	-	-	-	✗ <sup>5)</sup>	-	V6

4) Q1Q1VGG

5) Q1Q1EGG / Q7Q7EGG, fluid handled: water, glycol with inhibitors

**Overview of fluids handled**
**KSB EasySelect, selection software for all applications**


KSB EasySelect is a comprehensive selection tool for all applications. It guides users to an optimal solution for their projects by offering a fast, easy and user-friendly way to select and configure pumps and valves. All that is required are some project-specific criteria and a few minutes' time. The tool systematically guides the user through KSB's wide range of products to the right product for the application at hand.

Other fluids upon request.

**Symbols key**

Symbol	Description
X	Standard
-	Version not available / not feasible

Excerpt from the overview of fluids handled with associated material variants

Fluid handled	T <sup>6)</sup>		Materials					Shaft seal						Comments
	Minimum	Maximum	Casing/impeller					Mechanical seal						
			Grey cast iron/ grey cast iron	Grey cast iron/ bronze	Modular cast iron/ grey cast iron	Tin bronze/ tin bronze	CrNiMo cast steel/ CrNiMo cast steel	U3BEGG	Q1Q1EGG	U3U3VGG	Q1Q1X4GG	BQ1EGG	Q12Q1M1GG	
[°C]		GG	GB	SG	BB	CC	6	7	9	10	11	12		
<b>Water</b>														
Brackish water <sup>7)</sup>	-	≤ +25	-	-	-	X	-	-	-	-	X	-	-	CrNiMo cast steel can be used.
Fire-fighting water <sup>8)</sup>	-	≤ +60	-	X	-	-	-	-	-	-	X	-	-	Contact KSB for supply to VdS guideline.
Heating water <sup>9)</sup>	-	≤ +120	X	-	-	-	-	-	-	-	X	-	-	If used as a circulating pump to DIN 4752: p maximum ≤ 10 bar. If ductile material has been specified: SG
Heating water	-	≤ +140	X	-	-	-	-	X	-	-	-	-	-	
Heating water	≥ +110	-	X	-	-	-	-	-	-	-	X	-	-	
Condensate	-	≤ +120	X	-	-	-	-	-	-	-	-	X	-	
Condensate, not conditioned	-	≤ +120	-	-	-	-	X	-	-	-	-	X	-	
Cooling water without antifreeze	-	≤ +60	X	-	-	-	-	-	-	-	X	-	-	Open circuit: GB 10 required
Cooling water with antifreeze <sup>10)</sup> , pH ≥ 7.5	≥ -30	≤ +60	X	-	-	-	-	-	-	-	-	X	-	Open circuit: use GB
Cooling water with antifreeze <sup>10)</sup> , pH ≥ 7.5	≥ +60	≤ +110	X	-	-	-	-	X	-	-	-	-	-	Open circuit: use GB
Slightly contaminated water	-	≤ +60	X	-	-	-	-	-	-	-	X	-	-	
Seawater	-	≤ +25	-	-	-	X	-	-	-	-	X	-	-	CrNiMo cast steel can be used.
Pure water <sup>11)</sup>	-	≤ +60	X	-	-	-	-	-	-	-	-	X	-	
Raw water	-	≤ +60	X	-	-	-	-	-	-	-	X	-	-	
Swimming pool water (fresh water)	-	≤ +60	X	-	-	-	-	-	-	-	X	-	-	Also applies to requirements as per DIN 19643
Swimming pool water <sup>12)</sup> : filtration	-	≤ +40	-	X	-	-	-	-	-	-	X	-	-	Variant GB Shaft C45+N, shaft sleeve CrNiMo steel, nut A4/AISI 316, key A2, casing wear ring (suction and discharge side) grey cast iron JL 1040/ CI
Swimming pool water <sup>12)</sup> : water features; without turbulences and/or air content	-	≤ +40	-	X	-	-	-	-	-	-	X	-	-	Variant GB Shaft C45+N, shaft sleeve CrNiMo steel, nut A4/ AISI 316, key A2, casing wear ring (suction and discharge side) CC495K-GS
Swimming pool water <sup>12)</sup> : water features; with turbulences and/or air content	-	≤ +40	-	-	-	X	-	-	-	-	X	-	-	Variant B Shaft 1.4571, shaft sleeve CrNiMo steel, nut A4/ AISI 316, key A2, casing wear ring (suction and discharge side) CC495K-GS
Swimming pool water (seawater)	-	≤ +40	-	-	-	X	-	-	-	-	X	-	-	CrNiMo cast steel for t ≤ 25 °C
Dam water	-	≤ +60	-	X	-	-	-	-	-	-	X	-	-	If solids are contained, contact KSB.

- 6) T = fluid temperature
- 7) For components made of bronze: ammonia (NH<sub>3</sub>) ≤ 5 mg/kg, free from hydrogen sulphide (H<sub>2</sub>S); no limitation of Cl content required in this case. Please contact KSB if limits are exceeded.
- 8) General evaluation criteria for results of water analysis: pH ≥ 7; chlorides content (Cl) ≤ 250 mg/kg. Chlorine (Cl<sub>2</sub>) ≤ 0.6 mg/kg
- 9) Treatment to VdTÜV 1466, additional requirement: O<sub>2</sub> t < 0.02 mg/l
- 10) Antifreeze on ethylene glycol basis with inhibitors, content > 20 % to 50 % (e.g. Antifrogen N)
- 11) No ultra-pure water. Conductivity at 25 °C: ≤ 800 µS/cm, neutral with regard to chemical corrosion
- 12) For France, observe the applicable rules as per ministerial order dated 18 January 2002.

Fluid handled	T <sup>3)</sup>		Materials						Shaft seal						Comments
			Casing/impeller						Mechanical seal						
	Minimum	Maximum	Grey cast iron/ grey cast iron	Grey cast iron/ bronze	Nodular cast iron/ grey cast iron	Tin bronze/ tin bronze	CrNiMo cast steel/ CrNiMo cast steel	U3BEGG	Q1Q1EGG	U3U3VGG	Q1Q1X4GG	BQ1EGG	Q12Q1M1GG		
														[°C]	
Drinking water <sup>13)</sup>	-	≤ +60	-	X	-	-	-	-	-	-	-	X	-	-	
Partly desalinated water	-	≤ +120	X	-	-	-	-	-	-	-	-	X	-	-	
Fully desalinated water	-	≤ +120	-	-	-	-	X	-	-	-	-	X	-	Purity requirements cannot be met.	
Fully desalinated water as boiler feed water	-	≤ +120	X	-	-	-	-	-	-	-	-	X	-	-	
<b>Refrigerants, cooling brines</b>															
Cooling brine; inorganic, pH > 7.5, inhibited	≥ -30	≤ +25	X	-	-	-	-	-	-	-	-	X	-	-	
Water with antifreeze, pH ≥ 7.5	≥ -30	≤ +60	X	-	-	-	-	-	-	-	-	X	-	-	
Water with antifreeze, pH ≥ 7.5	≥ +60	≤ +110	X	-	-	-	-	-	X	-	-	-	-	-	
<b>Oils/emulsions</b>															
Diesel oil, extra light fuel oil	-	≤ +60	-	-	X	-	-	-	-	-	X	-	-	GG possible, unless specific standards have to be observed	
Lubricating oil, turbine oil (does not apply to SF-D oils, hardly flammable)	-	≤ +80	-	-	X	-	-	-	-	-	X	-	-	For versions without internal primer contact KSB. GG possible, unless specific standards have to be observed	
Drilling emulsion, grinding emulsion	-	≤ +60	X	-	-	-	-	-	-	X	-	-	-	-	
Oil-water emulsion	-	≤ +60	X	-	-	-	-	-	-	X	-	-	-	-	
<b>Brewery applications</b>															
Beer mash	-	≤ +100	X	-	-	-	-	-	-	-	-	-	X	If there is a risk of the pump running dry due to excessive emptying of the tank, use an Etanorm with double mechanical seal in tandem arrangement.	
Beer wort	-	≤ +100	X	-	-	-	-	-	-	-	-	-	X		

13) For France, ACS approval is required.

## Overview of materials

### Symbols key

Symbol	Description
x	Available
-	Version not available / not feasible

### Material variants available

Size	GG	GB	GC	BB	SG	SB	SC	CC
040-025-160	x	x	x	-	x	x	x	x
040-025-200	x	x	x	-	x	x	x	x
050-032-125	x	x	x	x	-	-	-	x
050-032-125.1	x	x	x	x	x	x	x	x
050-032-160	x	x	x	x	x	x	x	x
050-032-160.1	x	x	x	x	x	x	x	x
050-032-200	x	x	x	x	x	x	x	x
050-032-200.1	x	x	x	x	x	x	x	x
050-032-250	x	x	x	-	x	x	x	x
050-032-250.1	x	x	x	-	-	-	-	x
065-040-125	x	x	x	x	-	-	-	x
065-040-160	x	x	x	x	x	x	x	x
065-040-200	x	x	x	x	x	x	x	x
065-040-250	x	x	x	x	x	x	x	x
065-040-315	x	x	x	-	x	x	x	x
065-050-125	x	x	x	x	-	-	-	x
065-050-160	x	x	x	x	x	x	x	x
065-050-200	x	x	x	x	x	x	x	x
065-050-250	x	x	x	x	x	x	x	x
065-050-315	x	x	x	-	x	x	x	x
080-065-125	x	x	x	x	-	-	-	x
080-065-160	x	x	x	x	x	x	x	x
080-065-200	x	x	x	x	x	x	x	x
080-065-250	x	x	x	x	x	x	x	x
080-065-315	x	x	x	x	x	x	x	x
100-080-160	x	x	x	x	x	x	x	x
100-080-200	x	x	x	x	x	x	x	x
100-080-250	x	x	x	x	x	x	x	x
100-080-315	x	x	x	-	x	x	x	x
100-080-400	x	x	x	-	-	-	-	x
125-100-160	x	x	x	x	x	x	x	x
125-100-200	x	x	x	x	x	x	x	x
125-100-250	x	x	x	x	x	x	x	x
125-100-315	x	x	x	x	x	x	x	x
125-100-400	x	x	x	-	-	-	-	x
150-125-200	x	x	x	x	x	x	x	x
150-125-250	x	x	x	x	x	x	x	x
150-125-315	x	x	x	x	x	x	x	x
150-125-400	x	x	x	-	x	x	x	x
200-150-200	x	x	x	-	-	-	-	x
200-150-250	x	x	x	x	-	-	-	x
200-150-315	x	x	x	x	x	x	x	x
200-150-400	x	x	x	x	x	x	x	x

### Overview of pump size / motor combinations

#### Symbols key

Symbol	Description
x	Available
-	Version not available / not feasible

#### Available pump size / motor combinations

Size	n			Motor (IEC)												
	2900	1450	960	71	80	90	100	112	132	160	180	200	225	250	280	315
	[rpm]	[rpm]	[rpm]													
040-025-160	x	-	-	-	x	x	x	x	-	-	-	-	-	-	-	-
040-025-160	-	x	-	x	x	-	-	-	-	-	-	-	-	-	-	-
040-025-160	-	-	x	-	x	x	-	-	-	-	-	-	-	-	-	-
040-025-200	x	-	-	-	-	x	x	x	x	-	-	-	-	-	-	-
040-025-200	-	x	-	x	x	x	-	-	-	-	-	-	-	-	-	-
040-025-200	-	-	x	-	x	x	-	-	-	-	-	-	-	-	-	-
050-032-125	x	-	-	-	x	x	x	x	x	-	-	-	-	-	-	-
050-032-125	-	x	-	x	x	x	-	-	-	-	-	-	-	-	-	-
050-032-125	-	-	x	-	x	x	-	-	-	-	-	-	-	-	-	-
050-032-125.1	x	-	-	x	x	x	x	x	x	-	-	-	-	-	-	-
050-032-125.1	-	x	-	-	x	x	-	-	-	-	-	-	-	-	-	-
050-032-125.1	-	-	x	-	x	x	-	-	-	-	-	-	-	-	-	-
050-032-160	x	-	-	-	-	x	x	x	x	-	-	-	-	-	-	-
050-032-160	-	x	-	x	x	x	-	-	-	-	-	-	-	-	-	-
050-032-160	-	-	x	-	x	x	-	-	-	-	-	-	-	-	-	-
050-032-160.1	x	-	-	-	-	x	x	x	x	x	-	-	-	-	-	-
050-032-160.1	-	x	-	x	x	x	-	-	-	-	-	-	-	-	-	-
050-032-160.1	-	-	x	-	x	x	-	-	-	-	-	-	-	-	-	-
050-032-200	x	-	-	-	-	-	-	x	x	x	-	-	-	-	-	-
050-032-200	-	x	-	-	x	x	x	-	-	-	-	-	-	-	-	-
050-032-200	-	-	x	-	x	x	-	-	-	-	-	-	-	-	-	-
050-032-200.1	x	-	-	-	-	-	x	x	x	x	-	-	-	-	-	-
050-032-200.1	-	x	-	x	x	x	-	-	-	-	-	-	-	-	-	-
050-032-200.1	-	-	x	-	x	x	-	-	-	-	-	-	-	-	-	-
050-032-250	x	-	-	-	-	-	-	-	x	x	x	x	-	-	-	-
050-032-250	-	x	-	-	-	x	x	x	-	-	-	-	-	-	-	-
050-032-250	-	-	x	-	x	x	-	-	-	-	-	-	-	-	-	-
050-032-250.1	x	-	-	-	-	-	-	-	x	x	-	-	-	-	-	-
050-032-250.1	-	x	-	-	x	x	x	-	-	-	-	-	-	-	-	-
050-032-250.1	-	-	x	-	x	x	-	-	-	-	-	-	-	-	-	-
065-040-125	x	-	-	-	-	x	x	x	x	x	-	-	-	-	-	-
065-040-125	-	x	-	x	x	x	-	-	-	-	-	-	-	-	-	-
065-040-125	-	-	x	-	x	x	-	-	-	-	-	-	-	-	-	-
065-040-160	x	-	-	-	-	-	x	x	x	x	-	-	-	-	-	-
065-040-160	-	x	-	-	x	x	x	-	-	-	-	-	-	-	-	-
065-040-160	-	-	x	-	x	x	-	-	-	-	-	-	-	-	-	-
065-040-200	x	-	-	-	-	-	-	-	x	x	x	-	-	-	-	-
065-040-200	-	x	-	-	x	x	x	-	-	-	-	-	-	-	-	-
065-040-200	-	-	x	-	x	x	-	-	-	-	-	-	-	-	-	-
065-040-250	x	-	-	-	-	-	-	-	-	x	x	x	-	-	-	-
065-040-250	-	x	-	-	-	x	x	x	x	-	-	-	-	-	-	-
065-040-250	-	-	x	-	x	x	x	-	-	-	-	-	-	-	-	-
065-040-315	x	-	-	-	-	-	-	-	-	x	x	x	x	-	-	-
065-040-315	-	x	-	-	-	-	x	x	x	x	-	-	-	-	-	-
065-040-315	-	-	x	-	-	-	x	x	x	-	-	-	-	-	-	-
065-050-125	x	-	-	-	-	-	x	x	x	x	-	-	-	-	-	-
065-050-125	-	x	-	-	x	x	-	-	-	-	-	-	-	-	-	-
065-050-125	-	-	x	-	x	x	-	-	-	-	-	-	-	-	-	-
065-050-160	x	-	-	-	-	-	-	-	x	x	x	-	-	-	-	-

Size	n			Motor (IEC)												
	2900	1450	960	71	80	90	100	112	132	160	180	200	225	250	280	315
	[rpm]	[rpm]	[rpm]													
065-050-160	-	X	-	-	X	X	X	-	-	-	-	-	-	-	-	-
065-050-160	-	-	X	-	X	X	-	-	-	-	-	-	-	-	-	-
065-050-200	X	-	-	-	-	-	-	-	-	X	X	X	-	-	-	-
065-050-200	-	X	-	-	-	X	X	X	X	-	-	-	-	-	-	-
065-050-200	-	-	X	-	X	X	X	-	-	-	-	-	-	-	-	-
065-050-250	X	-	-	-	-	-	-	-	-	X	X	X	-	-	-	-
065-050-250	-	X	-	-	-	X	X	X	X	-	-	-	-	-	-	-
065-050-250	-	-	X	-	X	X	X	-	-	-	-	-	-	-	-	-
065-050-315	X	-	-	-	-	-	-	-	-	-	-	X	X	X	X	-
065-050-315	-	X	-	-	-	-	X	X	X	X	-	-	-	-	-	-
065-050-315	-	-	X	-	-	-	X	X	X	-	-	-	-	-	-	-
080-065-125	X	-	-	-	-	-	-	X	X	X	-	-	-	-	-	-
080-065-125	-	X	-	-	X	X	X	-	-	-	-	-	-	-	-	-
080-065-125	-	-	X	-	X	X	-	-	-	-	-	-	-	-	-	-
080-065-160	X	-	-	-	-	-	-	-	X	X	X	X	-	-	-	-
080-065-160	-	X	-	-	-	X	X	X	-	-	-	-	-	-	-	-
080-065-160	-	-	X	-	X	X	-	-	-	-	-	-	-	-	-	-
080-065-200	X	-	-	-	-	-	-	-	-	X	X	X	-	-	-	-
080-065-200	-	X	-	-	-	-	X	X	X	-	-	-	-	-	-	-
080-065-200	-	-	X	-	X	X	X	X	-	-	-	-	-	-	-	-
080-065-250	X	-	-	-	-	-	-	-	-	-	X	X	X	X	X	-
080-065-250	-	X	-	-	-	-	X	X	X	X	-	-	-	-	-	-
080-065-250	-	-	X	-	-	-	X	X	X	-	-	-	-	-	-	-
080-065-315	X	-	-	-	-	-	-	-	-	-	-	-	X	X	X	-
080-065-315	-	X	-	-	-	-	-	-	X	X	X	-	-	-	-	-
080-065-315	-	-	X	-	-	-	-	X	X	-	-	-	-	-	-	-
100-080-160	X	-	-	-	-	-	-	-	-	X	X	X	-	-	-	-
100-080-160	-	X	-	-	-	X	X	X	X	-	-	-	-	-	-	-
100-080-160	-	-	X	-	X	X	X	-	-	-	-	-	-	-	-	-
100-080-200	X	-	-	-	-	-	-	-	-	X	X	X	X	X	X	-
100-080-200	-	X	-	-	-	-	X	X	X	X	-	-	-	-	-	-
100-080-200	-	-	X	-	-	-	X	X	X	-	-	-	-	-	-	-
100-080-250	X	-	-	-	-	-	-	-	-	-	-	X	X	X	X	X
100-080-250	-	X	-	-	-	-	-	X	X	X	X	-	-	-	-	-
100-080-250	-	-	X	-	-	-	X	X	X	-	-	-	-	-	-	-
100-080-315	X	-	-	-	-	-	-	-	-	-	-	-	-	-	X	X
100-080-315	-	X	-	-	-	-	-	-	X	X	X	X	X	-	-	-
100-080-315	-	-	X	-	-	-	-	-	X	X	-	-	-	-	-	-
100-080-400	-	X	-	-	-	-	-	-	-	-	-	X	X	-	-	-
125-100-160	X	-	-	-	-	-	-	-	-	-	X	X	X	-	-	-
125-100-160	-	X	-	-	-	-	X	X	X	-	-	-	-	-	-	-
125-100-160	-	-	X	-	-	-	X	X	-	-	-	-	-	-	-	-
125-100-200	X	-	-	-	-	-	-	-	-	-	-	X	X	X	X	-
125-100-200	-	X	-	-	-	-	-	X	X	X	-	-	-	-	-	-
125-100-200	-	-	X	-	-	-	X	X	X	-	-	-	-	-	-	-
125-100-250	X	-	-	-	-	-	-	-	-	-	-	-	X	X	X	X
125-100-250	-	X	-	-	-	-	-	-	X	X	X	-	-	-	-	-
125-100-250	-	-	X	-	-	-	-	X	X	X	-	-	-	-	-	-
125-100-315	-	X	-	-	-	-	-	-	-	X	X	X	X	-	-	-
125-100-315	-	-	X	-	-	-	-	-	X	X	-	-	-	-	-	-
125-100-400	-	X	-	-	-	-	-	-	-	-	-	X	X	X	X	-
150-125-200	X	-	-	-	-	-	-	-	-	-	-	-	-	X	X	X
150-125-200	-	X	-	-	-	-	-	-	X	X	X	-	-	-	-	-
150-125-200	-	-	X	-	-	-	-	X	X	-	-	-	-	-	-	-
150-125-250	-	X	-	-	-	-	-	-	-	X	X	X	-	-	-	-
150-125-250	-	-	X	-	-	-	-	-	X	X	-	-	-	-	-	-

Size	n			Motor (IEC)												
	2900	1450	960	71	80	90	100	112	132	160	180	200	225	250	280	315
	[rpm]	[rpm]	[rpm]													
150-125-315	-	X	-	-	-	-	-	-	-	-	-	X	X	X	-	-
150-125-400	-	X	-	-	-	-	-	-	-	-	-	X	X	X	X	X
200-150-200	-	X	-	-	-	-	-	-	X	X	X	X	-	-	-	-
200-150-200	-	-	X	-	-	-	-	-	X	X	-	-	-	-	-	-
200-150-250	-	X	-	-	-	-	-	-	X	X	X	X	X	-	-	-
200-150-250	-	-	X	-	-	-	-	-	X	X	X	-	-	-	-	-
200-150-315	-	X	-	-	-	-	-	-	-	-	-	X	X	X	X	-
200-150-400	-	X	-	-	-	-	-	-	-	-	-	-	X	X	X	X

**Overview of functions**

Overview of functions

Functions / Firmware	PumpDrive 2 Eco	PumpDrive 2
<b>Protective functions</b>		
Thermal motor protection	X	X
Mains voltage monitoring	X	X
Phase failure, motor side	X	X
Short-circuit monitoring, motor side (phase to phase and phase to earth)	X	X
Dynamic overload protection by speed limitation (i <sup>2</sup> t control)	X	X
Suppression of resonance frequencies	X	X
Cable integrity monitoring (Live Zero)	X	X
Protection against dry running and hydraulic blockage (sensorless due to learning function)	X	X
Dry running protection (external control signal)	X	X
Operating point estimation and characteristic curve control	X	X
<b>Open-loop control</b>		
Open-loop control mode	X	X
<b>Closed-loop control</b>		
Closed-loop control mode via integrated PID controller	X	X
Pressure/differential pressure control ( $\Delta p$ const)	X	X
Pressure/differential pressure control with dynamic pressure compensation ( $\Delta p$ var)	X	X
Flow rate control	X	X
Sensorless differential pressure control ( $\Delta p$ const) in a single-pump configuration	X	X
Sensorless differential pressure control with dynamic pressure compensation ( $\Delta p$ var) in a single-pump configuration	X	X
Sensorless flow rate control	X	X
Level control	X	X
Temperature control	X	X
Alternative setpoint	-	X
<b>Operation and monitoring (display)</b>		
Measured value display (pressure, head, speed, electric power, motor voltage, motor current, torque)	X	X
Fault history	X	X
Operating hours counter	X	X
Fault reporting via relay	X	X
<b>Frequency inverter functions</b>		
Programmable start ramps and stop ramps	X	X
Field-oriented control (vector control), V/f control	X	X
Configurable motor control method (asynchronous motor, KSB SuPremE)	X	X
Automatic motor adaptation (AMA)	X	X
Motor standstill heater	X	X
Manual-0-automatic mode	X	X
External OFF	X	X
External minimum speed	X	X
Sleep mode (stand-by mode)	X	X
Energy savings meter	-	X
<b>Pump functions</b>		
Flow rate estimation	X	X
M12 module with PumpMeter bus connection	X	X
M12 module for dual-pump configuration	X	X
M12 module for multiple pump configuration with up to 6 pumps	X	X
Functional check run	X	X
Integrated dual-pump configuration (1x100 % with redundant pump or 2x50 % without redundant pump)	X	X
Multiple pump configuration with up to 6 pumps	X	X
Waste water function: start-up at maximum speed	-	X
Waste water function: rinsing function	-	X
<b>Operation</b>		

Functions / Firmware	PumpDrive 2 Eco	PumpDrive 2
Control panel	✗ <sup>14)</sup>	✗
Commissioning wizard	✗ <sup>15)</sup>	✗
Favourites list	-	✗
Service interface	✗	✗

### Pressure limits and temperature limits

#### Test pressure limits and temperature limits

Pressure limits and temperature limits as a function of material variant

Material variant	Fluid temperature <sup>16)17)</sup>	Test pressure <sup>18)</sup>
	[°C]	[bar]
GG, GC	-30 to +140	21
GB	-30 to +140	21
SG, SB, SC	-30 to +140	25
BB	-30 to +140	15
CC	-30 to +140	21

#### In-service pressure limits and temperature limits

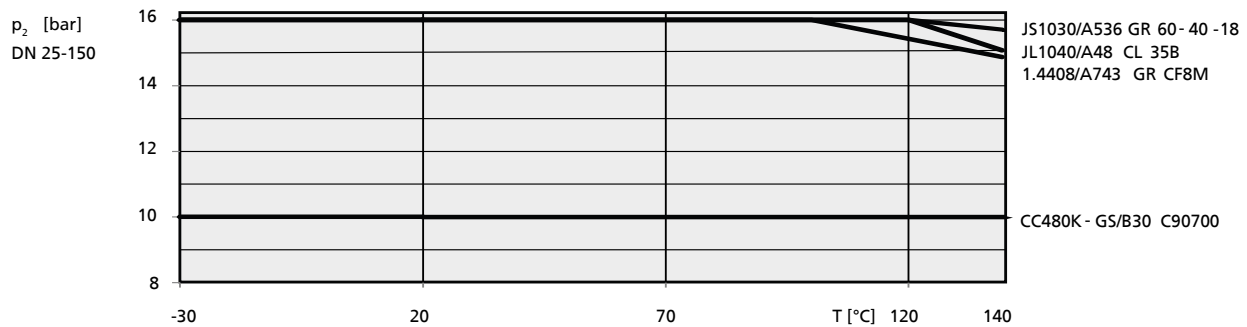


Fig. 1: Pump pressure limits and temperature limits DN 25 - DN 150

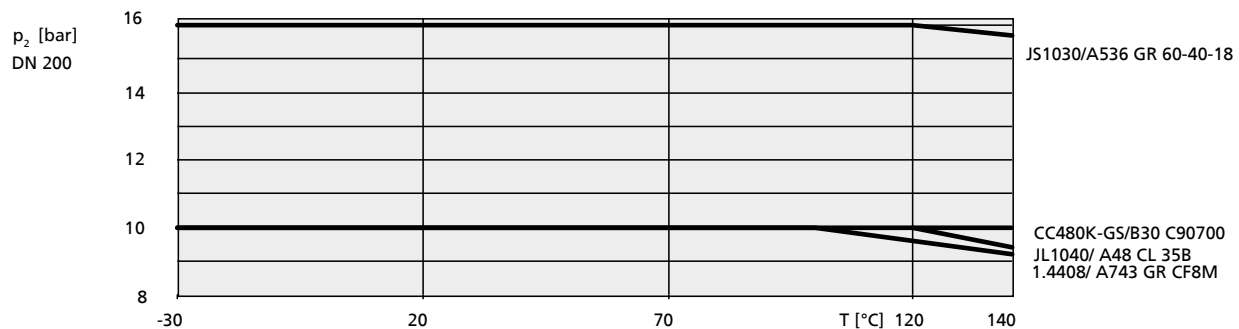


Fig. 2: Pump pressure limits and temperature limits DN 200

14) Some functions can only be parameterised and/or displayed using the KSB ServiceTool (see operating manual).

15) Only available via KSB ServiceTool and app

16) For hot water heating systems to DIN 4752, Section 4.5, application limits must be observed.

17) For fluid temperatures >140 °C use Etanorm SYT.

18) The casing components have been checked for leakage by means of internal pressure tests to ZN 1650 with water.

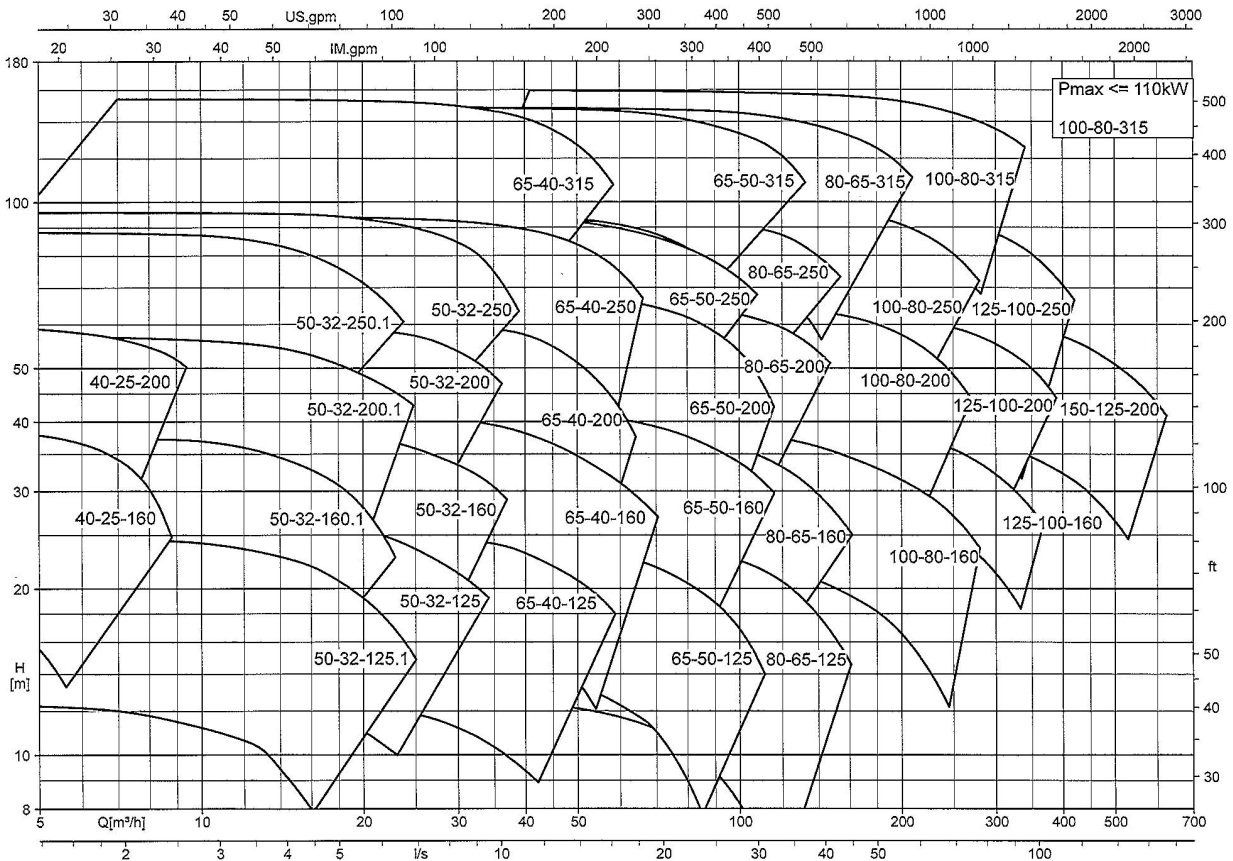
**Technical data**
**Etabloc**

## Technical data

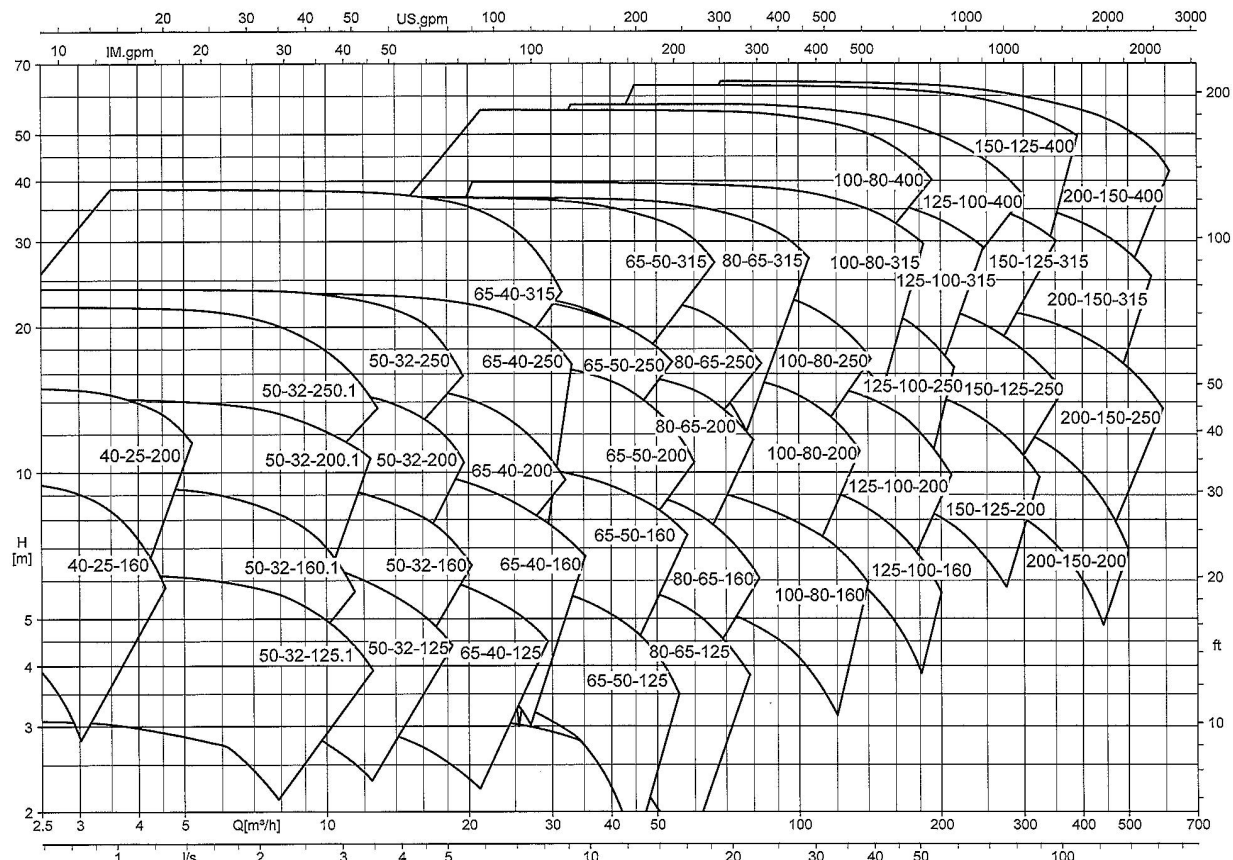
Etabloc	Shaft unit	Impeller					Speed limit	
		Impeller outlet width	Free passage	Impeller inlet diameter	Nominal impeller diameter		Maximum	Minimum
					Maximum	Minimum		
		[mm]					[rpm]	
040-025-160	WS_25	6,0	5,7	45,2	169	130	3600	500
040-025-200	WS_25	6,0	5,7	45,2	209	160	3600	500
050-032-125	WS_25	9,8	5,7	63,4	139	104	3600	500
050-032-125.1	WS_25	6,6	6,0	52,4	139	104	3600	500
050-032-160	WS_25	8,5	5,8	60,6	174	136	3600	500
050-032-160.1	WS_25	5,7	5,4	52,7	170	136	4400	500
050-032-200	WS_25	7,0	6,7	62,9	209	170	3700	500
050-032-200.1	WS_25	5,6	5,3	54,0	204	170	3800	500
050-032-250	WS_25	7,5	7,1	62,6	261	209	3600	500
050-032-250.1	WS_25	5,5	5,2	58,3	254	200	3600	500
065-040-125	WS_25	14,0	9,6	73,9	139	104	3600	500
065-040-160	WS_25	13,0	11,5	70,0	174	128	4400	500
065-040-200	WS_25	9,4	8,9	69,4	209	165	3700	500
065-040-250	WS_25	8,4	8,0	74,1	260	200	3600	500
065-040-315	WS_35	7,5	7,1	75,3	326	260	3000	500
065-050-125	WS_25	19,9	11,6	87,9	142	112	4500	500
065-050-160	WS_25	16,9	11,6	86,9	174	128	4400	500
065-050-200	WS_25	13,8	11,9	83,1	219	170	3600	500
065-050-250	WS_25	10,5	10,0	84,0	260	215	3600	500
065-050-315	WS_35	10,0	9,5	87,0	323	265	3000	500
080-065-125	WS_25	25,8	12,9	99,0	141	109	3900	500
080-065-160	WS_25	21,0	12,2	92,0	174	132	3900	500
080-065-200	WS_25	17,0	13,3	99,7	219	175	3600	500
080-065-250	WS_35	15,1	14,3	101,0	260	215	3600	500
080-065-315	WS_35	13,7	14,0	108,2	320	260	3000	500
100-080-160	WS_25	31,6	15,1	124,0	174	138	3600	500
100-080-200	WS_35	24,5	15,2	115,0	219	180	3600	500
100-080-250	WS_35	19,0	15,8	115,0	269	215	3600	500
100-080-315	WS_35	18,7	17,8	115,6	334	269	3000	500
100-080-400	WS_55	15,0	14,3	130,0	398	330	1900	500
125-100-160	WS_35	37,6	16,4	135,0	185	162	3600	500
125-100-200	WS_35	32,5	17,9	142,0	219	179	3600	500
125-100-250	WS_35	27,0	18,8	145,0	269	210	3600	500
125-100-315	WS_35	23,0	19,9	142,0	334	270	3000	500
125-100-400	WS_55	18,0	17,1	142,8	401	329	1900	500
150-125-200	WS_35	40,7	21,1	159,0	224	182	3600	500
150-125-250	WS_35	37,0	22,4	162,4	269	218	2000	500
150-125-315	WS_55	30,9	22,6	162,0	334	270	1900	500
150-125-400	WS_55	25,9	20,9	162,4	419	330	1800	500
200-150-200	WS_35	59,5	25,2	180,0	224	188	2100	500
200-150-250	WS_35	48,8	23,0	191,0	269	220	1800	500
200-150-315	WS_55	39,7	26,9	191,5	334	264	1800	500
200-150-400	WS_55	33,0	23,8	191,4	419	330	1800	500

Selection charts

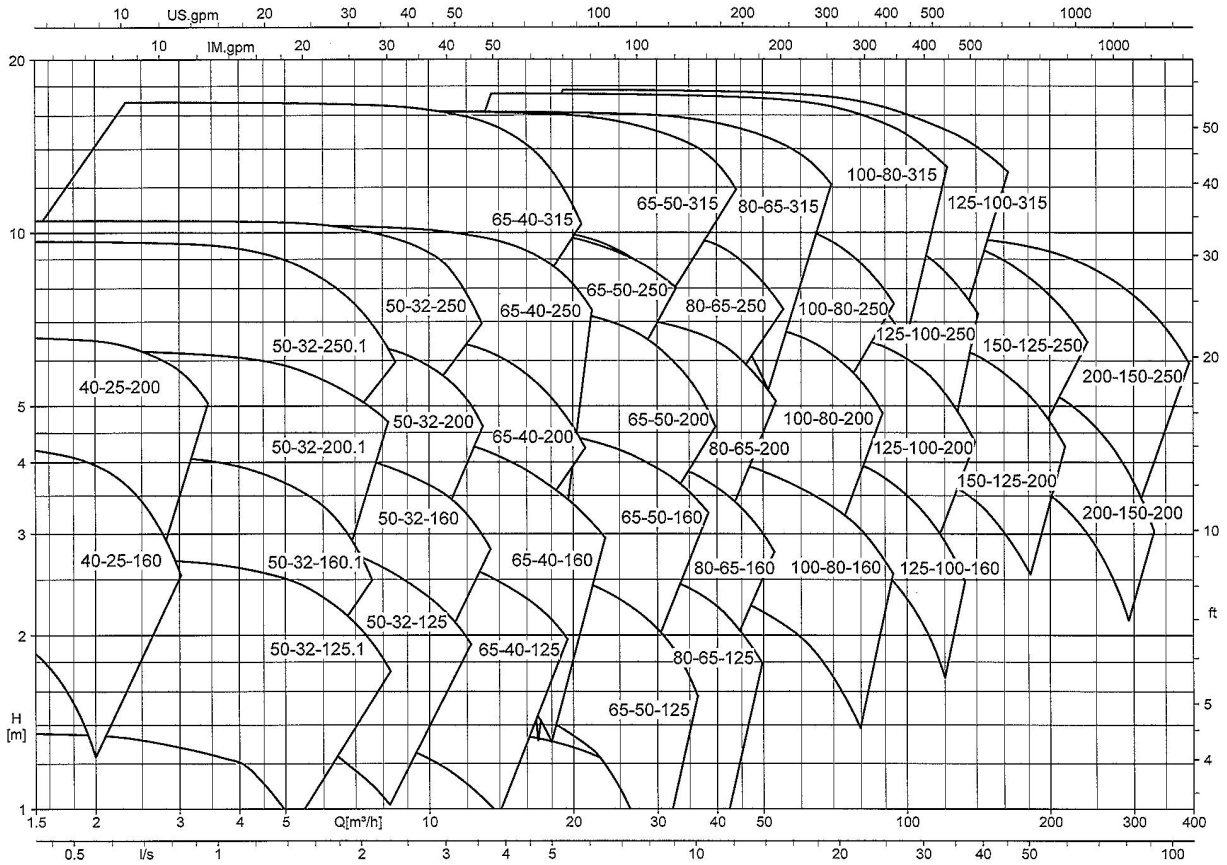
Etabloc, n = 2900 rpm (fixed speed version)



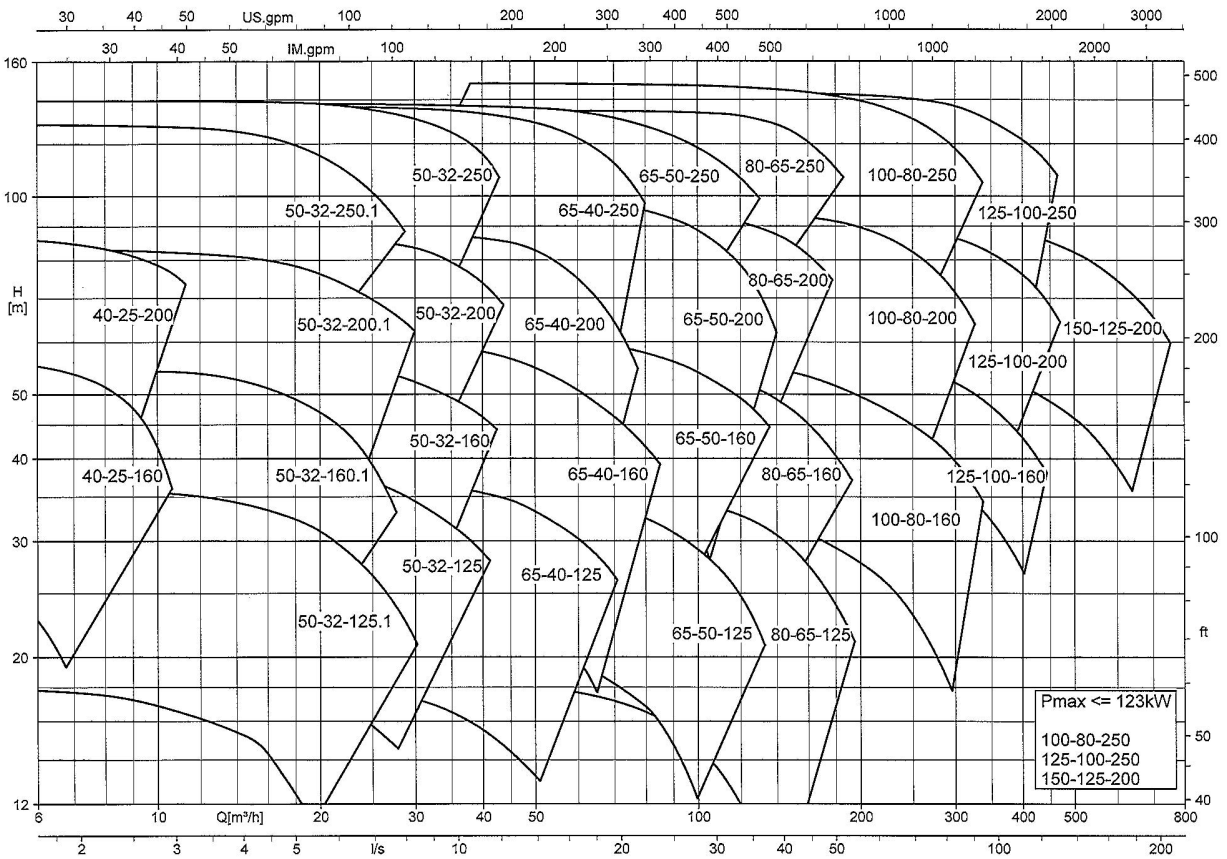
Etabloc, n = 1450 rpm (fixed speed version)



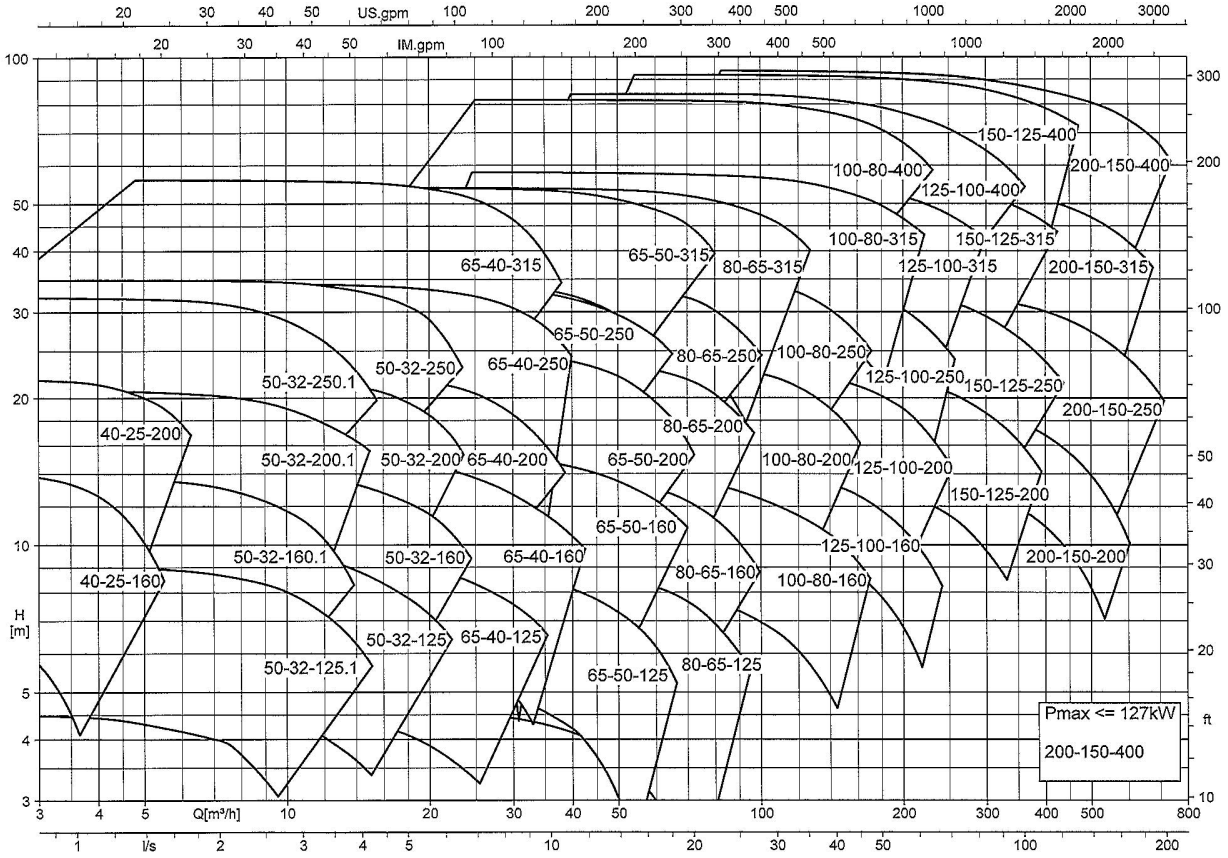
**Etabloc, n = 960 rpm (fixed speed version)**



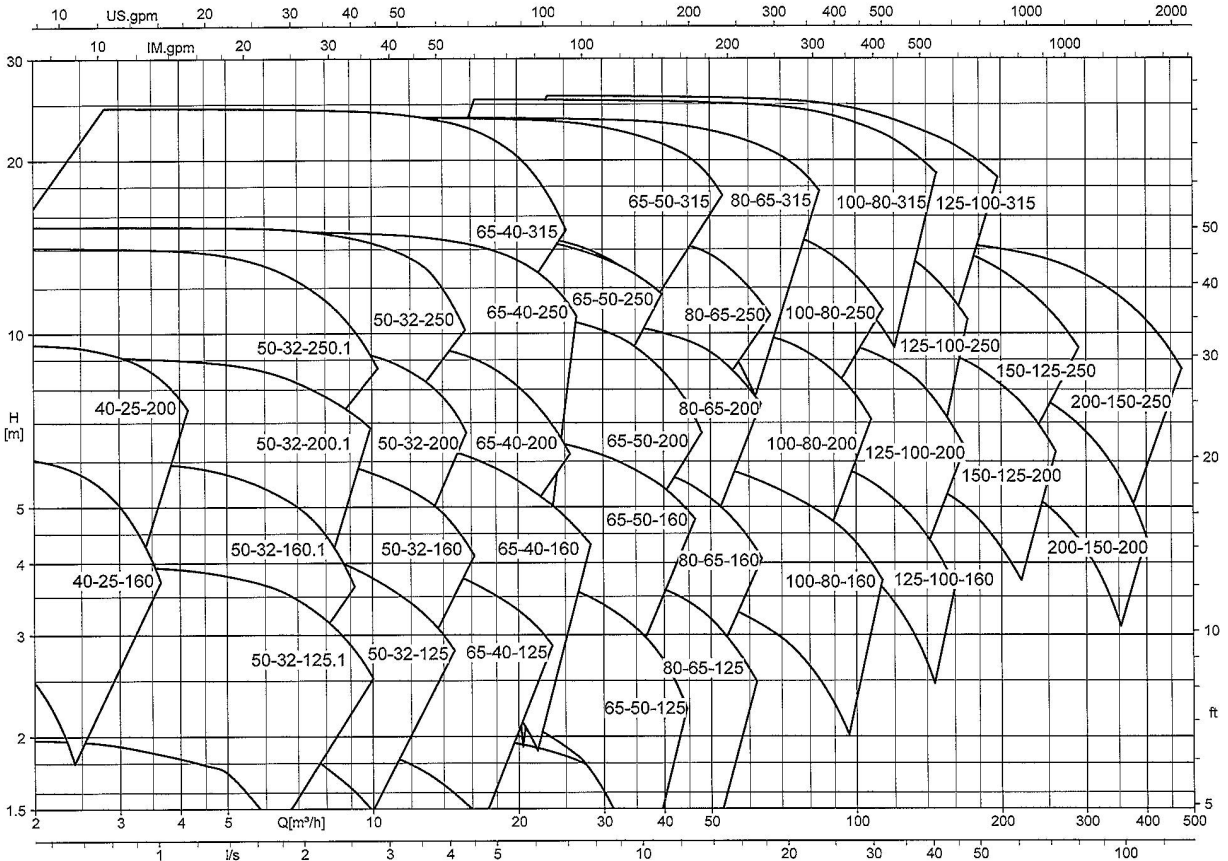
**Etabloc, n = 3500 rpm (fixed speed version)**



**Etabloc, n = 1750 rpm (fixed speed version)**



**Etabloc, n = 1160 rpm (fixed speed version)**



### Etabloc (variable speed version)

#### Related documents

Information/documents

Document	Reference number
Characteristic curves booklet Variable speed version Etanorm / Etabloc	1311.452

#### Characteristic curves

### Etabloc (fixed speed version), 50 Hz

#### Related documents

Information/documents

Document	Reference number
Characteristic curves booklet (50 Hz) Fixed speed version Etanorm, Etanorm SYT Etanorm V Etabloc, Etabloc SYT Etanorm-R, Etanorm-RSY	1311.45

### Etabloc (fixed speed version), 60 Hz

#### Related documents

Information/documents

Document	Reference number
Characteristic curves booklet (60 Hz) Fixed speed version Etanorm, Etanorm SYT Etanorm V Etabloc, Etabloc SYT Etanorm-R, Etanorm-RSY	1311.46

### Etabloc (variable speed version)

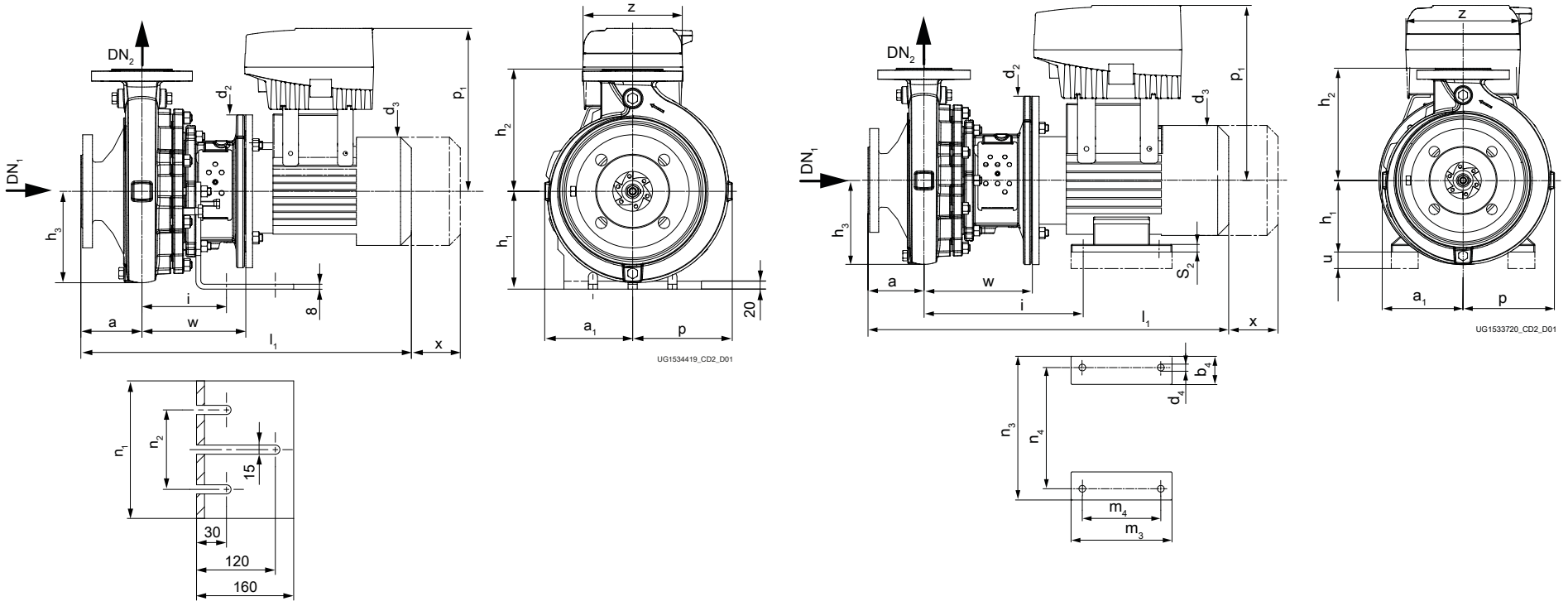
#### Related documents

Information/documents

Document	Reference number
Characteristic curves booklet Variable speed version Etanorm / Etabloc	1311.452

Dimensions

Pump set with support foot and motor foot (variable speed version),  $\leq 22$  kW,  $n = 2900$  rpm /  $3500$  rpm



Dimensions [mm]

Etabloc PumpDrive (up to motor size 112)

Etabloc PumpDrive (from motor size 132 to 180)

n = 2900 rpm / n = 3500 rpm, material variants GG / GB / GC

Dimensions of Etabloc ≤ 22 kW<sup>19)</sup>

Values a<sub>1</sub>, b<sub>4</sub>, d<sub>3</sub>, l<sub>1</sub>, m<sub>3</sub>, n<sub>3</sub> and p may vary slightly for production-related reasons.

Size	Motor (IEC)	n		DN <sub>1</sub> <sub>20)</sub>	DN <sub>2</sub> <sub>20)</sub>	a <sub>20)</sub>	a <sub>1</sub>	b <sub>4</sub>	d <sub>2</sub>	d <sub>3</sub>	d <sub>4</sub>	h <sub>1</sub>	h <sub>2</sub> <sub>20)</sub>	h <sub>3</sub>	h <sub>4</sub>	i <sub>21)</sub>	i <sub>22)</sub>	l <sub>1</sub> <sub>21)</sub>	l <sub>1</sub> <sub>22)</sub>	m <sub>3</sub>	m <sub>4</sub>	n <sub>1</sub>	n <sub>2</sub>	n <sub>3</sub>	n <sub>4</sub>	p	p <sub>1</sub>	s <sub>2</sub>	u <sub>23)</sub>	w <sub>21)</sub>	w <sub>22)</sub>	x <sub>20)</sub>	z
		2900	3500																														
		[rpm]																															
40-25-160/ 00072	80M	X	-	40	25	80	118	-	200	154	-	160	160	107	-	118	-	469	-	-	-	225	130	-	-	118	294	-	-	156	-	100	190
40-25-160/ 00112	80M	X	X	40	25	80	118	-	200	154	-	160	160	107	-	118	-	469	-	-	-	225	130	-	-	118	294	-	-	156	-	100	190
40-25-160/ 00152	90S	X	X	40	25	80	118	-	200	174	-	160	160	107	-	118	118	506	550	-	-	225	130	-	-	118	299	-	-	156	200	100	190
40-25-160/ 00222	90L	X	X	40	25	80	118	-	200	174	-	160	160	107	-	118	118	553	596,5	-	-	225	130	-	-	118	299	-	-	156	200	100	211
40-25-160/ 00302	100L	-	X	40	25	80	118	-	250	192	-	160	160	107	-	118	118	580	624	-	-	225	130	-	-	118	338	-	-	170	214	100	211
40-25-160/ 00402	112M	-	X	40	25	80	118	-	250	216	-	160	160	107	-	118	118	610	653,5	-	-	225	130	-	-	118	353	-	-	170	214	100	211
40-25-200/ 00152	90S	X	-	40	25	80	142	-	200	174	-	160	180	137	-	118	118	506	550	-	-	225	130	-	-	142	299	-	-	156	200	100	190
40-25-200/ 00222	90L	X	-	40	25	80	142	-	200	174	-	160	180	137	-	118	118	553	596,5	-	-	225	130	-	-	142	299	-	-	156	200	100	211
40-25-200/ 00302	100L	X	X	40	25	80	142	-	250	192	-	160	180	137	-	118	118	580	624	-	-	225	130	-	-	142	338	-	-	170	214	100	211
40-25-200/ 00402	112M	X	X	40	25	80	142	-	250	216	-	160	180	137	-	118	118	610	653,5	-	-	225	130	-	-	142	353	-	-	170	214	100	211
40-25-200/ 00552	132S	X	X	40	25	80	142	55	300	258	12	-	180	137	132	282	326	658	702	180	140	-	-	260	216	142	413	16	20	193	237	100	280
40-25-200/ 00752	132S	-	X	40	25	80	142	55	300	258	12	-	180	137	132	282	326	658	702	180	140	-	-	260	216	142	413	16	20	193	237	100	280
50-32-125/ 00112	80M	X	-	50	32	80	115	-	200	154	-	160	140	100	-	118	-	469	-	-	-	225	130	-	-	115	294	-	-	156	-	100	190
50-32-125/ 00152	90S	X	X	50	32	80	115	-	200	174	-	160	140	100	-	118	118	506	550	-	-	225	130	-	-	115	299	-	-	156	200	100	190
50-32-125/ 00222	90L	X	X	50	32	80	115	-	200	174	-	160	140	100	-	118	118	553	596,5	-	-	225	130	-	-	115	299	-	-	156	200	100	211
50-32-125/ 00302	100L	X	X	50	32	80	115	-	250	192	-	160	140	100	-	118	118	580	624	-	-	225	130	-	-	115	338	-	-	170	214	100	211
50-32-125/ 00402	112M	-	X	50	32	80	115	-	250	216	-	160	140	100	-	118	118	610	653,5	-	-	225	130	-	-	115	353	-	-	170	214	100	211
50-32-125/ 00552	132S	-	X	50	32	80	115	55	300	258	12	-	140	100	132	282	326	658	702	180	140	-	-	260	216	115	413	16	20	193	237	100	280
50-32-125.1/ 00052	71M	X	-	50	32	80	116	-	160	136	-	160	140	100	-	118	-	441	-	-	-	225	130	-	-	116	282	-	-	136	-	100	190
50-32-125.1/ 00072	80M	X	-	50	32	80	116	-	200	154	-	160	140	100	-	118	-	469	-	-	-	225	130	-	-	116	294	-	-	156	-	100	190
50-32-125.1/ 00112	80M	X	-	50	32	80	116	-	200	154	-	160	140	100	-	118	-	469	-	-	-	225	130	-	-	116	294	-	-	156	-	100	190
50-32-125.1/ 00152	90S	X	-	50	32	80	116	-	200	174	-	160	140	100	-	118	118	506	550	-	-	225	130	-	-	116	299	-	-	156	200	100	190
50-32-125.1/ 00222	90L	X	-	50	32	80	116	-	200	174	-	160	140	100	-	118	118	553	596,5	-	-	225	130	-	-	116	299	-	-	156	200	100	211
50-32-125.1/ 00302	100L	-	X	50	32	80	116	-	250	192	-	160	140	100	-	118	118	580	624	-	-	225	130	-	-	116	338	-	-	170	214	100	211
50-32-125.1/ 00402	112M	-	X	50	32	80	116	-	250	216	-	160	140	100	-	118	118	610	653,5	-	-	225	130	-	-	116	353	-	-	170	214	100	211
50-32-125.1/ 00552	132S	-	X	50	32	80	116	55	300	258	12	-	140	100	132	282	326	658	702	180	140	-	-	260	216	116	413	16	20	193	237	100	280
50-32-160/ 00222	90L	X	-	50	32	80	118	-	200	174	-	160	160	115	-	118	118	553	596,5	-	-	225	130	-	-	128	299	-	-	156	200	100	211
50-32-160/ 00302	100L	X	X	50	32	80	118	-	250	192	-	160	160	115	-	118	118	580	624	-	-	225	130	-	-	128	338	-	-	170	214	100	211
50-32-160/ 00402	112M	X	X	50	32	80	118	-	250	216	-	160	160	115	-	118	118	610	653,5	-	-	225	130	-	-	128	353	-	-	170	214	100	211
50-32-160/ 00552	132S	-	X	50	32	80	118	55	300	258	12	-	160	115	132	282	326	658	702	180	140	-	-	260	216	128	413	16	20	193	237	100	280
50-32-160/ 00752	132S	-	X	50	32	80	118	55	300	258	12	-	160	115	132	282	326	658	702	180	140	-	-	260	216	128	413	16	20	193	237	100	280

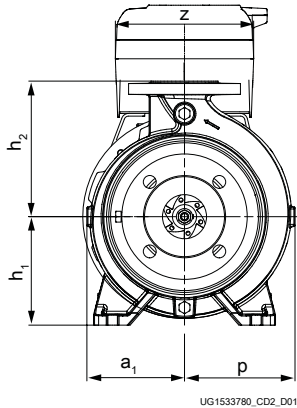
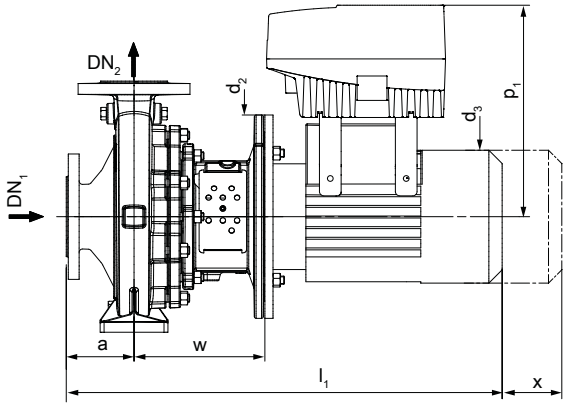
19) Tolerances of mating dimensions to EN 735  
 20) Dimensions to EN 733  
 21) Dimension with single mechanical seal (A, AV, IA, EA, FA)  
 22) Dimension with double mechanical seal (DB, TI)  
 23) Motor feet must be shimmed.

Size	Motor (IEC)	n		DN <sub>1</sub> <sub>20)</sub>	DN <sub>2</sub> <sub>20)</sub>	a <sub>20)</sub>	a <sub>1</sub>	b <sub>4</sub>	d <sub>2</sub>	d <sub>3</sub>	d <sub>4</sub>	h <sub>1</sub>	h <sub>2</sub> <sub>20)</sub>	h <sub>3</sub>	h <sub>4</sub>	i <sub>21)</sub>	i <sub>22)</sub>	l <sub>1</sub> <sub>21)</sub>	l <sub>1</sub> <sub>22)</sub>	m <sub>3</sub>	m <sub>4</sub>	n <sub>1</sub>	n <sub>2</sub>	n <sub>3</sub>	n <sub>4</sub>	p	p <sub>1</sub>	s <sub>2</sub>	u <sub>23)</sub>	w <sub>21)</sub>	w <sub>22)</sub>	x <sub>20)</sub>	z			
		2900	3500																																	
		[rpm]		[mm]																																
50-32-160.1/ 00152	90S	X	-	50	32	80	116	-	200	174	-	160	160	111	-	118	118	506	550	-	-	225	130	-	-	121	299	-	-	156	200	100	190			
50-32-160.1/ 00222	90L	X	X	50	32	80	116	-	200	174	-	160	160	111	-	118	118	553	596,5	-	-	225	130	-	-	121	299	-	-	156	200	100	211			
50-32-160.1/ 00302	100L	X	X	50	32	80	116	-	250	192	-	160	160	111	-	118	118	580	624	-	-	225	130	-	-	121	338	-	-	170	214	100	211			
50-32-160.1/ 00402	112M	X	X	50	32	80	116	-	250	216	-	160	160	111	-	118	118	610	653,5	-	-	225	130	-	-	121	353	-	-	170	214	100	211			
50-32-160.1/ 00552	132S	-	X	50	32	80	116	55	300	258	12	-	160	111	132	282	326	658	702	180	140	-	-	260	216	121	413	16	20	193	237	100	280			
50-32-160.1/ 00752	132S	-	X	50	32	80	116	55	300	258	12	-	160	111	132	282	326	658	702	180	140	-	-	260	216	121	413	16	20	193	237	100	280			
50-32-160.1/ 01102	160M	-	X	50	32	80	116	70	350	310	15	-	160	111	160	334	378	811	855	264	210	-	-	318	254	121	444	23	20	226	270	100	280			
50-32-200/ 00402	112M	X	-	50	32	80	142	-	250	216	-	160	180	137	-	118	118	610	653,5	-	-	225	130	-	-	143	353	-	-	170	214	100	211			
50-32-200/ 00552	132S	X	-	50	32	80	142	55	300	258	12	-	180	137	132	282	326	658	702	180	140	-	-	260	216	143	413	16	20	193	237	100	280			
50-32-200/ 00752	132S	X	X	50	32	80	142	55	300	258	12	-	180	137	132	282	326	658	702	180	140	-	-	260	216	143	413	16	20	193	237	100	280			
50-32-200/ 01102	160M	X	X	50	32	80	142	70	350	310	15	-	180	137	160	334	378	811	855	264	210	-	-	318	254	143	444	23	20	226	270	100	280			
50-32-200/ 01502	160M	-	X	50	32	80	142	70	350	310	15	-	180	137	160	334	378	811	855	264	210	-	-	318	254	143	525	23	20	226	270	100	350			
50-32-200.1/ 00302	100L	X	-	50	32	80	142	-	250	192	-	160	180	136	-	118	118	580	624	-	-	225	130	-	-	142	338	-	-	170	214	100	211			
50-32-200.1/ 00402	112M	X	-	50	32	80	142	-	250	216	-	160	180	136	-	118	118	610	653,5	-	-	225	130	-	-	142	353	-	-	170	214	100	211			
50-32-200.1/ 00552	132S	X	X	50	32	80	142	55	300	258	12	-	180	136	132	282	326	658	702	180	140	-	-	260	216	142	413	16	20	193	237	100	280			
50-32-200.1/ 00752	132S	X	X	50	32	80	142	55	300	258	12	-	180	136	132	282	326	658	702	180	140	-	-	260	216	142	413	16	20	193	237	100	280			
50-32-200.1/ 01102	160M	-	X	50	32	80	142	70	350	310	15	-	180	136	160	334	378	811	855	264	210	-	-	318	254	142	444	23	20	226	270	100	280			
50-32-200.1/ 01502	160M	-	X	50	32	80	142	70	350	310	15	-	180	136	160	334	378	811	855	264	210	-	-	318	254	142	525	23	20	226	270	100	350			
50-32-250/ 00752	132S	X	-	50	32	100	169	55	300	358	12	-	225	166	132	282	326	678	722	180	140	-	-	260	216	178	413	16	20	193	237	100	280			
50-32-250/ 01102	160M	X	X	50	32	100	169	70	350	310	15	-	225	166	160	334	378	831	875	264	210	-	-	318	254	178	444	23	20	226	270	100	280			
50-32-250/ 01502	160M	X	X	50	32	100	169	70	350	310	15	-	225	166	160	334	378	831	875	264	210	-	-	318	254	178	525	23	20	226	270	100	350			
50-32-250/ 01852	160L	-	X	50	32	100	169	70	350	310	15	-	225	166	160	334	378	876	920	308	254	-	-	318	254	178	525	23	20	226	270	100	350			
50-32-250/ 02202	180M	-	X	50	32	100	169	80	350	347	15	-	225	166	180	347	391	961	1005	291	241	-	-	350	279	178	577	23	-	226	270	100	350			
50-32-250.1/ 00552	132S	X	-	50	32	100	168	55	300	258	12	-	225	166	132	282	326	678	722	180	140	-	-	260	216	168	413	16	20	193	237	100	280			
50-32-250.1/ 00752	132S	X	X	50	32	100	168	55	300	258	12	-	225	166	132	282	326	678	722	180	140	-	-	260	216	168	413	16	20	193	237	100	280			
50-32-250.1/ 01102	160M	X	X	50	32	100	168	70	350	310	15	-	225	166	160	334	378	831	875	264	210	-	-	318	254	168	444	23	20	226	270	100	280			
50-32-250.1/ 01502	160M	X	X	50	32	100	168	70	350	310	15	-	225	166	160	334	378	831	875	264	210	-	-	318	254	168	525	23	20	226	270	100	350			
50-32-250.1/ 01852	160L	-	X	50	32	100	168	70	350	310	15	-	225	166	160	334	378	876	920	308	254	-	-	318	254	168	525	23	20	226	270	100	350			
65-40-125/ 00152	90S	X	-	65	40	80	117	-	200	174	-	160	140	107	-	118	118	506	550	-	-	225	130	-	-	117	299	-	-	156	200	100	190			
65-40-125/ 00222	90L	X	-	65	40	80	117	-	200	174	-	160	140	107	-	118	118	553	596,5	-	-	225	130	-	-	117	299	-	-	156	200	100	211			
65-40-125/ 00302	100L	X	-	65	40	80	117	-	250	192	-	160	140	107	-	118	118	580	624	-	-	225	130	-	-	117	338	-	-	170	214	100	211			
65-40-125/ 00402	112M	X	X	65	40	80	117	-	250	216	-	160	140	107	-	118	118	610	653,5	-	-	225	130	-	-	117	353	-	-	170	214	100	211			
65-40-125/ 00552	132S	-	X	65	40	80	117	55	300	258	12	-	140	107	132	282	326	658	702	180	140	-	-	260	216	117	413	16	20	193	237	100	280			
65-40-125/ 00752	132S	-	X	65	40	80	117	55	300	258	12	-	140	107	132	282	326	658	702	180	140	-	-	260	216	117	413	16	20	193	237	100	280			
65-40-125/ 01102	160M	-	X	65	40	80	117	70	350	310	15	-	140	107	160	334	378	811	855	264	210	-	-	318	254	117	444	23	20	226	270	100	280			
65-40-160/ 00302	100L	X	-	65	40	80	119	-	250	192	-	160	160	119	-	118	118	580	624	-	-	225	130	-	-	134	338	-	-	170	214	100	211			
65-40-160/ 00402	112M	X	-	65	40	80	119	-	250	216	-	160	160	119	-	118	118	610	653,5	-	-	225	130	-	-	134	353	-	-	170	214	100	211			
65-40-160/ 00552	132S	X	X	65	40	80	119	55	300	258	12	-	160	119	132	282	326	658	702	180	140	-	-	260	216	134	413	16	20	193	237	100	280			
65-40-160/ 00752	132S	X	X	65	40	80	119	55	300	258	12	-	160	119	132	282	326	658	702	180	140	-	-	260	216	134	413	16	20	193	237	100	280			
65-40-160/ 01102	160M	-	X	65	40	80	119	70	350	310	15	-	160	119	160	334	378	811	855	264	210	-	-	318	254	134	444	23	20	226	270	100	280			
65-40-160/ 01502	160M	-	X	65	40	80	119	70	350	310	15	-	160	119	160	334	378	811	855	264	210	-	-	318	254	134	525	23	20	226	270	100	350			

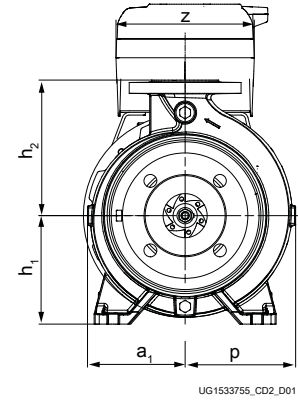
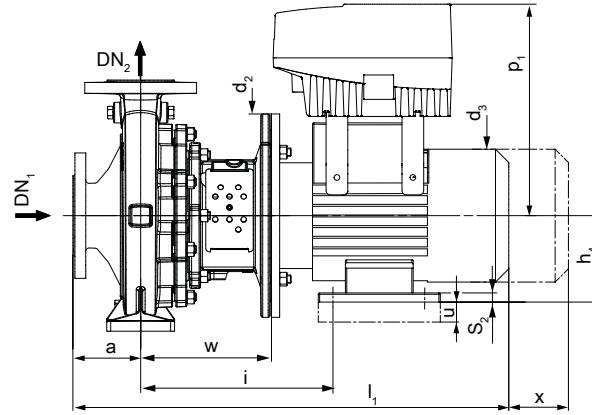
Size	Motor (IEC)	n		DN <sub>1</sub> (20)	DN <sub>2</sub> (20)	a (20)	a <sub>1</sub>	b <sub>4</sub>	d <sub>2</sub>	d <sub>3</sub>	d <sub>4</sub>	h <sub>1</sub>	h <sub>2</sub> (20)	h <sub>3</sub>	h <sub>4</sub>	i (21)	i (22)	l <sub>1</sub> (21)	l <sub>1</sub> (22)	m <sub>3</sub>	m <sub>4</sub>	n <sub>1</sub>	n <sub>2</sub>	n <sub>3</sub>	n <sub>4</sub>	p	p <sub>1</sub>	s <sub>2</sub>	u (23)	w (21)	w (22)	x (20)	z
		2900	3500																														
		[rpm]																															
65-40-200/00552	132S	X	-	65	40	100	142	55	300	258	12	-	180	141	132	282	326	678	722	180	140	-	-	260	216	155	413	16	20	193	237	100	280
65-40-200/00752	132S	X	-	65	40	100	142	55	300	258	12	-	180	141	132	282	326	678	722	180	140	-	-	260	216	155	413	16	20	193	237	100	280
65-40-200/01102	160M	X	X	65	40	100	142	70	350	310	15	-	180	141	160	334	378	831	875	264	210	-	-	318	254	155	444	23	20	226	270	100	280
65-40-200/01502	160M	X	X	65	40	100	142	70	350	310	15	-	180	141	160	334	378	831	875	264	210	-	-	318	254	155	525	23	20	226	270	100	350
65-40-200/01852	160L	X	X	65	40	100	142	70	350	310	15	-	180	141	160	334	378	876	920	308	254	-	-	318	254	155	525	23	20	226	270	100	350
65-40-200/02202	180M	X	X	65	40	100	142	80	350	347	15	-	180	141	180	347	391	961	1005	291	241	-	-	350	279	155	577	23	-	226	270	100	350
65-40-250/01102	160M	X	-	65	40	100	169	70	350	310	15	-	225	166	160	334	378	831	875	264	210	-	-	318	254	179	444	23	20	226	270	100	280
65-40-250/01502	160M	X	X	65	40	100	169	70	350	310	15	-	225	166	160	334	378	831	875	264	210	-	-	318	254	179	525	23	20	226	270	100	350
65-40-250/01852	160L	X	X	65	40	100	169	70	350	310	15	-	225	166	160	334	378	876	920	308	254	-	-	318	254	179	525	23	20	226	270	100	350
65-40-250/02202	180M	X	X	65	40	100	169	80	350	347	15	-	225	166	180	347	391	961	1005	291	241	-	-	350	279	179	577	23	-	226	270	100	350
65-40-315/01852	160L	X	-	65	40	125	207	70	350	310	15	-	250	204	160	354	408	921	975	308	254	-	-	318	254	207	525	23	20	246	300	100	350
65-40-315/02202	180M	X	-	65	40	125	207	80	350	347	15	-	250	204	180	367	421	1006	1060	291	241	-	-	350	279	207	577	23	-	246	300	100	350
65-50-125/00302	100L	X	-	65	50	100	117	-	250	192	-	160	160	112	-	118	118	600	644	-	-	225	130	-	-	130	338	-	-	170	214	100	211
65-50-125/00402	112M	X	-	65	50	100	117	-	250	216	-	160	160	112	-	118	118	630	673,5	-	-	225	130	-	-	130	353	-	-	170	214	100	211
65-50-125/00552	132S	X	X	65	50	100	117	55	300	258	12	-	160	112	132	282	326	678	722	180	140	-	-	260	216	130	413	16	20	193	237	100	280
65-50-125/00752	132S	X	X	65	50	100	117	55	300	258	12	-	160	112	132	282	326	678	722	180	140	-	-	260	216	130	413	16	20	193	237	100	280
65-50-125/01102	160M	-	X	65	50	100	117	70	350	310	15	-	160	112	160	334	378	831	875	264	210	-	-	318	254	130	444	23	20	226	270	100	280
65-50-125/01502	160M	-	X	65	50	100	117	70	350	310	15	-	160	112	160	334	378	831	875	264	210	-	-	318	254	130	525	23	20	226	270	100	350
65-50-160/00552	132S	X	-	65	50	100	128	55	300	258	12	-	180	133	132	282	326	678	722	180	140	-	-	260	216	149	413	16	20	193	237	100	280
65-50-160/00752	132S	X	-	65	50	100	128	55	300	258	12	-	180	133	132	282	326	678	722	180	140	-	-	260	216	149	413	16	20	193	237	100	280
65-50-160/01102	160M	X	X	65	50	100	128	70	350	310	15	-	180	133	160	334	378	831	875	264	210	-	-	318	254	149	444	23	20	226	270	100	280
65-50-160/01502	160M	-	X	65	50	100	128	70	350	310	15	-	180	133	160	334	378	831	875	264	210	-	-	318	254	149	525	23	20	226	270	100	350
65-50-160/01852	160L	-	X	65	50	100	128	70	350	310	15	-	180	133	160	334	378	876	920	308	254	-	-	318	254	149	525	23	20	226	270	100	350
65-50-160/02202	180M	-	X	65	50	100	128	80	350	347	15	-	180	133	180	347	391	961	1005	291	241	-	-	350	279	149	577	23	-	226	270	100	350
65-50-200/01102	160M	X	-	65	50	100	144	70	350	310	15	-	200	150	160	334	378	831	875	264	210	-	-	318	254	163	444	23	20	226	270	100	280
65-50-200/01502	160M	X	-	65	50	100	144	70	350	310	15	-	200	150	160	334	378	831	875	264	210	-	-	318	254	163	525	23	20	226	270	100	350
65-50-200/01852	160L	X	-	65	50	100	144	70	350	310	15	-	200	150	160	334	378	876	920	308	254	-	-	318	254	163	525	23	20	226	270	100	350
65-50-200/02202	180M	X	X	65	50	100	144	80	350	347	15	-	200	150	180	347	391	961	1005	291	241	-	-	350	279	163	577	23	-	226	270	100	350
65-50-250/01502	160M	X	-	65	50	100	170	70	350	310	15	-	225	172	160	334	378	831	875	264	210	-	-	318	254	186	525	23	20	226	270	100	350
65-50-250/01852	160L	X	-	65	50	100	170	70	350	310	15	-	225	172	160	334	378	876	920	308	254	-	-	318	254	186	525	23	20	226	270	100	350
65-50-250/02202	180M	X	X	65	50	100	170	80	350	347	15	-	225	172	180	347	391	961	1005	291	241	-	-	350	279	186	577	23	-	226	270	100	350
80-65-125/00402	112M	X	-	80	65	100	117	-	250	216	-	160	180	127	-	118	118	630	673,5	-	-	225	130	-	-	150	353	-	-	170	214	100	211
80-65-125/00552	132S	X	-	80	65	100	117	55	300	258	12	-	180	127	132	282	326	678	722	180	140	-	-	260	216	150	413	16	20	193	237	100	280
80-65-125/00752	132S	X	X	80	65	100	117	55	300	258	12	-	180	127	132	282	326	678	722	180	140	-	-	260	216	150	413	16	20	193	237	100	280
80-65-125/01102	160M	X	X	80	65	100	117	70	350	310	15	-	180	127	160	334	378	831	875	264	210	-	-	318	254	150	444	23	20	226	270	100	280
80-65-125/01502	160M	-	X	80	65	100	117	70	350	310	15	-	180	127	160	334	378	831	875	264	210	-	-	318	254	150	525	23	20	226	270	100	350
80-65-125/01852	160L	-	X	80	65	100	117	70	350	310	15	-	180	127	160	334	378	876	920	308	254	-	-	318	254	150	525	23	20	226	270	100	350
80-65-160/00752	132S	X	-	80	65	100	132	55	300	258	12	-	200	140	132	282	326	678	722	180	140	-	-	260	216	160	413	16	20	193	237	100	280
80-65-160/01102	160M	X	-	80	65	100	132	70	350	310	15	-	200	140	160	334	378	831	875	264	210	-	-	318	254	160	444	23	20	226	270	100	280
80-65-160/01502	160M	X	X	80	65	100	132	70	350	310	15	-	200	140	160	334	378	831	875	264	210	-	-	318	254	160	525	23	20	226	270	100	350
80-65-160/01852	160L	-	X	80	65	100	132	70	350	310	15	-	200	140	160	334	378	876	920	308	254	-	-	318	254	160	525	23	20	226	270	100	350

Size	Motor (IEC)	n		DN <sub>1</sub> <small>20</small>	DN <sub>2</sub> <small>20</small>	a <small>20</small>	a <sub>1</sub>	b <sub>4</sub>	d <sub>2</sub>	d <sub>3</sub>	d <sub>4</sub>	h <sub>1</sub>	h <sub>2</sub> <small>20</small>	h <sub>3</sub>	h <sub>4</sub>	i <small>21</small>	i <small>22</small>	l <sub>1</sub> <small>21</small>	l <sub>1</sub> <small>22</small>	m <sub>3</sub>	m <sub>4</sub>	n <sub>1</sub>	n <sub>2</sub>	n <sub>3</sub>	n <sub>4</sub>	p	p <sub>1</sub>	s <sub>2</sub>	u <small>23</small>	w <small>21</small>	w <small>22</small>	x <small>20</small>	z
		2900	3500																														
		[rpm]																															
80-65-160/ 02202	180M	-	✗	80	65	100	132	80	350	347	15	-	200	140	180	347	391	961	1005	291	241	-	-	350	279	160	577	23	-	226	270	100	350
80-65-200/ 01502	160M	✗	-	80	65	100	155	70	350	310	15	-	225	161	160	334	378	831	875	264	210	-	-	318	254	178	525	23	20	226	270	140	350
80-65-200/ 01852	160L	✗	-	80	65	100	155	70	350	310	15	-	225	161	160	334	378	876	920	308	254	-	-	318	254	178	525	23	20	226	270	140	350
80-65-200/ 02202	180M	✗	✗	80	65	100	155	80	350	347	15	-	225	161	180	347	391	961	1005	291	241	-	-	350	279	178	577	23	-	226	270	140	350
80-65-250/ 02202	180M	✗	-	80	65	100	179	80	350	347	15	-	250	185	180	367	421	981	1035	291	241	-	-	350	279	199	577	23	-	246	300	140	350
100-80-160/ 01502	160M	✗	-	100	80	125	138	70	350	310	15	-	225	153	160	334	378	856	900	264	210	-	-	318	254	174	525	23	20	226	270	140	350
100-80-160/ 01852	160L	✗	-	100	80	125	138	70	350	310	15	-	225	153	160	334	378	901	945	308	254	-	-	318	254	174	525	23	20	226	270	140	350
100-80-160/ 02202	180M	✗	✗	100	80	125	138	80	350	347	15	-	225	153	180	347	391	986	1030	291	241	-	-	350	279	174	577	23	-	226	270	140	350
100-80-200/ 01852	160L	✗	-	100	80	125	159	70	350	310	15	-	250	170	160	354	408	921	975	308	254	-	-	318	254	188	525	23	20	246	300	140	350
100-80-200/ 02202	180M	✗	-	100	80	125	159	80	350	347	15	-	250	170	180	367	421	1006	1060	291	241	-	-	350	279	188	577	23	-	246	300	140	350
125-100-160/ 02202	180M	✗	-	125	100	125	178	80	350	347	15	-	280	199	180	367	421	1006	1060	291	241	-	-	350	279	225	577	23	-	246	300	140	350

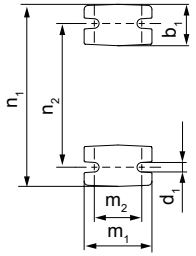
Pump set with volute casing foot and motor foot (variable speed version),  $\leq 22$  kW,  $n = 2900$  rpm /  $3500$  rpm



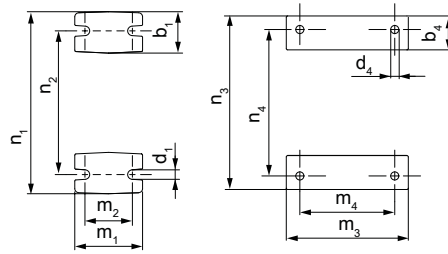
UG1533780\_CD2\_D01



UG1533755\_CD2\_D01



Etabloc PumpDrive (up to motor size 112)



Etabloc PumpDrive (from motor size 132 to 180)

n = 2900 rpm / n = 3500 rpm, material variants BB / CC / SB / SC / SG

Dimensions of Etabloc ≤ 22 kW<sup>24)</sup>

Values a<sub>1</sub>, b<sub>1</sub>, b<sub>4</sub>, d<sub>3</sub>, l<sub>1</sub>, m<sub>1</sub>, m<sub>3</sub>, n<sub>3</sub> and p may vary slightly for production-related reasons.

Size	Motor (IEC)	n		DN <sub>1</sub> <sup>25)</sup>	DN <sub>2</sub> <sup>25)</sup>	a <sup>25)</sup>	a <sub>1</sub>	b <sub>1</sub> <sup>25)</sup>	b <sub>4</sub>	d <sub>1</sub> <sup>25)</sup>	d <sub>2</sub>	d <sub>3</sub>	d <sub>4</sub>	h <sub>1</sub> <sup>25)</sup>	h <sub>2</sub> <sup>25)</sup>	h <sub>4</sub>	i <sup>26)</sup>	i <sup>27)</sup>	l <sub>1</sub> <sup>26)</sup>	l <sub>1</sub> <sup>27)</sup>	m <sub>1</sub> <sup>25)</sup>	m <sub>2</sub> <sup>25)</sup>	m <sub>3</sub>	m <sub>4</sub>	n <sub>1</sub> <sup>25)</sup>	n <sub>2</sub> <sup>25)</sup>	n <sub>3</sub>	n <sub>4</sub>	p	p <sub>1</sub>	s <sub>1</sub> <sup>25)</sup>	s <sub>2</sub>	u <sup>28)</sup>	w <sup>26)</sup>	w <sup>27)</sup>	x <sup>25)</sup>	z
		2900	3500																																		
		[rpm]																																			
40-25-160/ 00072	80M	✗	-	40	25	80	118	50	-	14	200	154	-	132	160	-	-	-	469	-	100	70	-	-	240	190	-	-	118	294	15	-	-	156	-	100	190
40-25-160/ 00112	80M	✗	✗	40	25	80	118	50	-	14	200	154	-	132	160	-	-	-	469	-	100	70	-	-	240	190	-	-	118	294	15	-	-	156	-	100	190
40-25-160/ 00152	90S	✗	✗	40	25	80	118	50	-	14	200	174	-	132	160	-	-	-	506	550	100	70	-	-	240	190	-	-	118	299	15	-	-	156	200	100	190
40-25-160/ 00222	90L	✗	✗	40	25	80	118	50	-	14	200	174	-	132	160	-	-	-	553	596,5	100	70	-	-	240	190	-	-	118	299	15	-	-	156	200	100	211
40-25-160/ 00302	100L	-	✗	40	25	80	118	50	-	14	250	192	-	132	160	-	-	-	580	624	100	70	-	-	240	190	-	-	118	338	15	-	-	170	214	100	211
40-25-160/ 00402	112M	-	✗	40	25	80	118	50	-	14	250	216	-	132	160	-	-	-	610	653,5	100	70	-	-	240	190	-	-	118	353	15	-	-	170	214	100	211
40-25-200/ 00152	90S	✗	-	40	25	80	142	50	-	14	200	174	-	160	180	-	-	-	506	550	100	70	-	-	240	190	-	-	142	299	15	-	-	156	200	100	190
40-25-200/ 00222	90L	✗	-	40	25	80	142	50	-	14	200	174	-	160	180	-	-	-	553	596,5	100	70	-	-	240	190	-	-	142	299	15	-	-	156	200	100	211
40-25-200/ 00302	100L	✗	✗	40	25	80	142	50	-	14	250	192	-	160	180	-	-	-	580	624	100	70	-	-	240	190	-	-	142	338	15	-	-	170	214	100	211
40-25-200/ 00402	112M	✗	✗	40	25	80	142	50	-	14	250	216	-	160	180	-	-	-	610	653,5	100	70	-	-	240	190	-	-	142	353	15	-	-	170	214	100	211
40-25-200/ 00552	132S	✗	✗	40	25	80	142	50	55	14	300	258	12	160	180	132	282	326	658	702	100	70	180	140	240	190	260	216	142	413	15	16	20	193	237	100	280
40-25-200/ 00752	132S	-	✗	40	25	80	142	50	55	14	300	258	12	160	180	132	282	326	658	702	100	70	180	140	240	190	260	216	142	413	15	16	20	193	237	100	280
50-32-125/ 00112	80M	✗	-	50	32	80	115	50	-	14	200	154	-	112	140	-	-	-	469	-	100	70	-	-	190	140	-	-	115	294	15	-	-	156	-	100	190
50-32-125/ 00152	90S	✗	✗	50	32	80	115	50	-	14	200	174	-	112	140	-	-	-	506	550	100	70	-	-	190	140	-	-	115	299	15	-	-	156	200	100	190
50-32-125/ 00222	90L	✗	✗	50	32	80	115	50	-	14	200	174	-	112	140	-	-	-	553	596,5	100	70	-	-	190	140	-	-	115	299	15	-	-	156	200	100	211
50-32-125/ 00302	100L	✗	✗	50	32	80	115	50	-	14	250	192	-	112	140	-	-	-	580	624	100	70	-	-	190	140	-	-	115	338	15	-	-	170	214	100	211
50-32-125/ 00402	112M	-	✗	50	32	80	115	50	-	14	250	216	-	112	140	-	-	-	610	653,5	100	70	-	-	190	140	-	-	115	353	15	-	-	170	214	100	211
50-32-125/ 00552	132S	-	✗	50	32	80	115	50	55	14	300	258	12	112	140	132	282	326	658	702	100	70	180	140	190	140	260	216	115	413	15	16	20	193	237	100	280
50-32-125.1/ 00052	71M	✗	-	50	32	80	116	50	-	14	160	136	-	112	140	-	-	-	441	-	100	70	-	-	190	140	-	-	116	282	15	-	-	136	-	100	190
50-32-125.1/ 00072	80M	✗	-	50	32	80	116	50	-	14	200	154	-	112	140	-	-	-	469	-	100	70	-	-	190	140	-	-	116	294	15	-	-	156	-	100	190
50-32-125.1/ 00112	80M	✗	-	50	32	80	116	50	-	14	200	154	-	112	140	-	-	-	469	-	100	70	-	-	190	140	-	-	116	294	15	-	-	156	-	100	190
50-32-125.1/ 00152	90S	✗	-	50	32	80	116	50	-	14	200	174	-	112	140	-	-	-	506	550	100	70	-	-	190	140	-	-	116	299	15	-	-	156	200	100	190
50-32-125.1/ 00222	90L	✗	-	50	32	80	116	50	-	14	200	174	-	112	140	-	-	-	553	596,5	100	70	-	-	190	140	-	-	116	299	15	-	-	156	200	100	211
50-32-125.1/ 00302	100L	-	✗	50	32	80	116	50	-	14	250	192	-	112	140	-	-	-	580	624	100	70	-	-	190	140	-	-	116	338	15	-	-	170	214	100	211
50-32-125.1/ 00402	112M	-	✗	50	32	80	116	50	-	14	250	216	-	112	140	-	-	-	610	653,5	100	70	-	-	190	140	-	-	116	353	15	-	-	170	214	100	211
50-32-125.1/ 00552	132S	-	✗	50	32	80	116	50	55	14	300	258	12	112	140	132	282	326	658	702	100	70	180	140	190	140	260	216	116	413	15	16	20	193	237	100	280
50-32-160/ 00222	90L	✗	-	50	32	80	118	50	-	14	200	174	-	132	160	-	-	-	553	596,5	100	70	-	-	240	190	-	-	128	299	15	-	-	156	200	100	211
50-32-160/ 00302	100L	✗	✗	50	32	80	118	50	-	14	250	192	-	132	160	-	-	-	580	624	100	70	-	-	240	190	-	-	128	338	15	-	-	170	214	100	211
50-32-160/ 00402	112M	✗	✗	50	32	80	118	50	-	14	250	216	-	132	160	-	-	-	610	653,5	100	70	-	-	240	190	-	-	128	353	15	-	-	170	214	100	211
50-32-160/ 00552	132S	-	✗	50	32	80	118	50	55	14	300	258	12	132	160	132	282	326	658	702	100	70	180	140	240	190	260	216	128	413	15	16	20	193	237	100	280
50-32-160/ 00752	132S	-	✗	50	32	80	118	50	55	14	300	258	12	132	160	132	282	326	658	702	100	70	180	140	240	190	260	216	128	413	15	16	20	193	237	100	280

24) Tolerances of mating dimensions to EN 735

25) Dimensions to EN 733

26) Dimension with single mechanical seal (A, AV, IA, EA, FA)

27) Dimension with double mechanical seal (DB, TI)

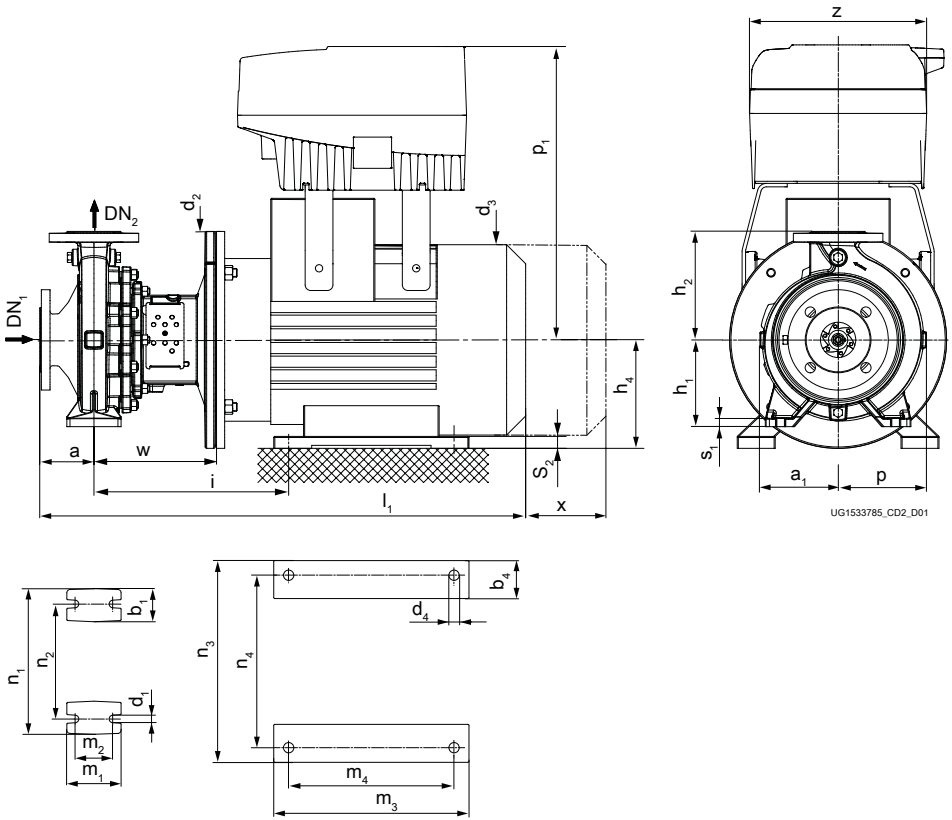
28) Motor feet must be shimmed.





Size	Motor (IEC)	n		DN <sub>1</sub> <small>25)</small>	DN <sub>2</sub> <small>25)</small>	a <small>25)</small>	a <sub>1</sub>	b <sub>1</sub> <small>25)</small>	b <sub>4</sub>	d <sub>1</sub> <small>25)</small>	d <sub>2</sub>	d <sub>3</sub>	d <sub>4</sub>	h <sub>1</sub> <small>25)</small>	h <sub>2</sub> <small>25)</small>	h <sub>4</sub>	i <small>26)</small>	i <small>27)</small>	l <sub>1</sub> <small>26)</small>	l <sub>1</sub> <small>27)</small>	m <sub>1</sub> <small>25)</small>	m <sub>2</sub> <small>25)</small>	m <sub>3</sub>	m <sub>4</sub>	n <sub>1</sub> <small>25)</small>	n <sub>2</sub> <small>25)</small>	n <sub>3</sub>	n <sub>4</sub>	p	p <sub>1</sub>	s <sub>1</sub> <small>25)</small>	s <sub>2</sub>	u <small>28)</small>	w <small>26)</small>	w <small>27)</small>	x <small>25)</small>	z
		2900	3500																																		
		[rpm]																																			
80-65-160/ 02202	180M	-	✗	80	65	100	132	65	80	14	350	347	15	160	200	180	347	391	961	1005	125	95	291	241	280	212	350	279	160	577	18	23	-	226	270	100	350
80-65-200/ 01502	160M	✗	-	80	65	100	155	65	70	14	350	310	15	180	225	160	334	378	831	875	125	95	264	210	320	250	318	254	178	525	18	23	20	226	270	140	350
80-65-200/ 01852	160L	✗	-	80	65	100	155	65	70	14	350	310	15	180	225	160	334	378	876	920	125	95	308	254	320	250	318	254	178	525	18	23	20	226	270	140	350
80-65-200/ 02202	180M	✗	✗	80	65	100	155	65	80	14	350	347	15	180	225	180	347	391	961	1005	125	95	291	241	320	250	350	279	178	577	18	23	-	226	270	140	350
80-65-250/ 02202	180M	✗	-	80	65	100	179	80	80	19	350	347	15	200	250	180	367	421	981	1035	160	120	291	241	360	280	350	279	199	577	20	23	-	246	300	140	350
100-80-160/ 01502	160M	✗	-	100	80	125	138	65	70	14	350	310	15	180	225	160	334	378	856	900	125	95	264	210	320	250	318	254	174	525	18	23	20	226	270	140	350
100-80-160/ 01852	160L	✗	-	100	80	125	138	65	70	14	350	310	15	180	225	160	334	378	901	945	125	95	308	254	320	250	318	254	174	525	18	23	20	226	270	140	350
100-80-160/ 02202	180M	✗	✗	100	80	125	138	65	80	14	350	347	15	180	225	180	347	391	986	1030	125	95	291	241	320	250	350	279	174	577	18	23	-	226	270	140	350
100-80-200/ 01852	160L	✗	-	100	80	125	159	65	70	14	350	310	15	180	250	160	354	408	921	975	125	95	308	254	345	280	318	254	188	525	18	23	20	246	300	140	350
100-80-200/ 02202	180M	✗	-	100	80	125	159	65	80	14	350	347	15	180	250	180	367	421	1006	1060	125	95	291	241	345	280	350	279	188	577	18	23	-	246	300	140	350
125-100-160/ 02202	180M	✗	-	125	100	125	178	80	80	19	350	347	15	200	280	180	367	421	1006	1060	160	120	291	241	360	280	350	279	225	577	18	23	-	246	300	140	350

Pump set with volute casing foot and motor foot (variable speed version), 30 kW to 45 kW,  $n = 2900 \text{ rpm} / 3500 \text{ rpm}$



Etabloc PumpDrive (from motor size 200 to 225)

n = 2900 rpm / n = 3500 rpm, material variants GG / GB / GC / BB / CC / SB / SC / SG

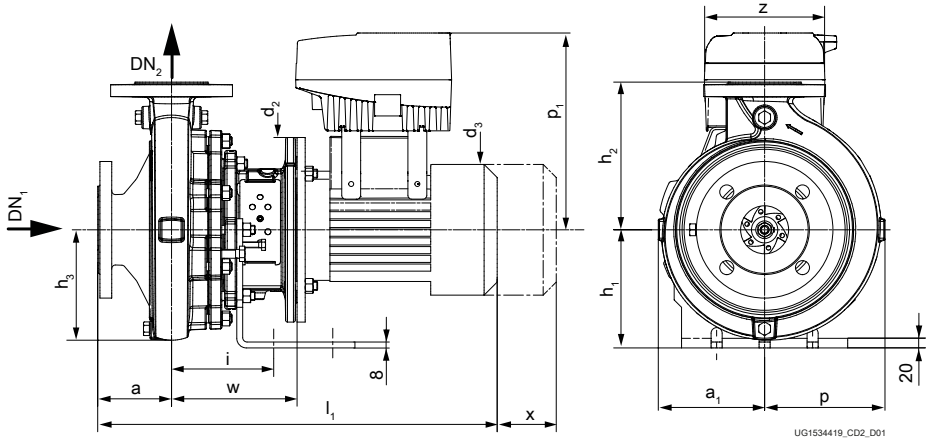
Dimensions of Etabloc from 30 kW to 45 kW<sup>29)</sup>

Values a<sub>1</sub>, b<sub>1</sub>, b<sub>4</sub>, d<sub>3</sub>, l<sub>1</sub>, m<sub>1</sub>, m<sub>3</sub>, n<sub>3</sub> and p may vary slightly for production-related reasons.

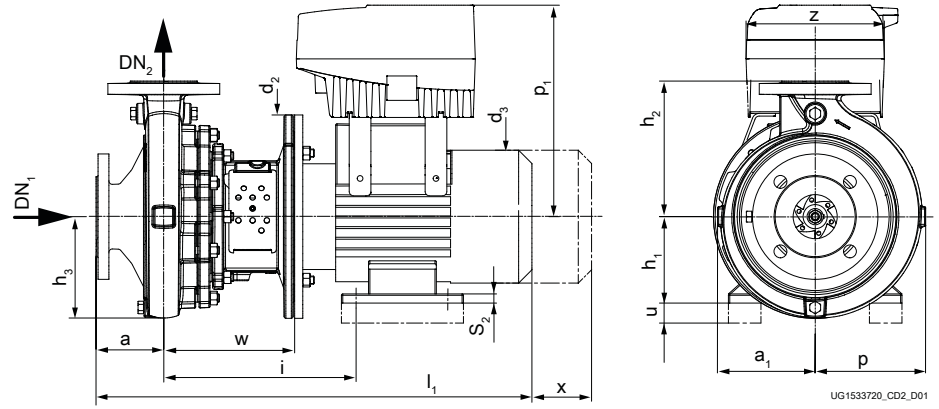
Size	Motor (IEC)	n		DN <sub>1</sub> <small>(30)</small>	DN <sub>2</sub> <small>(30)</small>	a <small>(30)</small>	a <sub>1</sub>	b <sub>1</sub> <small>(30)</small>	b <sub>4</sub>	d <sub>1</sub> <small>(30)</small>	d <sub>2</sub>	d <sub>3</sub>	d <sub>4</sub>	h <sub>1</sub> <small>(30)</small>	h <sub>2</sub> <small>(30)</small>	h <sub>4</sub>	i <small>(31)</small>	i <small>(32)</small>	l <sub>1</sub> <small>(31)</small>	l <sub>1</sub> <small>(32)</small>	m <sub>1</sub> <small>(30)</small>	m <sub>2</sub> <small>(30)</small>	m <sub>3</sub>	m <sub>4</sub>	n <sub>1</sub> <small>(30)</small>	n <sub>2</sub> <small>(30)</small>	n <sub>3</sub>	n <sub>4</sub>	p	p <sub>1</sub>	s <sub>1</sub> <small>(30)</small>	s <sub>2</sub>	w <small>(31)</small>	w <small>(32)</small>	x <small>(30)</small>	z
		2900	3500																																	
		[rpm]																																		
50-32-250/ 03002	200L	-	X	50	32	100	169	65	85	14	400	381	19	180	225	200	359	397	1062	1100	125	95	365	305	320	250	380	318	178	626	18	23	226	264	100	350
65-40-250/ 03002	200L	X	X	65	40	100	169	65	85	14	400	381	19	180	225	200	359	397	1062	1100	125	95	365	305	320	250	380	318	179	626	18	23	226	264	100	350
65-40-250/ 03702	200L	-	X	65	40	100	169	65	85	14	400	381	19	180	225	200	359	397	1062	1100	125	95	365	305	320	250	380	318	179	675	18	23	226	264	100	455
65-40-315/ 03002	200L	X	-	65	40	125	207	65	85	14	400	381	19	225	250	200	379	437	1107	1165	125	95	365	305	345	280	380	318	207	626	18	23	246	304	100	350
65-40-315/ 03702	200L	X	-	65	40	125	207	65	85	14	400	381	19	225	250	200	379	437	1107	1165	125	95	365	305	345	280	380	318	207	675	18	23	246	304	100	455
65-50-200/ 03002	200L	X	X	65	50	100	144	50	85	14	400	381	19	160	200	200	359	397	1062	1100	100	70	365	305	265	212	380	318	163	626	18	23	226	264	100	350
65-50-200/ 03702	200L	-	X	65	50	100	144	50	85	14	400	381	19	160	200	200	359	397	1062	1100	100	70	365	305	265	212	380	318	163	675	18	23	226	264	100	455
65-50-250/ 03002	200L	X	X	65	50	100	170	65	85	14	400	381	19	180	225	200	359	397	1062	1100	125	95	365	305	320	250	380	318	186	626	18	23	226	264	100	350
65-50-250/ 03702	200L	X	X	65	50	100	170	65	85	14	400	381	19	180	225	200	359	397	1062	1100	125	95	365	305	320	250	380	318	186	675	18	23	226	264	100	455
65-50-315/ 03702	200L	X	-	65	50	125	207	65	85	14	400	381	19	225	280	200	379	437	1107	1165	125	95	365	305	345	280	380	318	215	675	18	23	246	304	100	455
80-65-160/ 03002	200L	-	X	80	65	100	132	65	85	14	400	381	19	160	200	200	359	397	1062	1100	125	95	365	305	280	212	380	318	160	626	18	23	226	264	100	350
80-65-200/ 03002	200L	X	X	80	65	100	155	65	85	14	400	381	19	180	225	200	359	397	1062	1100	125	95	365	305	320	250	380	318	178	626	18	23	226	264	140	350
80-65-200/ 03702	200L	X	X	80	65	100	155	65	85	14	400	381	19	180	225	200	359	397	1062	1100	125	95	365	305	320	250	380	318	178	675	18	23	226	264	140	455
80-65-250/ 03002	200L	X	-	80	65	100	179	80	85	19	400	381	19	200	250	200	379	437	1082	1140	160	120	365	305	360	280	380	318	199	626	20	23	246	304	140	350
80-65-250/ 03702	200L	X	X	80	65	100	179	80	85	19	400	381	19	200	250	200	379	437	1082	1140	160	120	365	305	360	280	380	318	199	675	20	23	246	304	140	455
100-80-160/ 03002	200L	X	X	100	80	125	138	65	85	14	400	381	19	180	225	200	359	397	1087	1125	125	95	365	305	320	250	380	318	174	626	18	23	226	264	140	350
100-80-160/ 03702	200L	-	X	100	80	125	138	65	85	14	400	381	19	180	225	200	359	397	1087	1125	125	95	365	305	320	250	380	318	174	675	18	23	226	264	140	455
100-80-200/ 03002	200L	X	-	100	80	125	159	65	85	14	400	381	19	180	250	200	379	437	1107	1165	125	95	365	305	345	280	380	318	188	626	18	23	246	304	140	350
100-80-200/ 03702	200L	X	-	100	80	125	159	65	85	14	400	381	19	180	250	200	379	437	1107	1165	125	95	365	305	345	280	380	318	188	675	18	23	246	304	140	455
100-80-250/ 03002	200L	X	-	100	80	125	183	80	85	19	400	381	19	200	280	200	379	437	1107	1165	160	120	365	305	400	315	380	318	209	626	18	23	246	304	140	350
100-80-250/ 03702	200L	X	-	100	80	125	183	80	85	19	400	381	19	200	280	200	379	437	1107	1165	160	120	365	305	400	315	380	318	209	675	18	23	246	304	140	455
125-100-160/ 03002	200L	X	-	125	100	125	178	80	85	19	400	381	19	200	280	200	379	437	1107	1165	160	120	365	305	360	280	380	318	225	626	18	23	246	304	140	350
125-100-160/ 03702	200L	X	X	125	100	125	178	80	85	19	400	381	19	200	280	200	379	437	1107	1165	160	120	365	305	360	280	380	318	225	675	18	23	246	304	140	455
125-100-200/ 03002	200L	X	-	125	100	125	173	80	85	19	400	381	19	200	280	200	379	437	1107	1165	160	120	365	305	360	280	380	318	212	626	18	23	246	304	140	350
125-100-200/ 03702	200L	X	-	125	100	125	173	80	85	19	400	381	19	200	280	200	379	437	1107	1165	160	120	365	305	360	280	380	318	212	675	18	23	246	304	140	455

29) Tolerances of mating dimensions to EN 735  
 30) Dimensions to EN 733  
 31) Dimension with single mechanical seal (A, AV, IA, EA, FA)  
 32) Dimension with double mechanical seal (DB, TI)

Pump set with support foot and motor foot (variable speed version), ≤ 22 kW, n = 1450 rpm / 1750 rpm



Etabloc PumpDrive (up to motor size 112)



Etabloc PumpDrive (from motor size 132 to 180)

Dimensions [mm]

n = 1450 rpm / n = 1750 rpm, material variants GG / GB / GC

Dimensions of Etabloc ≤ 22 kW<sup>33)</sup>

Values a<sub>1</sub>, b<sub>4</sub>, d<sub>3</sub>, l<sub>1</sub>, m<sub>3</sub>, n<sub>3</sub> and p may vary slightly for production-related reasons.

Size	Motor (IEC)	n		DN <sub>1</sub> <small>(34)</small>	DN <sub>2</sub> <small>(34)</small>	a <small>(34)</small>	a <sub>1</sub>	b <sub>4</sub>	d <sub>2</sub>	d <sub>3</sub>	d <sub>4</sub>	h <sub>1</sub>	h <sub>2</sub> <small>(34)</small>	h <sub>3</sub>	h <sub>4</sub>	i <small>(35)</small>	i <small>(36)</small>	l <sub>1</sub> <small>(35)</small>	l <sub>1</sub> <small>(36)</small>	m <sub>3</sub>	m <sub>4</sub>	n <sub>1</sub>	n <sub>2</sub>	n <sub>3</sub>	n <sub>4</sub>	p	p <sub>1</sub>	s <sub>2</sub>	u <small>(37)</small>	w <small>(35)</small>	w <small>(36)</small>	x <small>(34)</small>	Z
		1450	1750																														
		[rpm]																															
40-25-160/ 00054	80M	-	X	40	25	80	118	-	200	154	-	160	160	107	-	118	-	469	-	-	-	225	130	-	-	118	294	-	-	156	-	100	190
40-25-160/ 00114	90S	X	X	40	25	80	118	-	200	174	-	160	160	107	-	118	118	506	550	-	-	225	130	-	-	118	299	-	-	156	200	100	190
40-25-200/ 00054	80M	X	X	40	25	80	142	-	200	154	-	160	180	137	-	118	-	469	-	-	-	225	130	-	-	142	294	-	-	156	-	100	190
40-25-200/ 00074	80M	-	X	40	25	80	142	-	200	154	-	160	180	137	-	118	-	469	-	-	-	225	130	-	-	142	294	-	-	156	-	100	190
40-25-200/ 00114	90S	-	X	40	25	80	142	-	200	174	-	160	180	137	-	118	118	506	550	-	-	225	130	-	-	142	299	-	-	156	200	100	190
50-32-125/ 00054	80M	X	X	50	32	80	115	-	200	154	-	160	140	100	-	118	-	469	-	-	-	225	130	-	-	115	294	-	-	156	-	100	190
50-32-125/ 00074	80M	-	X	50	32	80	115	-	200	154	-	160	140	100	-	118	-	469	-	-	-	225	130	-	-	115	294	-	-	156	-	100	190
50-32-125/ 00114	90S	X	X	50	32	80	115	-	200	174	-	160	140	100	-	118	118	506	550	-	-	225	130	-	-	115	299	-	-	156	200	100	190
50-32-125.1/ 00054	80M	X	X	50	32	80	116	-	200	154	-	160	140	100	-	118	-	469	-	-	-	225	130	-	-	116	294	-	-	156	-	100	190
50-32-125.1/ 00114	90S	X	X	50	32	80	116	-	200	174	-	160	140	100	-	118	118	506	550	-	-	225	130	-	-	116	299	-	-	156	200	100	190
50-32-160/ 00054	80M	X	X	50	32	80	118	-	200	154	-	160	160	115	-	118	-	469	-	-	-	225	130	-	-	128	294	-	-	156	-	100	190
50-32-160/ 00074	80M	X	X	50	32	80	118	-	200	154	-	160	160	115	-	118	-	469	-	-	-	225	130	-	-	128	294	-	-	156	-	100	190
50-32-160/ 00114	90S	-	X	50	32	80	118	-	200	174	-	160	160	115	-	118	118	506	550	-	-	225	130	-	-	128	299	-	-	156	200	100	190
50-32-160.1/ 00054	80M	X	X	50	32	80	116	-	200	154	-	160	160	111	-	118	-	469	-	-	-	225	130	-	-	121	294	-	-	156	-	100	190
50-32-160.1/ 00074	80M	-	X	50	32	80	116	-	200	154	-	160	160	111	-	118	-	469	-	-	-	225	130	-	-	121	294	-	-	156	-	100	190
50-32-200/ 00054	80M	X	-	50	32	80	142	-	200	154	-	160	180	137	-	118	-	469	-	-	-	225	130	-	-	143	294	-	-	156	-	100	190
50-32-200/ 00074	80M	X	-	50	32	80	142	-	200	154	-	160	180	137	-	118	-	469	-	-	-	225	130	-	-	143	294	-	-	156	-	100	190
50-32-200/ 00114	90S	X	X	50	32	80	142	-	200	174	-	160	180	137	-	118	118	506	550	-	-	225	130	-	-	143	299	-	-	156	200	100	190
50-32-200/ 00154	90L	-	X	50	32	80	142	-	200	174	-	160	180	137	-	118	118	553	597	-	-	225	130	-	-	143	299	-	-	156	200	100	190
50-32-200/ 00224	100L	-	X	50	32	80	142	-	250	192	-	160	180	137	-	118	118	580	624	-	-	225	130	-	-	143	338	-	-	170	214	100	211
50-32-200.1/ 00054	80M	X	X	50	32	80	142	-	200	154	-	160	180	136	-	118	-	469	-	-	-	225	130	-	-	142	294	-	-	156	-	100	190
50-32-200.1/ 00074	80M	X	X	50	32	80	142	-	200	154	-	160	180	136	-	118	-	469	-	-	-	225	130	-	-	142	294	-	-	156	-	100	190
50-32-200.1/ 00114	90S	-	X	50	32	80	142	-	200	174	-	160	180	136	-	118	118	506	550	-	-	225	130	-	-	142	299	-	-	156	200	100	190
50-32-200.1/ 00154	90L	-	X	50	32	80	142	-	200	174	-	160	180	136	-	118	118	553	597	-	-	225	130	-	-	142	299	-	-	156	200	100	190
50-32-250/ 00114	90S	X	-	50	32	100	169	-	200	174	-	160	225	166	-	118	118	526	570	-	-	225	130	-	-	178	299	-	-	156	200	100	190
50-32-250/ 00154	90L	X	X	50	32	100	169	-	200	174	-	160	225	166	-	118	118	573	617	-	-	225	130	-	-	178	299	-	-	156	200	100	190
50-32-250/ 00224	100L	X	X	50	32	100	169	-	250	192	-	160	225	166	-	118	118	600	644	-	-	225	130	-	-	178	338	-	-	170	214	100	211
50-32-250/ 00304	100L	-	X	50	32	100	169	-	250	192	-	160	225	166	-	118	118	600	644	-	-	225	130	-	-	178	338	-	-	170	214	100	211
50-32-250/ 00404	112M	-	X	50	32	100	169	-	250	216	-	160	225	166	-	118	118	630	674	-	-	225	130	-	-	178	353	-	-	170	214	100	211
50-32-250.1/ 00074	80M	X	-	50	32	100	168	-	200	154	-	160	225	166	-	118	-	489	-	-	-	225	130	-	-	168	294	-	-	156	-	100	190
50-32-250.1/ 00114	90S	X	X	50	32	100	168	-	200	174	-	160	225	166	-	118	118	526	570	-	-	225	130	-	-	168	299	-	-	156	200	100	190

33) Tolerances of mating dimensions to EN 735  
 34) Dimensions to EN 733  
 35) Dimension with single mechanical seal (A, AV, IA, EA, FA)  
 36) Dimension with double mechanical seal (DB, TI)  
 37) Motor feet must be shimmed.

Size	Motor (IEC)	n		DN <sub>1</sub> <small>34)</small>	DN <sub>2</sub> <small>34)</small>	a <small>34)</small>	a <sub>1</sub>	b <sub>4</sub>	d <sub>2</sub>	d <sub>3</sub>	d <sub>4</sub>	h <sub>1</sub>	h <sub>2</sub> <small>34)</small>	h <sub>3</sub>	h <sub>4</sub>	i <small>35)</small>	i <small>36)</small>	l <sub>1</sub> <small>35)</small>	l <sub>1</sub> <small>36)</small>	m <sub>3</sub>	m <sub>4</sub>	n <sub>1</sub>	n <sub>2</sub>	n <sub>3</sub>	n <sub>4</sub>	p	p <sub>1</sub>	s <sub>2</sub>	u <small>37)</small>	w <small>35)</small>	w <small>36)</small>	x <small>34)</small>	Z																																			
		1450	1750																															[mm]																																		
		[rpm]																																																																		
50-32-250.1/ 00154	90L	X	X	50	32	100	168	-	200	174	-	160	225	166	-	118	118	573	617	-	-	225	130	-	-	168	299	-	-	156	200	100	190																																			
50-32-250.1/ 00224	100L	-	X	50	32	100	168	-	250	192	-	160	225	166	-	118	118	600	644	-	-	225	130	-	-	168	338	-	-	170	214	100	211																																			
50-32-250.1/ 00304	100L	-	X	50	32	100	168	-	250	192	-	160	225	166	-	118	118	600	644	-	-	225	130	-	-	168	338	-	-	170	214	100	211																																			
65-40-125/ 00054	80M	X	X	65	40	80	117	-	200	154	-	160	140	107	-	118	-	469	-	-	-	225	130	-	-	117	294	-	-	156	-	100	190																																			
65-40-125/ 00074	80M	-	X	65	40	80	117	-	200	154	-	160	140	107	-	118	-	469	-	-	-	225	130	-	-	117	294	-	-	156	-	100	190																																			
65-40-125/ 00114	90S	-	X	65	40	80	117	-	200	174	-	160	140	107	-	118	118	506	550	-	-	225	130	-	-	117	299	-	-	156	200	100	190																																			
65-40-160/ 00054	80M	X	-	65	40	80	119	-	200	154	-	160	160	119	-	118	-	469	-	-	-	225	130	-	-	134	294	-	-	156	-	100	190																																			
65-40-160/ 00074	80M	X	X	65	40	80	119	-	200	154	-	160	160	119	-	118	-	469	-	-	-	225	130	-	-	134	294	-	-	156	-	100	190																																			
65-40-160/ 00114	90S	X	X	65	40	80	119	-	200	174	-	160	160	119	-	118	118	506	550	-	-	225	130	-	-	134	299	-	-	156	200	100	190																																			
65-40-160/ 00154	90L	-	X	65	40	80	119	-	200	174	-	160	160	119	-	118	118	553	597	-	-	225	130	-	-	134	299	-	-	156	200	100	190																																			
65-40-160/ 00224	100L	-	X	65	40	80	119	-	250	192	-	160	160	119	-	118	118	580	624	-	-	225	130	-	-	134	338	-	-	170	214	100	211																																			
65-40-200/ 00074	80M	X	-	65	40	100	142	-	200	154	-	160	180	141	-	118	-	489	-	-	-	225	130	-	-	155	294	-	-	156	-	100	190																																			
65-40-200/ 00114	90S	X	-	65	40	100	142	-	200	174	-	160	180	141	-	118	118	526	570	-	-	225	130	-	-	155	299	-	-	156	200	100	190																																			
65-40-200/ 00154	90L	X	X	65	40	100	142	-	200	174	-	160	180	141	-	118	118	573	617	-	-	225	130	-	-	155	299	-	-	156	200	100	190																																			
65-40-200/ 00224	100L	-	X	65	40	100	142	-	250	192	-	160	180	141	-	118	118	600	644	-	-	225	130	-	-	155	338	-	-	170	214	100	211																																			
65-40-200/ 00304	100L	-	X	65	40	100	142	-	250	192	-	160	180	141	-	118	118	600	644	-	-	225	130	-	-	155	338	-	-	170	214	100	211																																			
65-40-250/ 00114	90S	X	-	65	40	100	169	-	200	174	-	160	225	166	-	118	118	526	570	-	-	225	130	-	-	179	299	-	-	156	200	100	190																																			
65-40-250/ 00154	90L	X	-	65	40	100	169	-	200	174	-	160	225	166	-	118	118	573	617	-	-	225	130	-	-	179	299	-	-	156	200	100	190																																			
65-40-250/ 00224	100L	X	X	65	40	100	169	-	250	192	-	160	225	166	-	118	118	600	644	-	-	225	130	-	-	179	338	-	-	170	214	100	211																																			
65-40-250/ 00304	100L	X	X	65	40	100	169	-	250	192	-	160	225	166	-	118	118	600	644	-	-	225	130	-	-	179	338	-	-	170	214	100	211																																			
65-40-250/ 00404	112M	-	X	65	40	100	169	-	250	216	-	160	225	166	-	118	118	630	674	-	-	225	130	-	-	179	353	-	-	170	214	100	211																																			
65-40-250/ 00554	132S	-	X	65	40	100	169	55	300	258	12	-	225	166	132	282	326	678	722	180	140	-	-	260	216	179	413	16	20	193	237	100	280																																			
65-40-315/ 00224	100L	X	-	65	40	125	207	-	250	192	-	180	250	204	-	142	142	645	693	-	-	260	180	-	-	207	338	-	-	190	238	100	211																																			
65-40-315/ 00304	100L	X	-	65	40	125	207	-	250	192	-	180	250	204	-	142	142	645	693	-	-	260	180	-	-	207	338	-	-	190	238	100	211																																			
65-40-315/ 00404	112M	X	X	65	40	125	207	-	250	216	-	180	250	204	-	142	142	675	722	-	-	260	180	-	-	207	353	-	-	190	238	100	211																																			
65-40-315/ 00554	132S	X	X	65	40	125	207	55	300	258	12	-	250	204	132	302	350	723	771	180	140	-	-	260	216	207	413	16	20	213	261	100	280																																			
65-40-315/ 00754	132M	-	X	65	40	125	207	59	300	258	12	-	250	204	132	302	350	765	813	218	178	-	-	260	216	207	413	16	20	213	261	100	280																																			
65-40-315/ 01104	160M	-	X	65	40	125	207	70	350	310	15	-	250	204	160	354	408	876	930	264	210	-	-	318	254	207	444	23	20	246	300	100	280																																			
65-50-125/ 00054	80M	X	-	65	50	100	117	-	200	154	-	160	160	112	-	118	-	489	-	-	-	225	130	-	-	130	294	-	-	156	-	100	190																																			
65-50-125/ 00074	80M	X	X	65	50	100	117	-	200	154	-	160	160	112	-	118	-	489	-	-	-	225	130	-	-	130	294	-	-	156	-	100	190																																			
65-50-125/ 00114	90S	X	X	65	50	100	117	-	200	174	-	160	160	112	-	118	118	526	570	-	-	225	130	-	-	130	299	-	-	156	200	100	190																																			
65-50-125/ 00154	90L	-	X	65	50	100	117	-	200	174	-	160	160	112	-	118	118	573	617	-	-	225	130	-	-	130	299	-	-	156	200	100	190																																			
65-50-160/ 00074	80M	X	-	65	50	100	128	-	200	154	-	160	180	133	-	118	-	489	-	-	-	225	130	-	-	149	294	-	-	156	-	100	190																																			
65-50-160/ 00114	90S	X	X	65	50	100	128	-	200	174	-	160	180	133	-	118	118	526	570	-	-	225	130	-	-	149	299	-	-	156	200	100	190																																			
65-50-160/ 00154	90L	X	X	65	50	100	128	-	200	174	-	160	180	133	-	118	118	573	617	-	-	225	130	-	-	149	299	-	-	156	200	100	190																																			
65-50-160/ 00224	100L	-	X	65	50	100	128	-	250	192	-	160	180	133	-	118	118	600	644	-	-	225	130	-	-	149	338	-	-	170	214	100	211																																			
65-50-160/ 00304	100L	-	X	65	50	100	128	-	250	192	-	160	180	133	-	118	118	600	644	-	-	225	130	-	-	149	338	-	-	170	214	100	211																																			
65-50-200/ 00154	90L	X	-	65	50	100	144	-	200	174	-	160	200	150	-	118	118	573	617	-	-	225	130	-	-	163	299	-	-	156	200	100	190																																			
65-50-200/ 00224	100L	X	X	65	50	100	144	-	250	192	-	160	200	150	-	118	118	600	644	-	-	225	130	-	-	163	338	-	-	170	214	100	211																																			
65-50-200/ 00304	100L	X	X	65	50	100	144	-	250	192	-	160	200	150	-	118	118	600	644	-	-	225	130	-	-	163	338	-	-	170	214	100	211																																			
65-50-200/ 00404	112M	-	X	65	50	100	144	-	250	216	-	160	200	150	-	118	118	630	674	-	-	225	130	-	-	163	353	-	-	170	214	100	211																																			

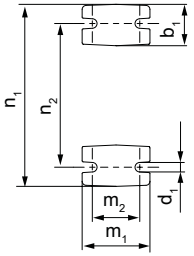
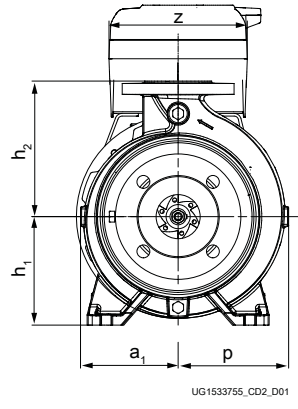
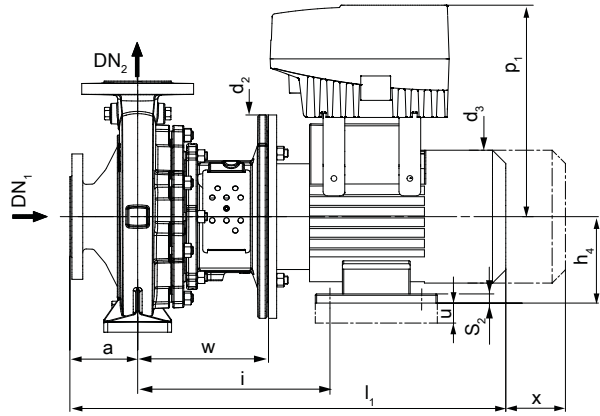
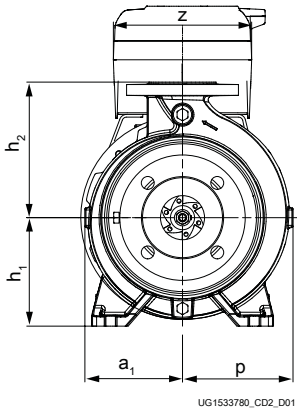
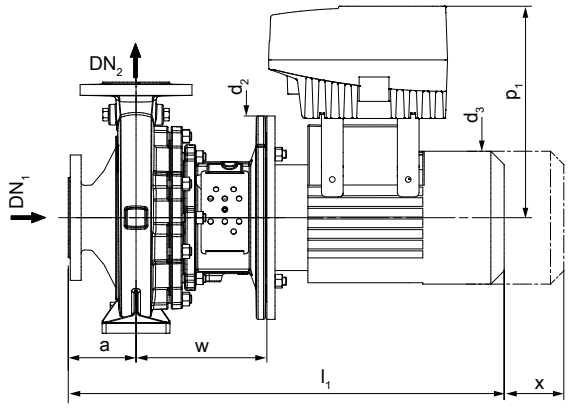


Size	Motor (IEC)	n		DN <sub>1</sub> <small>(34)</small>	DN <sub>2</sub> <small>(34)</small>	a <small>(34)</small>	a <sub>1</sub>	b <sub>4</sub>	d <sub>2</sub>	d <sub>3</sub>	d <sub>4</sub>	h <sub>1</sub>	h <sub>2</sub> <small>(34)</small>	h <sub>3</sub>	h <sub>4</sub>	i <small>(35)</small>	i <small>(36)</small>	l <sub>1</sub> <small>(35)</small>	l <sub>1</sub> <small>(36)</small>	m <sub>3</sub>	m <sub>4</sub>	n <sub>1</sub>	n <sub>2</sub>	n <sub>3</sub>	n <sub>4</sub>	p	p <sub>1</sub>	s <sub>2</sub>	u <small>(37)</small>	w <small>(35)</small>	w <small>(36)</small>	x <small>(34)</small>	Z
		1450	1750																														
65-50-200/ 00554	132S	-	X	65	50	100	144	55	300	258	12	-	200	150	132	282	326	678	722	180	140	-	-	260	216	163	413	16	20	193	237	100	280
65-50-250/ 00224	100L	X	-	65	50	100	170	-	250	192	-	160	225	172	-	118	118	600	644	-	-	225	130	-	-	186	338	-	-	170	214	100	211
65-50-250/ 00304	100L	X	-	65	50	100	170	-	250	192	-	160	225	172	-	118	118	600	644	-	-	225	130	-	-	186	338	-	-	170	214	100	211
65-50-250/ 00404	112M	X	X	65	50	100	170	-	250	216	-	160	225	172	-	118	118	630	674	-	-	225	130	-	-	186	353	-	-	170	214	100	211
65-50-250/ 00554	132S	-	X	65	50	100	170	55	300	258	12	-	225	172	132	282	326	678	722	180	140	-	-	260	216	186	413	16	20	193	237	100	280
65-50-250/ 00754	132M	-	X	65	50	100	170	59	300	258	12	-	225	172	132	282	326	720	764	218	178	-	-	260	216	186	413	16	20	193	237	100	280
65-50-315/ 00304	100L	X	-	65	50	125	207	-	250	192	-	180	280	203	-	142	142	645	693	-	-	260	180	-	-	215	338	-	-	190	238	100	211
65-50-315/ 00404	112M	X	-	65	50	125	207	-	250	216	-	180	280	203	-	142	142	675	722	-	-	260	180	-	-	215	353	-	-	190	238	100	211
65-50-315/ 00554	132S	X	-	65	50	125	207	55	300	258	12	-	280	203	132	302	350	723	771	180	140	-	-	260	216	215	413	16	20	213	261	100	280
65-50-315/ 00754	132M	X	X	65	50	125	207	59	300	258	12	-	280	203	132	302	350	765	813	218	178	-	-	260	216	215	413	16	20	213	261	100	280
65-50-315/ 01104	160M	-	X	65	50	125	207	70	350	310	15	-	280	203	160	354	408	876	930	264	210	-	-	318	254	215	444	23	20	246	300	100	280
65-50-315/ 01504	160L	-	X	65	50	125	207	70	350	310	15	-	280	203	160	354	408	921	975	308	254	-	-	318	254	215	525	23	20	246	300	100	350
80-65-125/ 00054	80M	X	-	80	65	100	117	-	200	154	-	160	180	127	-	118	-	489	-	-	-	225	130	-	-	150	294	-	-	156	-	100	190
80-65-125/ 00074	80M	X	-	80	65	100	117	-	200	154	-	160	180	127	-	118	-	489	-	-	-	225	130	-	-	150	294	-	-	156	-	100	190
80-65-125/ 00114	90S	X	X	80	65	100	117	-	200	174	-	160	180	127	-	118	118	526	570	-	-	225	130	-	-	150	299	-	-	156	200	100	190
80-65-125/ 00154	90L	-	X	80	65	100	117	-	200	174	-	160	180	127	-	118	118	573	617	-	-	225	130	-	-	150	299	-	-	156	200	100	190
80-65-125/ 00224	100L	-	X	80	65	100	117	-	250	192	-	160	180	127	-	118	118	600	644	-	-	225	130	-	-	150	338	-	-	170	214	100	211
80-65-160/ 00114	90S	X	-	80	65	100	132	-	200	174	-	160	200	140	-	118	118	526	570	-	-	225	130	-	-	160	299	-	-	156	200	100	190
80-65-160/ 00154	90L	X	X	80	65	100	132	-	200	174	-	160	200	140	-	118	118	573	617	-	-	225	130	-	-	160	299	-	-	156	200	100	190
80-65-160/ 00224	100L	X	X	80	65	100	132	-	250	192	-	160	200	140	-	118	118	600	644	-	-	225	130	-	-	160	338	-	-	170	214	100	211
80-65-160/ 00304	100L	-	X	80	65	100	132	-	250	192	-	160	200	140	-	118	118	600	644	-	-	225	130	-	-	160	338	-	-	170	214	100	211
80-65-160/ 00404	112M	-	X	80	65	100	132	-	250	216	-	160	200	140	-	118	118	630	674	-	-	225	130	-	-	160	353	-	-	170	214	100	211
80-65-200/ 00224	100L	X	-	80	65	100	155	-	250	192	-	160	225	161	-	118	118	600	644	-	-	225	130	-	-	178	338	-	-	170	214	140	211
80-65-200/ 00304	100L	X	X	80	65	100	155	-	250	192	-	160	225	161	-	118	118	600	644	-	-	225	130	-	-	178	338	-	-	170	214	140	211
80-65-200/ 00404	112M	X	X	80	65	100	155	-	250	216	-	160	225	161	-	118	118	630	674	-	-	225	130	-	-	178	353	-	-	170	214	140	211
80-65-200/ 00554	132S	-	X	80	65	100	155	55	300	258	12	-	225	161	132	282	326	678	722	180	140	-	-	260	216	178	413	16	20	193	237	140	280
80-65-200/ 00754	132M	-	X	80	65	100	155	59	300	258	12	-	225	161	132	282	326	720	764	218	178	-	-	260	216	178	413	16	20	193	237	140	280
80-65-250/ 00304	100L	X	-	80	65	100	179	-	250	192	-	180	250	185	-	142	142	620	668	-	-	260	180	-	-	199	338	-	-	190	238	140	211
80-65-250/ 00404	112M	X	-	80	65	100	179	-	250	216	-	180	250	185	-	142	142	650	697	-	-	260	180	-	-	199	353	-	-	190	238	140	211
80-65-250/ 00554	132S	X	X	80	65	100	179	55	300	258	12	-	250	185	132	302	350	698	746	180	140	-	-	260	216	199	413	16	20	213	261	140	280
80-65-250/ 00754	132M	-	X	80	65	100	179	59	300	258	12	-	250	185	132	302	350	740	788	218	178	-	-	260	216	199	413	16	20	213	261	140	280
80-65-250/ 01104	160M	-	X	80	65	100	179	70	350	310	15	-	250	185	160	354	408	851	905	264	210	-	-	318	254	199	444	23	20	246	300	140	280
80-65-315/ 00554	132S	X	-	80	65	125	209	55	300	258	12	-	280	213	132	302	350	723	771	180	140	-	-	260	216	229	413	16	20	213	261	140	280
80-65-315/ 00754	132M	X	-	80	65	125	209	59	300	258	12	-	280	213	132	302	350	765	813	218	178	-	-	260	216	229	413	16	20	213	261	140	280
80-65-315/ 01104	160M	X	X	80	65	125	209	70	350	310	15	-	280	213	160	354	408	876	930	264	210	-	-	318	254	229	444	23	20	246	300	140	280
80-65-315/ 01504	160L	X	X	80	65	125	209	70	350	310	15	-	280	213	160	354	408	921	975	308	254	-	-	318	254	229	525	23	20	246	300	140	350
80-65-315/ 01854	180M	-	X	80	65	125	209	80	350	347	15	-	280	213	180	367	421	1006	1060	291	241	-	-	350	279	229	577	23	-	246	300	140	350
80-65-315/ 02204	180L	-	X	80	65	125	209	80	350	347	15	-	280	213	180	367	421	1034	1088	319	279	-	-	350	279	229	577	23	-	246	300	140	350
100-80-160 /00154	90L	X	-	100	80	125	138	-	200	174	-	160	225	153	-	118	118	598	642	-	-	225	130	-	-	174	299	-	-	156	200	140	190
100-80-160/ 00224	100L	X	-	100	80	125	138	-	250	192	-	160	225	153	-	118	118	625	669	-	-	225	130	-	-	174	338	-	-	170	214	140	211
100-80-160/ 00304	100L	X	X	100	80	125	138	-	250	192	-	160	225	153	-	118	118	625	669	-	-	225	130	-	-	174	338	-	-	170	214	140	211

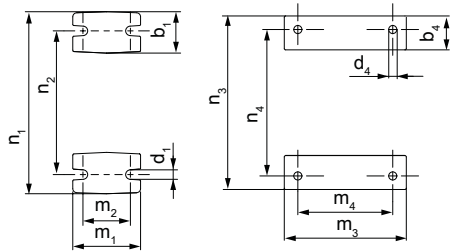
Size	Motor (IEC)	n		DN <sub>1</sub> (34)	DN <sub>2</sub> (34)	a (34)	a <sub>1</sub>	b <sub>4</sub>	d <sub>2</sub>	d <sub>3</sub>	d <sub>4</sub>	h <sub>1</sub>	h <sub>2</sub> (34)	h <sub>3</sub>	h <sub>4</sub>	i (35)	i (36)	l <sub>1</sub> (35)	l <sub>1</sub> (36)	m <sub>3</sub>	m <sub>4</sub>	n <sub>1</sub>	n <sub>2</sub>	n <sub>3</sub>	n <sub>4</sub>	p	p <sub>1</sub>	s <sub>2</sub>	u (37)	w (35)	w (36)	x (34)	Z
		1450	1750																														
		[rpm]																															
100-80-160/ 00404	112M	-	X	100	80	125	138	-	250	216	-	160	225	153	-	118	118	655	699	-	-	225	130	-	-	174	353	-	-	170	214	140	211
100-80-160/ 00554	132S	-	X	100	80	125	138	55	300	258	12	-	225	153	132	282	326	703	747	180	140	-	-	260	216	174	413	16	20	193	237	140	280
100-80-200/ 00224	100L	X	-	100	80	125	159	-	250	192	-	180	250	170	-	142	142	645	693	-	-	260	180	-	-	188	338	-	-	190	238	140	211
100-80-200/ 00304	100L	X	-	100	80	125	159	-	250	192	-	180	250	170	-	142	142	645	693	-	-	260	180	-	-	188	338	-	-	190	238	140	211
100-80-200/ 00404	112M	X	-	100	80	125	159	-	250	216	-	180	250	170	-	142	142	675	722	-	-	260	180	-	-	188	353	-	-	190	238	140	211
100-80-200/ 00554	132S	X	X	100	80	125	159	55	300	258	12	-	250	170	132	302	350	723	771	180	140	-	-	260	216	188	413	16	20	213	261	140	280
100-80-200/ 00754	132M	-	X	100	80	125	159	59	300	258	12	-	250	170	132	302	350	765	813	218	178	-	-	260	216	188	413	16	20	213	261	140	280
100-80-200/ 01104	160M	-	X	100	80	125	159	70	350	310	15	-	250	170	160	354	408	876	930	264	210	-	-	318	254	188	444	23	20	246	300	140	280
100-80-250/ 00404	112M	X	-	100	80	125	183	-	250	216	-	180	280	192	-	142	142	675	722	-	-	260	180	-	-	209	353	-	-	190	238	140	211
100-80-250/ 00554	132S	X	-	100	80	125	183	55	300	258	12	-	280	192	132	302	350	723	771	180	140	-	-	260	216	209	413	16	20	213	261	140	280
100-80-250/ 00754	132M	X	X	100	80	125	183	59	300	258	12	-	280	192	132	302	350	765	813	218	178	-	-	260	216	209	413	16	20	213	261	140	280
100-80-250/ 01104	160M	X	X	100	80	125	183	70	350	310	15	-	280	192	160	354	408	876	930	264	210	-	-	318	254	209	444	23	20	246	300	140	280
100-80-250/ 01504	160L	-	X	100	80	125	183	70	350	310	15	-	280	192	160	354	408	921	975	308	254	-	-	318	254	209	525	23	20	246	300	140	350
100-80-250/ 01854	180M	-	X	100	80	125	183	80	350	347	15	-	280	192	180	367	421	1006	1060	291	241	-	-	350	279	209	577	23	-	246	300	140	350
100-80-315/ 00754	132M	X	-	100	80	125	218	59	300	258	12	-	315	227	132	302	350	765	813	218	178	-	-	260	216	242	413	16	20	213	261	140	280
100-80-315/ 01104	160M	X	-	100	80	125	218	70	350	310	15	-	315	227	160	354	408	876	930	264	210	-	-	318	254	242	444	23	20	246	300	140	280
100-80-315/ 01504	160L	X	X	100	80	125	218	70	350	310	15	-	315	227	160	354	408	921	975	308	254	-	-	318	254	242	525	23	20	246	300	140	350
100-80-315/ 01854	180M	X	X	100	80	125	218	80	350	347	15	-	315	227	180	367	421	1006	1060	291	241	-	-	350	279	242	577	23	-	246	300	140	350
100-80-315/ 02204	180L	X	X	100	80	125	218	80	350	347	15	-	315	227	180	367	421	1034	1088	319	279	-	-	350	279	242	577	23	-	246	300	140	350
125-100-160/ 00304	100L	X	-	125	100	125	178	-	250	192	-	180	280	199	-	142	142	645	693	-	-	260	180	-	-	225	338	-	-	190	238	140	211
125-100-160/ 00404	112M	X	-	125	100	125	178	-	250	216	-	180	280	199	-	142	142	675	722	-	-	260	180	-	-	225	353	-	-	190	238	140	211
125-100-160/ 00554	132S	X	X	125	100	125	178	55	300	258	12	-	280	199	132	302	350	723	771	180	140	-	-	260	216	225	413	16	20	213	261	140	280
125-100-160/ 00754	132M	-	X	125	100	125	178	59	300	258	12	-	280	199	132	302	350	765	813	218	178	-	-	260	216	225	413	16	20	213	261	140	280
125-100-200/ 00404	112M	X	-	125	100	125	173	-	250	216	-	180	280	189	-	142	142	675	722	-	-	260	180	-	-	212	353	-	-	190	238	140	211
125-100-200/ 00554	132S	X	-	125	100	125	173	55	300	258	12	-	280	189	132	302	350	723	771	180	140	-	-	260	216	212	413	16	20	213	261	140	280
125-100-200/ 00754	132M	X	X	125	100	125	173	59	300	258	12	-	280	189	132	302	350	765	813	218	178	-	-	260	216	212	413	16	20	213	261	140	280
125-100-200/ 01104	160M	X	X	125	100	125	173	70	350	310	15	-	280	189	160	354	408	876	930	264	210	-	-	318	254	212	444	23	20	246	300	140	280
125-100-200/ 01504	160L	-	X	125	100	125	173	70	350	310	15	-	280	189	160	354	408	921	975	308	254	-	-	318	254	212	525	23	20	246	300	140	350
125-100-250/ 00754	132M	X	-	125	100	140	188	59	300	258	12	-	280	200	132	302	350	780	828	218	178	-	-	260	216	219	413	16	20	213	261	140	280
125-100-250/ 01104	160M	X	X	125	100	140	188	70	350	310	15	-	280	200	160	354	408	891	945	264	210	-	-	318	254	219	444	23	20	246	300	140	280
125-100-250/ 01504	160L	X	X	125	100	140	188	70	350	310	15	-	280	200	160	354	408	936	990	308	254	-	-	318	254	219	525	23	20	246	300	140	350
125-100-250/ 01854	180M	-	X	125	100	140	188	80	350	347	15	-	280	200	180	367	421	1021	1075	291	241	-	-	350	279	219	577	23	-	246	300	140	350
125-100-250/ 02204	180L	-	X	125	100	140	188	80	350	347	15	-	280	200	180	367	421	1049	1103	319	279	-	-	350	279	219	577	23	-	246	300	140	350
125-100-315/ 01504	160L	X	-	125	100	140	225	70	350	310	15	-	315	237	160	354	408	936	990	308	254	-	-	318	254	255	525	23	20	246	300	140	350
125-100-315/ 01854	180M	X	-	125	100	140	225	80	350	347	15	-	315	237	180	367	421	1021	1075	291	241	-	-	350	279	255	577	23	-	246	300	140	350
125-100-315/ 02204	180L	X	-	125	100	140	225	80	350	347	15	-	315	237	180	367	421	1049	1103	319	279	-	-	350	279	255	577	23	-	246	300	140	350
150-125-200/ 00754	132M	X	-	150	125	140	189	59	300	258	12	-	315	212	132	302	350	780	828	218	178	-	-	260	216	242	413	16	20	213	261	140	280
150-125-200/ 01104	160M	X	X	150	125	140	189	70	350	310	15	-	315	212	160	354	408	891	945	264	210	-	-	318	254	242	444	23	20	246	300	140	280
150-125-200/ 01504	160L	X	X	150	125	140	189	70	350	310	15	-	315	212	160	354	408	936	990	308	254	-	-	318	254	242	525	23	20	246	300	140	350
150-125-200/ 01854	180M	-	X	150	125	140	189	80	350	347	15	-	315	212	180	367	421	1021	1075	291	241	-	-	350	279	242	577	23	-	246	300	140	350
150-125-200/ 02204	180L	-	X	150	125	140	189	80	350	347	15	-	315	212	180	367	421	1049	1103	319	279	-	-	350	279	242	577	23	-	246	300	140	350

Size	Motor (IEC)	n		DN <sub>1</sub> <small>34)</small>	DN <sub>2</sub> <small>34)</small>	a <small>34)</small>	a <sub>1</sub>	b <sub>4</sub>	d <sub>2</sub>	d <sub>3</sub>	d <sub>4</sub>	h <sub>1</sub>	h <sub>2</sub> <small>34)</small>	h <sub>3</sub>	h <sub>4</sub>	i <small>35)</small>	i <small>36)</small>	l <sub>1</sub> <small>35)</small>	l <sub>1</sub> <small>36)</small>	m <sub>3</sub>	m <sub>4</sub>	n <sub>1</sub>	n <sub>2</sub>	n <sub>3</sub>	n <sub>4</sub>	p	p <sub>1</sub>	s <sub>2</sub>	u <small>37)</small>	w <small>35)</small>	w <small>36)</small>	x <small>34)</small>	Z
		1450	1750																														
		[rpm]																															
150-125-250/ 01104	160M	✗	-	150	125	140	226	70	350	310	15	-	355	248	160	354	408	891	945	264	210	-	-	318	254	275	444	23	20	246	300	140	280
150-125-250/ 01504	160L	✗	✗	150	125	140	226	70	350	310	15	-	355	248	160	354	408	936	990	308	254	-	-	318	254	275	525	23	20	246	300	140	350
150-125-250/ 01854	180M	✗	✗	150	125	140	226	80	350	347	15	-	355	248	180	367	421	1021	1075	291	241	-	-	350	279	275	577	23	-	246	300	140	350
150-125-250/ 02204	180L	-	✗	150	125	140	226	80	350	347	15	-	355	248	180	367	421	1049	1103	319	279	-	-	350	279	275	577	23	-	246	300	140	350
200-150-200/ 00754	132M	✗	-	200	150	160	240	59	300	258	12	-	400	277	132	302	350	800	847,5	218	178	-	-	260	216	316	413	16	20	213	261	140	280
200-150-200/ 01104	160M	✗	-	200	150	160	240	70	350	310	15	-	400	277	160	354	408	911	965	264	210	-	-	318	254	316	444	23	20	246	300	140	280
200-150-200/ 01504	160L	✗	✗	200	150	160	240	70	350	310	15	-	400	277	160	354	408	956	1010	308	254	-	-	318	254	316	525	23	20	246	300	140	350
200-150-200/ 01854	180M	-	✗	200	150	160	240	80	350	347	15	-	400	277	180	367	421	1041	1095	291	241	-	-	350	279	316	577	23	-	246	300	140	350
200-150-200/ 02204	180L	-	✗	200	150	160	240	80	350	347	15	-	400	277	180	367	421	1069	1123	319	279	-	-	350	279	316	577	23	-	246	300	140	350
200-150-250/ 01504	160L	✗	-	200	150	160	230	70	350	310	15	-	400	262	160	354	408	956	1010	308	254	-	-	318	254	300	525	23	20	246	300	140	350
200-150-250/ 01854	180M	✗	-	200	150	160	230	80	350	347	15	-	400	262	180	367	421	1041	1095	291	241	-	-	350	279	300	577	23	-	246	300	140	350
200-150-250/ 02204	180L	✗	✗	200	150	160	230	80	350	347	15	-	400	262	180	367	421	1069	1123	319	279	-	-	350	279	300	577	23	-	246	300	140	350

Pump set with volute casing foot and motor foot (variable speed version),  $\leq 22$  kW,  $n = 1450$  rpm /  $1750$  rpm



Etabloc PumpDrive (up to motor size 112)



Etabloc PumpDrive (from motor size 132 to 180)

n = 1450 rpm / n = 1750 rpm, material variants BB / CC / SB / SC / SG

Dimensions of Etabloc ≤ 22 kW<sup>38)</sup>

Values a<sub>1</sub>, b<sub>1</sub>, b<sub>4</sub>, d<sub>3</sub>, l<sub>1</sub>, m<sub>1</sub>, m<sub>3</sub>, n<sub>3</sub> and p may vary slightly for production-related reasons.

Size	Motor (IEC)	n		DN <sub>1</sub> <small>39)</small>	DN <sub>2</sub> <small>39)</small>	a <small>39)</small>	a <sub>1</sub>	b <sub>1</sub> <small>39)</small>	b <sub>4</sub>	d <sub>1</sub> <small>39)</small>	d <sub>2</sub>	d <sub>3</sub>	d <sub>4</sub>	h <sub>1</sub> <small>39)</small>	h <sub>2</sub> <small>39)</small>	h <sub>4</sub>	i <small>40)</small>	i <small>41)</small>	l <sub>1</sub> <small>40)</small>	l <sub>1</sub> <small>41)</small>	m <sub>1</sub> <small>39)</small>	m <sub>2</sub> <small>39)</small>	m <sub>3</sub>	m <sub>4</sub>	n <sub>1</sub> <small>39)</small>	n <sub>2</sub> <small>39)</small>	n <sub>3</sub>	n <sub>4</sub>	p	p <sub>1</sub>	s <sub>1</sub> <small>39)</small>	s <sub>2</sub>	u <small>42)</small>	w <small>40)</small>	w <small>41)</small>	x <small>39)</small>	z
		1450	1750																																		
		[rpm]																																			
40-25-160/ 00054	80M	-	X	40	25	80	118	50	-	14	200	154	-	132	160	-	-	-	169	-	100	70	-	-	240	190	-	-	118	294	15	-	-	156	-	100	190
40-25-160/ 00114	90S	X	X	40	25	80	118	50	-	14	200	174	-	132	160	-	-	-	506	550	100	70	-	-	240	190	-	-	118	299	15	-	-	156	200	100	190
40-25-200/ 00054	80M	X	X	40	25	80	142	50	-	14	200	154	-	160	180	-	-	-	469	-	100	70	-	-	240	190	-	-	142	294	15	-	-	156	-	100	190
40-25-200/ 00074	80M	-	X	40	25	80	142	50	-	14	200	154	-	160	180	-	-	-	469	-	100	70	-	-	240	190	-	-	142	294	15	-	-	156	-	100	190
40-25-200/ 00114	90S	-	X	40	25	80	142	50	-	14	200	174	-	160	180	-	-	-	506	550	100	70	-	-	240	190	-	-	142	299	15	-	-	156	200	100	190
50-32-125/ 00054	80M	X	X	50	32	80	115	50	-	14	200	154	-	112	140	-	-	-	469	-	100	70	-	-	190	140	-	-	115	294	15	-	-	156	-	100	190
50-32-125/ 00074	80M	-	X	50	32	80	115	50	-	14	200	154	-	112	140	-	-	-	469	-	100	70	-	-	190	140	-	-	115	294	15	-	-	156	-	100	190
50-32-125/ 00114	90S	X	X	50	32	80	115	50	-	14	200	174	-	112	140	-	-	-	506	550	100	70	-	-	190	140	-	-	115	299	15	-	-	156	200	100	190
50-32-125.1/ 00054	80M	X	X	50	32	80	116	50	-	14	200	154	-	112	140	-	-	-	469	-	100	70	-	-	190	140	-	-	116	294	15	-	-	156	-	100	190
50-32-125.1/ 00114	90S	X	X	50	32	80	116	50	-	14	200	174	-	112	140	-	-	-	506	550	100	70	-	-	190	140	-	-	116	299	15	-	-	156	200	100	190
50-32-160/ 00054	80M	X	X	50	32	80	118	50	-	14	200	154	-	132	160	-	-	-	469	-	100	70	-	-	240	190	-	-	128	294	15	-	-	156	-	100	190
50-32-160/ 00074	80M	X	X	50	32	80	118	50	-	14	200	154	-	132	160	-	-	-	469	-	100	70	-	-	240	190	-	-	128	294	15	-	-	156	-	100	190
50-32-160/ 00114	90S	-	X	50	32	80	118	50	-	14	200	174	-	132	160	-	-	-	506	550	100	70	-	-	240	190	-	-	128	299	15	-	-	156	200	100	190
50-32-160.1/ 00054	80M	X	X	50	32	80	116	50	-	14	200	154	-	132	160	-	-	-	469	-	100	70	-	-	240	190	-	-	121	294	15	-	-	156	-	100	190
50-32-160.1/ 00074	80M	-	X	50	32	80	116	50	-	14	200	154	-	132	160	-	-	-	469	-	100	70	-	-	240	190	-	-	121	294	15	-	-	156	-	100	190
50-32-200/ 00054	80M	X	-	50	32	80	142	50	-	14	200	154	-	160	180	-	-	-	469	-	100	70	-	-	240	190	-	-	143	294	18	-	-	156	-	100	190
50-32-200/ 00074	80M	X	-	50	32	80	142	50	-	14	200	154	-	160	180	-	-	-	469	-	100	70	-	-	240	190	-	-	143	294	18	-	-	156	-	100	190
50-32-200/ 00114	90S	X	X	50	32	80	142	50	-	14	200	174	-	160	180	-	-	-	506	550	100	70	-	-	240	190	-	-	143	299	18	-	-	156	200	100	190
50-32-200/ 00154	90L	-	X	50	32	80	142	50	-	14	200	174	-	160	180	-	-	-	553	596,5	100	70	-	-	240	190	-	-	143	299	18	-	-	156	200	100	190
50-32-200/ 00224	100L	-	X	50	32	80	142	50	-	14	250	192	-	160	180	-	-	-	580	624	100	70	-	-	240	190	-	-	143	338	18	-	-	170	214	100	211
50-32-200.1/ 00054	80M	X	X	50	32	80	142	50	-	14	200	154	-	160	180	-	-	-	469	-	100	70	-	-	240	190	-	-	142	294	18	-	-	156	-	100	190
50-32-200.1/ 00074	80M	X	X	50	32	80	142	50	-	14	200	154	-	160	180	-	-	-	469	-	100	70	-	-	240	190	-	-	142	294	18	-	-	156	-	100	190
50-32-200.1/ 00114	90S	-	X	50	32	80	142	50	-	14	200	174	-	160	180	-	-	-	506	550	100	70	-	-	240	190	-	-	142	299	18	-	-	156	200	100	190
50-32-200.1/ 00154	90L	-	X	50	32	80	142	50	-	14	200	174	-	160	180	-	-	-	553	596,5	100	70	-	-	240	190	-	-	142	299	18	-	-	156	200	100	190
50-32-250/ 00114	90S	X	-	50	32	100	169	65	-	14	200	174	-	180	225	-	-	-	526	570	125	95	-	-	320	250	-	-	178	299	18	-	-	156	200	100	190
50-32-250/ 00154	90L	X	X	50	32	100	169	65	-	14	200	174	-	180	225	-	-	-	573	616,5	125	95	-	-	320	250	-	-	178	299	18	-	-	156	200	100	190
50-32-250/ 00224	100L	X	X	50	32	100	169	65	-	14	250	192	-	180	225	-	-	-	600	644	125	95	-	-	320	250	-	-	178	338	18	-	-	170	214	100	211
50-32-250/ 00304	100L	-	X	50	32	100	169	65	-	14	250	192	-	180	225	-	-	-	600	644	125	95	-	-	320	250	-	-	178	338	18	-	-	170	214	100	211
50-32-250/ 00404	112M	-	X	50	32	100	169	65	-	14	250	216	-	180	225	-	-	-	630	673,5	125	95	-	-	320	250	-	-	178	353	18	-	-	170	214	100	211
50-32-250.1/ 00074	80M	X	-	50	32	100	168	65	-	14	200	154	-	180	225	-	-	-	489	-	125	95	-	-	320	250	-	-	168	294	18	-	-	156	-	100	190
50-32-250.1/ 00114	90S	X	X	50	32	100	168	65	-	14	200	174	-	180	225	-	-	-	526	570	125	95	-	-	320	250	-	-	168	299	18	-	-	156	200	100	190

38) Tolerances of mating dimensions to EN 735  
 39) Dimensions to EN 733  
 40) Dimension with single mechanical seal (A, AV, IA, EA, FA)  
 41) Dimension with double mechanical seal (DB, TI)  
 42) Motor feet must be shimmed.

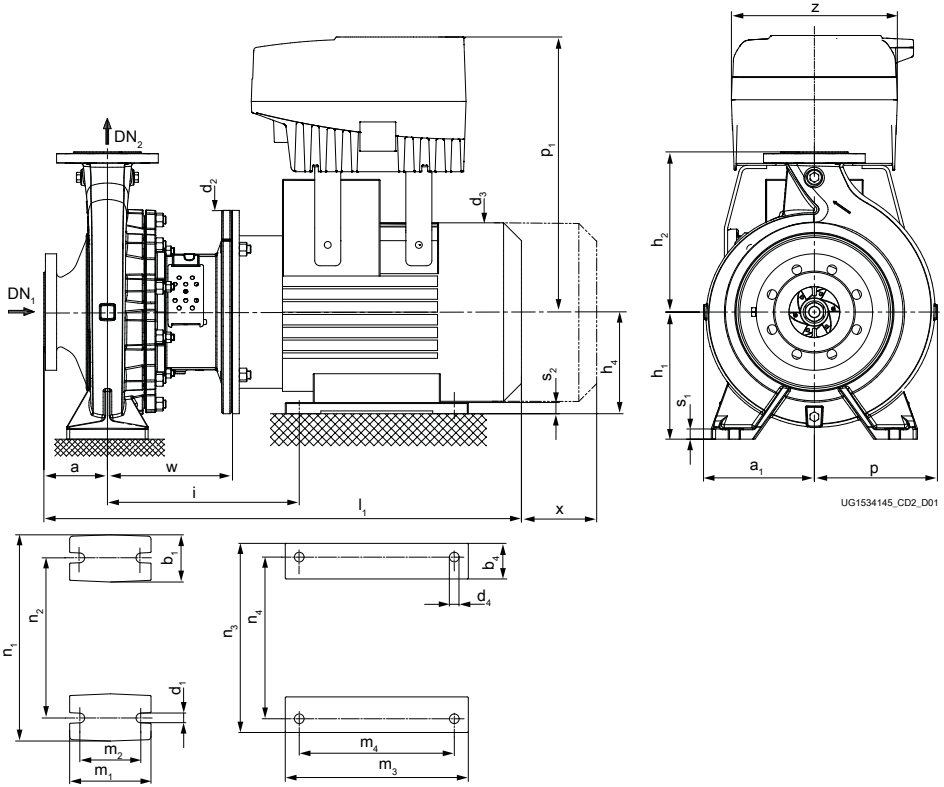






Size	Motor (IEC)	n		DN <sub>1</sub> <small>39)</small>	DN <sub>2</sub> <small>39)</small>	a <small>39)</small>	a <sub>1</sub>	b <sub>1</sub> <small>39)</small>	b <sub>4</sub>	d <sub>1</sub> <small>39)</small>	d <sub>2</sub>	d <sub>3</sub>	d <sub>4</sub>	h <sub>1</sub> <small>39)</small>	h <sub>2</sub> <small>39)</small>	h <sub>4</sub>	i <small>40)</small>	i <small>41)</small>	l <sub>1</sub> <small>40)</small>	l <sub>1</sub> <small>41)</small>	m <sub>1</sub> <small>39)</small>	m <sub>2</sub> <small>39)</small>	m <sub>3</sub>	m <sub>4</sub>	n <sub>1</sub> <small>39)</small>	n <sub>2</sub> <small>39)</small>	n <sub>3</sub>	n <sub>4</sub>	p	p <sub>1</sub>	s <sub>1</sub> <small>39)</small>	s <sub>2</sub>	u <small>42)</small>	w <small>40)</small>	w <small>41)</small>	x <small>39)</small>	z
		1450	1750																																		
		[rpm]																																			
150-125-250/ 01104	160M	✗	-	150	125	140	226	80	70	19	350	310	15	250	355	160	354	408	891	945	160	120	264	210	400	315	318	254	275	444	20	23	20	246	300	140	280
150-125-250/ 01504	160L	✗	✗	150	125	140	226	80	70	19	350	310	15	250	355	160	354	408	936	990	160	120	308	254	400	315	318	254	275	525	20	23	20	246	300	140	350
150-125-250/ 01854	180M	✗	✗	150	125	140	226	80	80	19	350	347	15	250	355	180	367	421	1021	1075	160	120	291	241	400	315	350	279	275	577	20	23	-	246	300	140	350
150-125-250/ 02204	180L	-	✗	150	125	140	226	80	80	19	350	347	15	250	355	180	367	421	1049	1103	160	120	319	279	400	315	350	279	275	577	20	23	-	246	300	140	350
200-150-200/ 00754	132M	✗	-	200	150	160	240	100	59	24	300	258	12	280	400	132	302	350	800	847,5	200	150	218	178	550	450	260	216	316	413	20	16	20	213	261	140	280
200-150-200/ 01104	160M	✗	-	200	150	160	240	100	70	24	350	310	15	280	400	160	354	408	911	965	200	150	264	210	550	450	318	254	316	444	20	23	20	246	300	140	280
200-150-200/ 01504	160L	✗	✗	200	150	160	240	100	70	24	350	310	15	280	400	160	354	408	956	1010	200	150	308	254	550	450	318	254	316	525	20	23	20	246	300	140	350
200-150-200/ 01854	180M	-	✗	200	150	160	240	100	80	24	350	347	15	280	400	180	367	421	1041	1095	200	150	291	241	550	450	350	279	316	577	20	23	-	246	300	140	350
200-150-200/ 02204	180L	-	✗	200	150	160	240	100	80	24	350	347	15	280	400	180	367	421	1069	1123	200	150	319	279	550	450	350	279	316	577	20	23	-	246	300	140	350
200-150-250/ 01504	160L	✗	-	200	150	160	230	100	70	24	350	310	15	280	400	160	354	408	956	1010	200	150	308	254	500	400	318	254	300	525	20	23	20	246	300	140	350
200-150-250/ 01854	180M	✗	-	200	150	160	230	100	80	24	350	347	15	280	400	180	367	421	1041	1095	200	150	291	241	500	400	350	279	300	577	20	23	-	246	300	140	350
200-150-250/ 02204	180L	✗	✗	200	150	160	230	100	80	24	350	347	15	280	400	180	367	421	1069	1123	200	150	319	279	500	400	350	279	300	577	20	23	-	246	300	140	350

Pump set with volute casing foot and motor foot (variable speed version), 30 kW to 45 kW,  $n = 1450 \text{ rpm} / 1750 \text{ rpm}$



Etabloc PumpDrive (from motor size 200 to 225)

n = 1450 rpm / n = 1750 rpm, material variants GG / GB / GC / BB / CC / SB / SC / SG

Dimensions of Etabloc from 30 kW to 45 kW<sup>43)</sup>

Values a<sub>1</sub>, b<sub>1</sub>, b<sub>4</sub>, d<sub>3</sub>, l<sub>1</sub>, m<sub>1</sub>, m<sub>3</sub>, n<sub>3</sub> and p may vary slightly for production-related reasons.

Size	Motor (IEC)	n		DN <sub>1</sub> <small>(44)</small>	DN <sub>2</sub> <small>(44)</small>	a <small>(44)</small>	a <sub>1</sub>	b <sub>1</sub> <small>(44)</small>	b <sub>4</sub>	d <sub>1</sub> <small>(44)</small>	d <sub>2</sub>	d <sub>3</sub>	d <sub>4</sub>	h <sub>1</sub> <small>(44)</small>	h <sub>2</sub> <small>(44)</small>	h <sub>4</sub>	i <small>(45)</small>	i <small>(46)</small>	l <sub>1</sub> <small>(45)</small>	l <sub>1</sub> <small>(46)</small>	m <sub>1</sub> <small>(44)</small>	m <sub>2</sub> <small>(44)</small>	m <sub>3</sub>	m <sub>4</sub>	n <sub>1</sub> <small>(44)</small>	n <sub>2</sub> <small>(44)</small>	n <sub>3</sub>	n <sub>4</sub>	p	p <sub>1</sub>	s <sub>1</sub> <small>(44)</small>	s <sub>2</sub>	w <small>(45)</small>	w <small>(46)</small>	x <small>(44)</small>	z
		1450	1750																																	
		[rpm]																																		
100-80-315/ 03004	200L	-	X	100	80	125	218	80	85	19	400	381	19	250	315	200	379	437	1107	1165	160	120	365	305	400	315	380	318	242	626	20	23	246	304	140	350
100-80-315/ 03704	225S	-	X	100	80	125	218	80	100	19	450	431	19	250	315	225	426	483	1149	1206	160	120	346	286	400	315	436	356	242	699	20	30	277	334	140	455
100-80-400/ 03004	200L	X	X	100	80	125	257	80	85	19	400	381	19	280	355	200	379	437	1107	1165	160	120	365	305	435	355	380	318	280	626	20	23	246	304	140	350
100-80-400/ 03704	225S	X	X	100	80	125	257	80	100	19	450	431	19	280	355	225	426	483	1149	1206	160	120	346	286	435	355	436	356	280	699	20	30	277	334	140	455
100-80-400/ 04504	225M	-	X	100	80	125	257	80	100	19	450	431	19	280	355	225	426	483	1174	1231	160	120	371	311	435	355	436	356	280	699	20	30	277	334	140	455
125-100-315/ 03004	200L	X	X	125	100	140	225	80	85	19	400	381	19	250	315	200	379	437	1122	1180	160	120	365	305	400	315	380	318	255	626	18	23	246	304	140	350
125-100-315/ 03704	225S	-	X	125	100	140	225	80	100	19	450	431	19	250	315	225	426	483	1164	1221	160	120	346	286	400	315	436	356	255	699	18	30	277	334	140	455
125-100-315/ 04504	225M	-	X	125	100	140	225	80	100	19	450	431	19	250	315	225	426	483	1189	1246	160	120	371	311	400	315	436	356	255	699	18	30	277	334	140	455
125-100-400/ 03004	200L	X	-	125	100	140	255	100	85	24	400	381	19	280	355	200	379	437	1122	1180	200	150	365	305	500	400	380	318	283	626	20	23	246	304	140	350
125-100-400/ 03704	225S	X	X	125	100	140	255	100	100	24	450	431	19	280	355	225	426	483	1164	1221	200	150	346	286	500	400	436	356	283	699	20	30	277	334	140	455
125-100-400/ 04504	225M	X	X	125	100	140	255	100	100	24	450	431	19	280	355	225	426	483	1189	1246	200	150	371	311	500	400	436	356	283	699	20	30	277	334	140	455
150-125-250/ 03004	200L	-	X	150	125	140	226	80	85	19	400	381	19	250	355	200	379	437	1122	1180	160	120	365	305	400	315	380	318	275	626	20	23	246	304	140	350
150-125-315/ 03004	200L	X	X	150	125	140	243	100	85	24	400	381	19	280	355	200	379	437	1122	1180	200	150	365	305	500	400	380	318	280	626	20	23	246	304	140	350
150-125-315/ 03704	225S	X	X	150	125	140	243	100	100	24	450	431	19	280	355	225	426	483	1164	1221	200	150	346	286	500	400	436	356	280	699	20	30	277	334	140	455
150-125-315/ 04504	225M	-	X	150	125	140	243	100	100	24	450	431	19	280	355	225	426	483	1189	1246	200	150	371	311	500	400	436	356	280	699	20	30	277	334	140	455
150-125-400/ 03004	200L	X	-	150	125	140	277	100	85	24	400	381	19	315	400	200	379	437	1122	1180	200	150	365	305	500	400	380	318	309	626	20	23	246	304	140	350
150-125-400/ 03704	225S	X	-	150	125	140	277	100	100	24	450	431	19	315	400	225	426	483	1164	1221	200	150	346	286	500	400	436	356	309	699	20	30	277	334	140	455
150-125-400/ 04504	225M	X	-	150	125	140	277	100	100	24	450	431	19	315	400	225	426	483	1189	1246	200	150	371	311	500	400	436	356	309	699	20	30	277	334	140	455
200-150-200/ 03004	200L	-	X	200	150	160	240	100	85	24	400	381	19	280	400	200	379	437	1142	1200	200	150	365	305	550	450	380	318	316	626	20	23	246	304	140	350
200-150-250/ 03004	200L	X	X	200	150	160	230	100	85	24	400	381	19	280	400	200	379	437	1142	1200	200	150	365	305	500	400	380	318	300	626	20	23	246	304	140	350
200-150-250/ 03704	225S	-	X	200	150	160	230	100	100	24	450	431	19	280	400	225	426	483	1184	1241	200	150	346	286	500	400	436	356	300	699	20	30	277	334	140	455
200-150-250/ 04504	225M	-	X	200	150	160	230	100	100	24	450	431	19	280	400	225	426	483	1209	1266	200	150	371	311	500	400	436	356	300	699	20	30	277	334	140	455
200-150-315/ 03004	200L	X	-	200	150	160	255	100	85	24	400	381	19	280	400	200	379	437	1142	1200	200	150	365	305	550	450	380	318	304	626	20	23	246	304	140	350
200-150-315/ 03704	225S	X	X	200	150	160	255	100	100	24	450	431	19	280	400	225	426	483	1184	1241	200	150	346	286	550	450	436	356	304	699	20	30	277	334	140	455
200-150-315/ 04504	225M	X	X	200	150	160	255	100	100	24	450	431	19	280	400	225	426	483	1209	1266	200	150	371	311	550	450	436	356	304	699	20	30	277	334	140	455
200-150-400/ 04504	225M	X	-	200	150	160	289	100	100	24	450	431	19	315	450	225	426	483	1209	1266	200	150	371	311	550	450	436	356	331	699	20	30	277	334	140	455

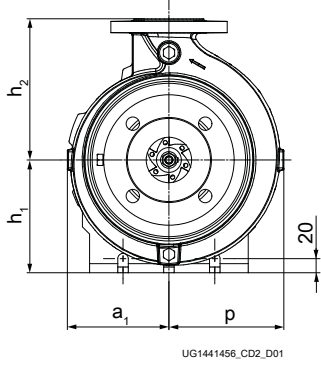
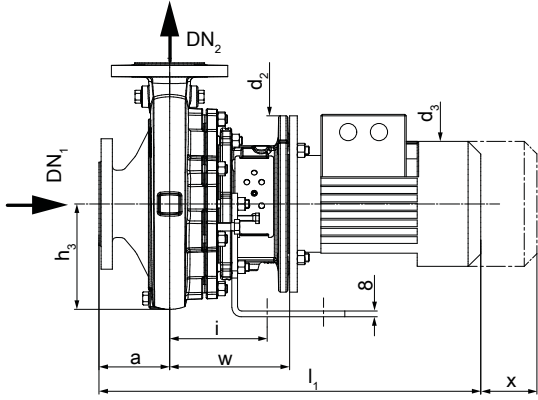
43) Tolerances of mating dimensions to EN 735

44) Dimensions to EN 733

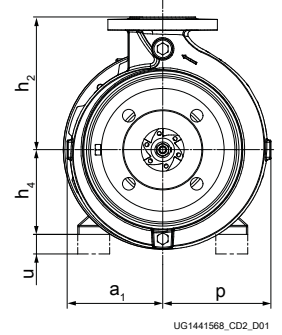
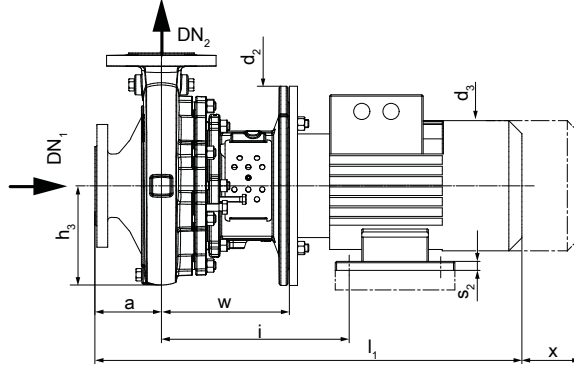
45) Dimension with single mechanical seal (A, AV, IA, EA, FA)

46) Dimension with double mechanical seal (DB, TI)

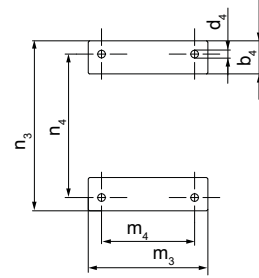
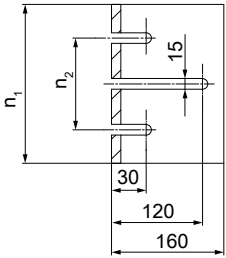
Pump set with support foot and motor foot (fixed speed version),  $\leq 22$  kW,  $n = 2900$  rpm /  $3500$  rpm



UG1441456\_CD2\_D01



UG1441568\_CD2\_D01



Dimensions [mm]

Pump set with support foot (up to motor size 112)

Pump set with motor foot (motor sizes 132 to 180)

n = 2900 rpm / n = 3500 rpm, material variant GG / GB / GC

Dimensions of Etabloc ≤ 22 kW<sup>47)</sup>

Values a<sub>1</sub>, b<sub>4</sub>, d<sub>3</sub>, l<sub>1</sub>, m<sub>3</sub>, n<sub>3</sub> and p may vary slightly for production-related reasons.

Size	Motor (IEC)	n		DN <sub>1</sub> <small>(48)</small>	DN <sub>2</sub> <small>(48)</small>	a <small>(48)</small>	a <sub>1</sub>	b <sub>4</sub>	d <sub>2</sub>	d <sub>3</sub>	d <sub>4</sub>	h <sub>1</sub>	h <sub>2</sub> <small>(48)</small>	h <sub>3</sub>	h <sub>4</sub>	i <small>(49)</small>	i <small>(50)</small>	l <sub>1</sub> <small>(49)</small>	l <sub>1</sub> <small>(50)</small>	m <sub>3</sub>	m <sub>4</sub>	n <sub>1</sub>	n <sub>2</sub>	n <sub>3</sub>	n <sub>4</sub>	p	s <sub>2</sub>	u <small>(51)</small>	w <small>(49)</small>	w <small>(50)</small>	x <small>(48)</small>
		2900	3500																												
		[rpm]																													
40-25-160/ 00072	80M	X	-	40	25	80	118	-	200	162	-	160	160	107	-	118	-	501	-	-	-	225	130	-	-	118	-	-	156	-	100
40-25-160/ 00112	80M	X	X	40	25	80	118	-	200	162	-	160	160	107	-	118	-	537	-	-	-	225	130	-	-	118	-	-	156	-	100
40-25-160/ 00152	90S	X	X	40	25	80	118	-	200	190	-	160	160	107	-	118	118	590	634	-	-	225	130	-	-	118	-	-	156	200	100
40-25-160/ 00222	90L	X	X	40	25	80	118	-	200	190	-	160	160	107	-	118	118	590	634	-	-	225	130	-	-	118	-	-	156	200	100
40-25-160/ 00302	100L	-	X	40	25	80	118	-	250	213	-	160	160	107	-	118	118	640	684	-	-	225	130	-	-	118	-	-	170	214	100
40-25-160/ 00402	112M	-	X	40	25	80	118	-	250	235	-	160	160	107	-	118	118	622	666	-	-	225	130	-	-	118	-	-	170	214	100
40-25-200/ 00152	90S	X	-	40	25	80	142	-	200	190	-	160	180	137	-	118	118	590	634	-	-	225	130	-	-	142	-	-	156	200	100
40-25-200/ 00222	90L	X	-	40	25	80	142	-	200	190	-	160	180	137	-	118	118	590	634	-	-	225	130	-	-	142	-	-	156	200	100
40-25-200/ 00302	100L	X	X	40	25	80	142	-	250	213	-	160	180	137	-	118	118	640	684	-	-	225	130	-	-	142	-	-	170	214	100
40-25-200/ 00402	112M	X	X	40	25	80	142	-	250	235	-	160	180	137	-	118	118	622	666	-	-	225	130	-	-	142	-	-	170	214	100
40-25-200/ 00552	132S	X	X	40	25	80	142	55	300	274	12	-	180	137	132	282	326	686	730	220	140	-	-	270	216	142	15	20	193	237	100
40-25-200/ 00752	132S	-	X	40	25	80	142	55	300	274	12	-	180	137	132	282	326	730	774	220	140	-	-	270	216	142	15	20	193	237	100
50-32-125/ 00112	80M	X	-	50	32	80	115	-	200	162	-	160	140	100	-	118	-	537	-	-	-	225	130	-	-	115	-	-	156	-	100
50-32-125/ 00152	90S	X	X	50	32	80	115	-	200	190	-	160	140	100	-	118	118	590	634	-	-	225	130	-	-	115	-	-	156	200	100
50-32-125/ 00222	90L	X	X	50	32	80	115	-	200	190	-	160	140	100	-	118	118	590	634	-	-	225	130	-	-	115	-	-	156	200	100
50-32-125/ 00302	100L	X	X	50	32	80	115	-	250	213	-	160	140	100	-	118	118	640	684	-	-	225	130	-	-	115	-	-	170	214	100
50-32-125/ 00402	112M	-	X	50	32	80	115	-	250	235	-	160	140	100	-	118	118	622	666	-	-	225	130	-	-	115	-	-	170	214	100
50-32-125/ 00552	132S	-	X	50	32	80	115	55	300	274	12	-	140	100	132	282	326	686	730	220	140	-	-	270	216	115	15	20	193	237	100
50-32-125.1/ 00052	71M	X	-	50	32	80	116	-	160	145	-	160	140	100	-	118	-	453	-	-	-	225	130	-	-	116	-	-	136	-	100
50-32-125.1/ 00072	80M	X	-	50	32	80	116	-	200	162	-	160	140	100	-	118	-	501	-	-	-	225	130	-	-	116	-	-	156	-	100
50-32-125.1/ 00112	80M	X	-	50	32	80	116	-	200	162	-	160	140	100	-	118	-	537	-	-	-	225	130	-	-	116	-	-	156	-	100
50-32-125.1/ 00152	90S	X	-	50	32	80	116	-	200	190	-	160	140	100	-	118	118	590	634	-	-	225	130	-	-	116	-	-	156	200	100
50-32-125.1/ 00222	90L	X	-	50	32	80	116	-	200	190	-	160	140	100	-	118	118	590	634	-	-	225	130	-	-	116	-	-	156	200	100
50-32-125.1/ 00302	100L	-	X	50	32	80	116	-	250	213	-	160	140	100	-	118	118	640	684	-	-	225	130	-	-	116	-	-	170	214	100
50-32-125.1/ 00402	112M	-	X	50	32	80	116	-	250	235	-	160	140	100	-	118	118	622	666	-	-	225	130	-	-	116	-	-	170	214	100
50-32-125.1/ 00552	132S	-	X	50	32	80	116	55	300	274	12	-	140	100	132	282	326	686	730	220	140	-	-	270	216	116	15	20	193	237	100
50-32-160/ 00222	90L	X	-	50	32	80	118	-	200	190	-	160	160	115	-	118	118	590	634	-	-	225	130	-	-	128	-	-	156	200	100
50-32-160/ 00302	100L	X	X	50	32	80	118	-	250	213	-	160	160	115	-	118	118	640	684	-	-	225	130	-	-	128	-	-	170	214	100
50-32-160/ 00402	112M	X	X	50	32	80	118	-	250	235	-	160	160	115	-	118	118	622	666	-	-	225	130	-	-	128	-	-	170	214	100
50-32-160/ 00552	132S	-	X	50	32	80	118	55	300	274	12	-	160	115	132	282	326	686	730	220	140	-	-	270	216	128	15	20	193	237	100
50-32-160/ 00752	132S	-	X	50	32	80	118	55	300	274	12	-	160	115	132	282	326	730	774	220	140	-	-	270	216	128	15	20	193	237	100

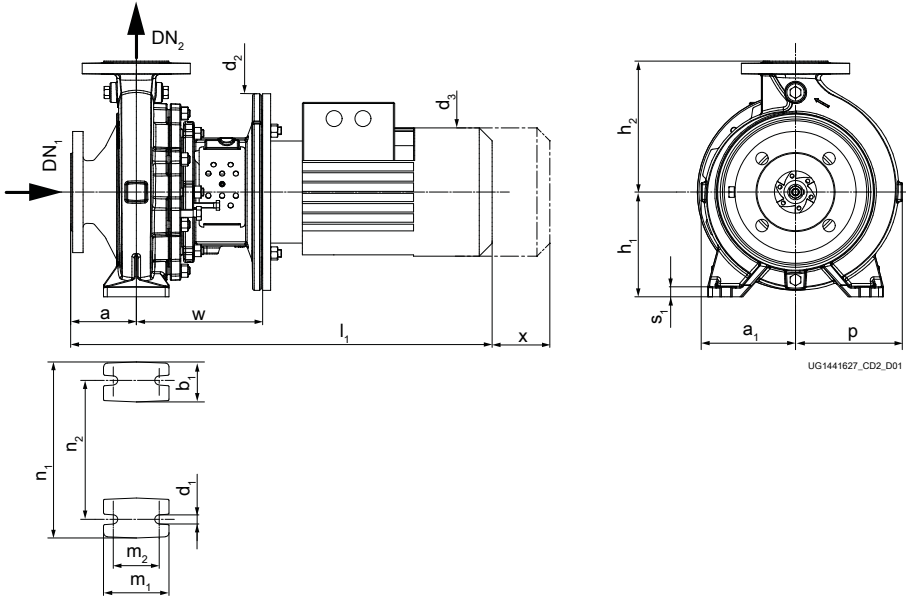
47) Tolerances of mating dimensions to EN 735  
 48) Dimensions to EN 733  
 49) Dimension with single mechanical seal (A, IA, EA, FA)  
 50) Dimension with double mechanical seal (DB, TI)  
 51) Motor feet must be shimmed.

Size	Motor (IEC)	n		DN <sub>1</sub> (48)	DN <sub>2</sub> (48)	a (48)	a <sub>1</sub>	b <sub>4</sub>	d <sub>2</sub>	d <sub>3</sub>	d <sub>4</sub>	h <sub>1</sub>	h <sub>2</sub> (48)	h <sub>3</sub>	h <sub>4</sub>	i (49)	i (50)	l <sub>1</sub> (49)	l <sub>1</sub> (50)	m <sub>3</sub>	m <sub>4</sub>	n <sub>1</sub>	n <sub>2</sub>	n <sub>3</sub>	n <sub>4</sub>	p	s <sub>2</sub>	u (51)	w (49)	w (50)	x (48)
		2900	3500																												
		[rpm]																													
50-32-160.1/ 00152	90S	X	-	50	32	80	116	-	200	190	-	160	160	111	-	118	118	590	634	-	-	225	130	-	-	121	-	-	156	200	100
50-32-160.1/ 00222	90L	X	X	50	32	80	116	-	200	190	-	160	160	111	-	118	118	590	634	-	-	225	130	-	-	121	-	-	156	200	100
50-32-160.1/ 00302	100L	X	X	50	32	80	116	-	250	213	-	160	160	111	-	118	118	640	684	-	-	225	130	-	-	121	-	-	170	214	100
50-32-160.1/ 00402	112M	X	X	50	32	80	116	-	250	235	-	160	160	111	-	118	118	622	666	-	-	225	130	-	-	121	-	-	170	214	100
50-32-160.1/ 00552	132S	-	X	50	32	80	116	55	300	274	12	-	160	111	132	282	326	686	730	220	140	-	-	270	216	121	15	20	193	237	100
50-32-160.1/ 00752	132S	-	X	50	32	80	116	55	300	274	12	-	160	111	132	282	326	730	774	220	140	-	-	270	216	121	15	20	193	237	100
50-32-160.1/ 01102	160M	-	X	50	32	80	116	70	350	325	15	-	160	111	160	334	378	852	896	310	210	-	-	323	254	121	21	20	226	270	100
50-32-200/ 00402	112M	X	-	50	32	80	142	-	250	235	-	160	180	137	-	118	118	622	666	-	-	225	130	-	-	143	-	-	170	214	100
50-32-200/ 00552	132S	X	-	50	32	80	142	55	300	274	12	-	180	137	132	282	326	686	730	220	140	-	-	270	216	143	15	20	193	237	100
50-32-200/ 00752	132S	X	X	50	32	80	142	55	300	274	12	-	180	137	132	282	326	730	774	220	140	-	-	270	216	143	15	20	193	237	100
50-32-200/ 01102	160M	X	X	50	32	80	142	70	350	325	15	-	180	137	160	334	378	852	896	310	210	-	-	323	254	143	21	20	226	270	100
50-32-200/ 01502	160M	-	X	50	32	80	142	70	350	325	15	-	180	137	160	334	378	852	896	310	210	-	-	323	254	143	21	20	226	270	100
50-32-200.1/ 00302	100L	X	-	50	32	80	142	-	250	213	-	160	180	136	-	118	118	640	684	-	-	225	130	-	-	142	-	-	170	214	100
50-32-200.1/ 00402	112M	X	-	50	32	80	142	-	250	235	-	160	180	136	-	118	118	622	666	-	-	225	130	-	-	142	-	-	170	214	100
50-32-200.1/ 00552	132S	X	X	50	32	80	142	55	300	274	12	-	180	136	132	282	326	686	730	220	140	-	-	270	216	142	15	20	193	237	100
50-32-200.1/ 00752	132S	X	X	50	32	80	142	55	300	274	12	-	180	136	132	282	326	730	774	220	140	-	-	270	216	142	15	20	193	237	100
50-32-200.1/ 01102	160M	-	X	50	32	80	142	70	350	325	15	-	180	136	160	334	378	852	896	310	210	-	-	323	254	142	21	20	226	270	100
50-32-200.1/ 01502	160M	-	X	50	32	80	142	70	350	325	15	-	180	136	160	334	378	852	896	310	210	-	-	323	254	142	21	20	226	270	100
50-32-250/ 00752	132S	X	-	50	32	100	169	55	300	274	12	-	225	166	132	282	326	750	794	220	140	-	-	270	216	178	15	20	193	237	100
50-32-250/ 01102	160M	X	X	50	32	100	169	70	350	325	15	-	225	166	160	334	378	872	916	310	210	-	-	323	254	178	21	20	226	270	100
50-32-250/ 01502	160M	X	X	50	32	100	169	70	350	325	15	-	225	166	160	334	378	872	916	310	210	-	-	323	254	178	21	20	226	270	100
50-32-250/ 01852	160L	-	X	50	32	100	169	70	350	325	15	-	225	166	160	334	378	908	952	314	254	-	-	323	254	178	21	20	226	270	100
50-32-250/ 02202	180M	-	X	50	32	100	169	80	350	370	15	-	225	166	180	347	391	943	987	343	241	-	-	368	279	178	23	-	226	270	100
50-32-250.1/ 00552	132S	X	-	50	32	100	168	55	300	274	12	-	225	166	132	282	326	706	750	220	140	-	-	270	216	168	15	20	193	237	100
50-32-250.1/ 00752	132S	X	X	50	32	100	168	55	300	274	12	-	225	166	132	282	326	750	794	220	140	-	-	270	216	168	15	20	193	237	100
50-32-250.1/ 01102	160M	X	X	50	32	100	168	70	350	325	15	-	225	166	160	334	378	872	916	310	210	-	-	323	254	168	21	20	226	270	100
50-32-250.1/ 01502	160M	X	X	50	32	100	168	70	350	325	15	-	225	166	160	334	378	872	916	310	210	-	-	323	254	168	21	20	226	270	100
50-32-250.1/ 01852	160L	-	X	50	32	100	168	70	350	325	15	-	225	166	160	334	378	908	952	314	254	-	-	323	254	168	21	20	226	270	100
65-40-125/ 00152	90S	X	-	65	40	80	117	-	200	190	-	160	140	107	-	118	118	590	634	-	-	225	130	-	-	117	-	-	156	200	100
65-40-125/ 00222	90L	X	-	65	40	80	117	-	200	190	-	160	140	107	-	118	118	590	634	-	-	225	130	-	-	117	-	-	156	200	100
65-40-125/ 00302	100L	X	-	65	40	80	117	-	250	213	-	160	140	107	-	118	118	640	684	-	-	225	130	-	-	117	-	-	170	214	100
65-40-125/ 00402	112M	X	X	65	40	80	117	-	250	235	-	160	140	107	-	118	118	622	666	-	-	225	130	-	-	117	-	-	170	214	100
65-40-125/ 00552	132S	-	X	65	40	80	117	55	300	274	12	-	140	107	132	282	326	686	730	220	140	-	-	270	216	117	15	20	193	237	100
65-40-125/ 00752	132S	-	X	65	40	80	117	55	300	274	12	-	140	107	132	282	326	730	774	220	140	-	-	270	216	117	15	20	193	237	100
65-40-125/ 01102	160M	-	X	65	40	80	117	70	350	325	15	-	140	107	160	334	378	852	896	310	210	-	-	323	254	117	21	20	226	270	100
65-40-160/ 00302	100L	X	-	65	40	80	119	-	250	213	-	160	160	119	-	118	118	640	684	-	-	225	130	-	-	134	-	-	170	214	100
65-40-160/ 00402	112M	X	-	65	40	80	119	-	250	235	-	160	160	119	-	118	118	622	666	-	-	225	130	-	-	134	-	-	170	214	100
65-40-160/ 00552	132S	X	X	65	40	80	119	55	300	274	12	-	160	119	132	282	326	686	730	220	140	-	-	270	216	134	15	20	193	237	100
65-40-160/ 00752	132S	X	X	65	40	80	119	55	300	274	12	-	160	119	132	282	326	730	774	220	140	-	-	270	216	134	15	20	193	237	100
65-40-160/ 01102	160M	-	X	65	40	80	119	70	350	325	15	-	160	119	160	334	378	852	896	310	210	-	-	323	254	134	21	20	226	270	100
65-40-160/ 01502	160M	-	X	65	40	80	119	70	350	325	15	-	160	119	160	334	378	852	896	310	210	-	-	323	254	134	21	20	226	270	100

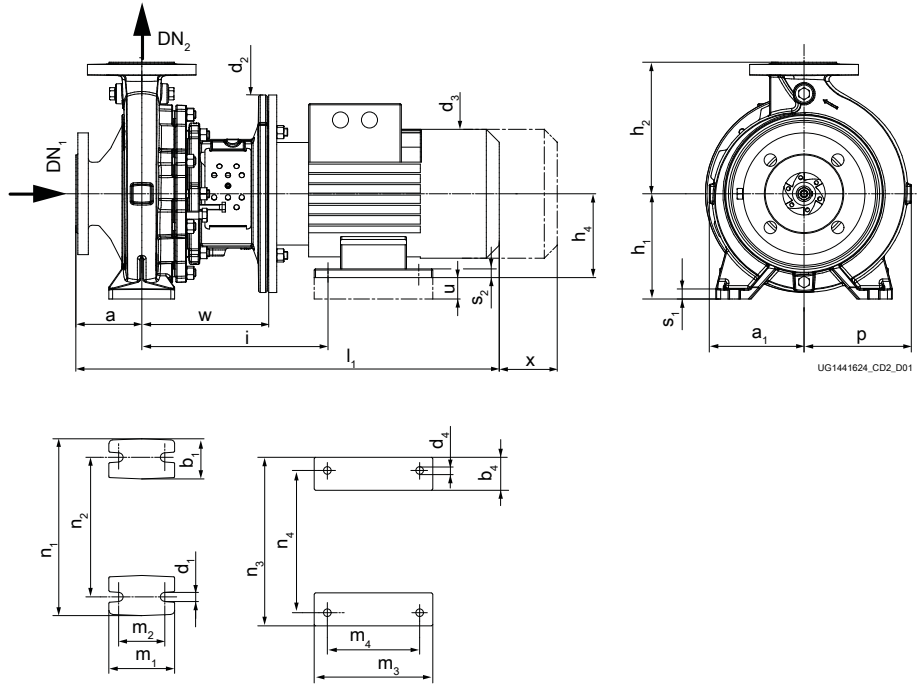
Size	Motor (IEC)	n		DN <sub>1</sub> <sup>(48)</sup>	DN <sub>2</sub> <sup>(48)</sup>	a <sup>(48)</sup>	a <sub>1</sub>	b <sub>4</sub>	d <sub>2</sub>	d <sub>3</sub>	d <sub>4</sub>	h <sub>1</sub>	h <sub>2</sub> <sup>(48)</sup>	h <sub>3</sub>	h <sub>4</sub>	i <sup>(49)</sup>	i <sup>(50)</sup>	l <sub>1</sub> <sup>(49)</sup>	l <sub>1</sub> <sup>(50)</sup>	m <sub>3</sub>	m <sub>4</sub>	n <sub>1</sub>	n <sub>2</sub>	n <sub>3</sub>	n <sub>4</sub>	p	s <sub>2</sub>	u <sup>(51)</sup>	w <sup>(49)</sup>	w <sup>(50)</sup>	x <sup>(48)</sup>
		2900	3500																												
65-40-200/ 00552	132S	X	-	65	40	100	142	55	300	274	12	-	180	141	132	282	326	706	750	220	140	-	-	270	216	155	15	20	193	237	100
65-40-200/ 00752	132S	X	-	65	40	100	142	55	300	274	12	-	180	141	132	282	326	750	794	220	140	-	-	270	216	155	15	20	193	237	100
65-40-200/ 01102	160M	X	X	65	40	100	142	70	350	325	15	-	180	141	160	334	378	872	916	310	210	-	-	323	254	155	21	20	226	270	100
65-40-200/ 01502	160M	X	X	65	40	100	142	70	350	325	15	-	180	141	160	334	378	872	916	310	210	-	-	323	254	155	21	20	226	270	100
65-40-200/ 01852	160L	X	X	65	40	100	142	70	350	325	15	-	180	141	160	334	378	908	952	314	254	-	-	323	254	155	21	20	226	270	100
65-40-200/ 02202	180M	X	X	65	40	100	142	80	350	370	15	-	180	141	180	347	391	943	987	343	241	-	-	368	279	155	23		226	270	100
65-40-250/ 01102	160M	X	-	65	40	100	169	70	350	325	15	-	225	166	160	334	378	872	916	310	210	-	-	323	254	179	21	20	226	270	100
65-40-250/ 01502	160M	X	X	65	40	100	169	70	350	325	15	-	225	166	160	334	378	872	916	310	210	-	-	323	254	179	21	20	226	270	100
65-40-250/ 01852	160L	X	X	65	40	100	169	70	350	325	15	-	225	166	160	334	378	908	952	314	254	-	-	323	254	179	21	20	226	270	100
65-40-250/ 02202	180M	X	X	65	40	100	169	80	350	370	15	-	225	166	180	347	391	943	987	343	241	-	-	368	279	179	23	-	226	270	100
65-40-315/ 01852	160L	X	-	65	40	125	207	70	350	325	15	-	250	204	160	354	408	953	1007	314	254	-	-	323	254	207	21	20	246	300	100
65-40-315/ 02202	180M	X	-	65	40	125	207	80	350	370	15	-	250	204	180	367	421	988	1042	343	241	-	-	368	279	207	23	-	246	300	100
65-50-125/ 00302	100L	X	-	65	50	100	117	-	250	213	-	160	160	112	-	118	118	660	704	-	-	225	130	-	-	130	-	-	170	214	100
65-50-125/ 00402	112M	X	-	65	50	100	117	-	250	235	-	160	160	112	-	118	118	642	686	-	-	225	130	-	-	130	-	-	170	214	100
65-50-125/ 00552	132S	X	X	65	50	100	117	55	300	274	12	-	160	112	132	282	326	706	750	220	140	-	-	270	216	130	15	20	193	237	100
65-50-125/ 00752	132S	X	X	65	50	100	117	55	300	274	12	-	160	112	132	282	326	750	794	220	140	-	-	270	216	130	15	20	193	237	100
65-50-125/ 01102	160M	-	X	65	50	100	117	70	350	325	15	-	160	112	160	334	378	872	916	310	210	-	-	323	254	130	21	20	226	270	100
65-50-125/ 01502	160M	-	X	65	50	100	117	70	350	325	15	-	160	112	160	334	378	872	916	310	210	-	-	323	254	130	21	20	226	270	100
65-50-160/ 00552	132S	X	-	65	50	100	128	55	300	274	12	-	180	133	132	282	326	706	750	220	140	-	-	270	216	149	15	20	193	237	100
65-50-160/ 00752	132S	X	-	65	50	100	128	55	300	274	12	-	180	133	132	282	326	750	794	220	140	-	-	270	216	149	15	20	193	237	100
65-50-160/ 01102	160M	X	X	65	50	100	128	70	350	325	15	-	180	133	160	334	378	872	916	310	210	-	-	323	254	149	21	20	226	270	100
65-50-160/ 01502	160M	-	X	65	50	100	128	70	350	325	15	-	180	133	160	334	378	872	916	310	210	-	-	323	254	149	21	20	226	270	100
65-50-160/ 01852	160L	-	X	65	50	100	128	70	350	325	15	-	180	133	160	334	378	908	952	314	254	-	-	323	254	149	21	20	226	270	100
65-50-160/ 02202	180M	-	X	65	50	100	128	80	350	370	15	-	180	133	180	347	391	943	987	343	241	-	-	368	279	149	23	-	226	270	100
65-50-200/ 01102	160M	X	-	65	50	100	144	70	350	325	15	-	200	150	160	334	378	872	916	310	210	-	-	323	254	163	21	20	226	270	100
65-50-200/ 01502	160M	X	-	65	50	100	144	70	350	325	15	-	200	150	160	334	378	872	916	310	210	-	-	323	254	163	21	20	226	270	100
65-50-200/ 01852	160L	X	-	65	50	100	144	70	350	325	15	-	200	150	160	334	378	908	952	314	254	-	-	323	254	163	21	20	226	270	100
65-50-200/ 02202	180M	X	X	65	50	100	144	80	350	370	15	-	200	150	180	347	391	943	987	343	241	-	-	368	279	163	23	-	226	270	100
65-50-250/ 01502	160M	X	-	65	50	100	170	70	350	325	15	-	225	172	160	334	378	872	916	310	210	-	-	323	254	186	21	20	226	270	100
65-50-250/ 01852	160L	X	-	65	50	100	170	70	350	325	15	-	225	172	160	334	378	908	952	314	254	-	-	323	254	186	21	20	226	270	100
65-50-250/ 02202	180M	X	X	65	50	100	170	80	350	370	15	-	225	172	180	347	391	943	987	343	241	-	-	368	279	186	23	-	226	270	100
80-65-125/ 00402	112M	X	-	80	65	100	117	-	250	235	-	160	180	127	-	118	118	642	686	-	-	225	130	-	-	150	-	-	170	214	100
80-65-125/ 00552	132S	X	-	80	65	100	117	55	300	274	12	-	180	127	132	282	326	706	750	220	140	-	-	270	216	150	15	20	193	237	100
80-65-125/ 00752	132S	X	X	80	65	100	117	55	300	274	12	-	180	127	132	282	326	750	794	220	140	-	-	270	216	150	15	20	193	237	100
80-65-125/ 01102	160M	X	X	80	65	100	117	70	350	325	15	-	180	127	160	334	378	872	916	310	210	-	-	323	254	150	21	20	226	270	100
80-65-125/ 01502	160M	-	X	80	65	100	117	70	350	325	15	-	180	127	160	334	378	872	916	310	210	-	-	323	254	150	21	20	226	270	100
80-65-125/ 01852	160L	-	X	80	65	100	117	70	350	325	15	-	180	127	160	334	378	908	952	314	254	-	-	323	254	150	21	20	226	270	100
80-65-160/ 00752	132S	X	-	80	65	100	132	55	300	274	12	-	200	140	132	282	326	750	794	220	140	-	-	270	216	160	15	20	193	237	100
80-65-160/ 01102	160M	X	-	80	65	100	132	70	350	325	15	-	200	140	160	334	378	872	916	310	210	-	-	323	254	160	21	20	226	270	100
80-65-160/ 01502	160M	X	X	80	65	100	132	70	350	325	15	-	200	140	160	334	378	872	916	310	210	-	-	323	254	160	21	20	226	270	100
80-65-160/ 01852	160L	-	X	80	65	100	132	70	350	325	15	-	200	140	160	334	378	908	952	314	254	-	-	323	254	160	21	20	226	270	100

Size	Motor (IEC)	n		DN <sub>1</sub> <small>48)</small>	DN <sub>2</sub> <small>48)</small>	a <small>48)</small>	a <sub>1</sub>	b <sub>4</sub>	d <sub>2</sub>	d <sub>3</sub>	d <sub>4</sub>	h <sub>1</sub>	h <sub>2</sub> <small>48)</small>	h <sub>3</sub>	h <sub>4</sub>	i <small>49)</small>	i <small>50)</small>	l <sub>1</sub> <small>49)</small>	l <sub>1</sub> <small>50)</small>	m <sub>3</sub>	m <sub>4</sub>	n <sub>1</sub>	n <sub>2</sub>	n <sub>3</sub>	n <sub>4</sub>	p	s <sub>2</sub>	u <small>51)</small>	w <small>49)</small>	w <small>50)</small>	x <small>48)</small>
		2900	3500																												
		[rpm]																													
80-65-160/ 02202	180M	-	✗	80	65	100	132	80	350	370	15	-	200	140	180	347	391	943	987	343	241	-	-	368	279	160	23	-	226	270	100
80-65-200/ 01502	160M	✗	-	80	65	100	155	70	350	325	15	-	225	161	160	334	378	872	916	310	210	-	-	323	254	178	21	20	226	270	140
80-65-200/ 01852	160L	✗	-	80	65	100	155	70	350	325	15	-	225	161	160	334	378	908	952	314	254	-	-	323	254	178	21	20	226	270	140
80-65-200/ 02202	180M	✗	✗	80	65	100	155	80	350	370	15	-	225	161	180	347	391	943	987	343	241	-	-	368	279	178	23	-	226	270	140
80-65-250/ 02202	180M	✗	-	80	65	100	179	80	350	370	15	-	250	185	180	367	421	963	1017	343	241	-	-	368	279	199	23	-	246	300	140
100-80-160/ 01502	160M	✗	-	100	80	125	138	70	350	325	15	-	225	153	160	334	378	897	941	310	210	-	-	323	254	174	21	20	226	270	140
100-80-160/ 01852	160L	✗	-	100	80	125	138	70	350	325	15	-	225	153	160	334	378	933	977	314	254	-	-	323	254	174	21	20	226	270	140
100-80-160/ 02202	180M	✗	✗	100	80	125	138	80	350	370	15	-	225	153	180	347	391	968	1012	343	241	-	-	368	279	174	23	-	226	270	140
100-80-200/ 01852	160L	✗	-	100	80	125	159	70	350	325	15	-	250	170	160	354	408	953	1007	314	254	-	-	323	254	188	21	20	246	300	140
100-80-200/ 02202	180M	✗	-	100	80	125	159	80	350	370	15	-	250	170	180	367	421	988	1042	343	241	-	-	368	279	188	23	-	246	300	140
125-100-160/ 02202	180M	✗	-	125	100	125	178	80	350	370	15	-	280	199	180	367	421	988	1042	343	241	-	-	368	279	225	23	-	246	300	140

**Pump set with volute casing foot and motor foot (fixed speed version),  $\leq 22$  kW,  $n = 2900$  rpm /  $3500$  rpm**



Pump set with volute casing foot (up to motor size 112)



Pump set with volute casing foot and motor foot (motor sizes 132 to 180)

n = 2900 rpm / n = 3500 rpm, material variants BB / CC / SG / SB / SC

Dimensions of Etabloc ≤ 22 kW<sup>52)</sup>

Values a<sub>1</sub>, b<sub>1</sub>, b<sub>4</sub>, d<sub>3</sub>, l<sub>1</sub>, m<sub>1</sub>, m<sub>3</sub>, n<sub>3</sub> and p may vary slightly for production-related reasons.

Size	Motor (IEC)	n		DN <sub>53</sub> <sub>1</sub>	DN <sub>53</sub> <sub>2</sub>	a <sub>53</sub>	a <sub>1</sub>	b <sub>53</sub> <sub>1</sub>	b <sub>4</sub>	d <sub>53</sub> <sub>1</sub>	d <sub>2</sub>	d <sub>3</sub>	d <sub>4</sub>	h <sub>53</sub> <sub>1</sub>	h <sub>2</sub> <sub>53</sub>	h <sub>4</sub>	i <sub>54</sub>	i <sub>55</sub>	l <sub>54</sub> <sub>1</sub>	l <sub>55</sub> <sub>1</sub>	m <sub>53</sub> <sub>1</sub>	m <sub>53</sub> <sub>2</sub>	m <sub>3</sub>	m <sub>4</sub>	n <sub>53</sub> <sub>1</sub>	n <sub>53</sub> <sub>2</sub>	n <sub>3</sub>	n <sub>4</sub>	p	s <sub>53</sub> <sub>1</sub>	s <sub>2</sub>	u <sub>56</sub>	w <sub>54</sub>	w <sub>55</sub>	x <sub>53</sub>	
		2900	3500																																	
		[rpm]		[mm]																																
40-25-160/ 00072	80M	X	-	40	25	80	118	50	-	14	200	162	-	132	160	-	-	-	501	-	100	70	-	-	240	190	-	-	118	15	-	-	156	-	100	
40-25-160/ 00112	80M	X	X	40	25	80	118	50	-	14	200	162	-	132	160	-	-	-	537	-	100	70	-	-	240	190	-	-	118	15	-	-	156	-	100	
40-25-160/ 00152	90S	X	X	40	25	80	118	50	-	14	200	190	-	132	160	-	-	-	590	634	100	70	-	-	240	190	-	-	118	15	-	-	156	200	100	
40-25-160/ 00222	90L	X	X	40	25	80	118	50	-	14	200	190	-	132	160	-	-	-	590	634	100	70	-	-	240	190	-	-	118	15	-	-	156	200	100	
40-25-160/ 00302	100L	-	X	40	25	80	118	50	-	14	250	213	-	132	160	-	-	-	640	684	100	70	-	-	240	190	-	-	118	15	-	-	170	214	100	
40-25-160/ 00402	112M	-	X	40	25	80	118	50	-	14	250	235	-	132	160	-	-	-	622	666	100	70	-	-	240	190	-	-	118	15	-	-	170	214	100	
40-25-200/ 00152	90S	X	-	40	25	80	142	50	-	14	200	190	-	160	180	-	-	-	590	634	100	70	-	-	240	190	-	-	142	15	-	-	156	200	100	
40-25-200/ 00222	90L	X	-	40	25	80	142	50	-	14	200	190	-	160	180	-	-	-	590	634	100	70	-	-	240	190	-	-	142	15	-	-	156	200	100	
40-25-200/ 00302	100L	X	X	40	25	80	142	50	-	14	250	213	-	160	180	-	-	-	640	684	100	70	-	-	240	190	-	-	142	15	-	-	170	214	100	
40-25-200/ 00402	112M	X	X	40	25	80	142	50	-	14	250	235	-	160	180	-	-	-	622	666	100	70	-	-	240	190	-	-	142	15	-	-	170	214	100	
40-25-200/ 00552	132S	X	X	40	25	80	142	50	55	14	300	274	12	160	180	132	282	326	686	730	100	70	220	140	240	190	270	216	142	15	15	20	193	237	100	
40-25-200/ 00752	132S	-	X	40	25	80	142	50	55	14	300	274	12	160	180	132	282	326	730	774	100	70	220	140	240	190	270	216	142	15	15	20	193	237	100	
50-32-125/ 00112	80M	X	-	50	32	80	115	50	-	14	200	162	-	112	140	-	-	-	537	-	100	70	-	-	190	140	-	-	115	15	-	-	156	-	100	
50-32-125/ 00152	90S	X	X	50	32	80	115	50	-	14	200	190	-	112	140	-	-	-	590	634	100	70	-	-	190	140	-	-	115	15	-	-	156	200	100	
50-32-125/ 00222	90L	X	X	50	32	80	115	50	-	14	200	190	-	112	140	-	-	-	590	634	100	70	-	-	190	140	-	-	115	15	-	-	156	200	100	
50-32-125/ 00302	100L	X	X	50	32	80	115	50	-	14	250	213	-	112	140	-	-	-	640	684	100	70	-	-	190	140	-	-	115	15	-	-	170	214	100	
50-32-125/ 00402	112M	-	X	50	32	80	115	50	-	14	250	235	-	112	140	-	-	-	622	666	100	70	-	-	190	140	-	-	115	15	-	-	170	214	100	
50-32-125/ 00552	132S	-	X	50	32	80	115	50	55	14	300	274	12	112	140	132	282	326	686	730	100	70	220	140	190	140	270	216	115	15	15	20	193	237	100	
50-32-125.1/ 00052	71M	X	-	50	32	80	116	50	-	14	160	145	-	112	140	-	-	-	453	-	100	70	-	-	190	140	-	-	116	15	-	-	136	-	100	
50-32-125.1/ 00072	80M	X	-	50	32	80	116	50	-	14	200	162	-	112	140	-	-	-	501	-	100	70	-	-	190	140	-	-	116	15	-	-	156	-	100	
50-32-125.1/ 00112	80M	X	-	50	32	80	116	50	-	14	200	162	-	112	140	-	-	-	537	-	100	70	-	-	190	140	-	-	116	15	-	-	156	-	100	
50-32-125.1/ 00152	90S	X	-	50	32	80	116	50	-	14	200	190	-	112	140	-	-	-	590	634	100	70	-	-	190	140	-	-	116	15	-	-	156	200	100	
50-32-125.1/ 00222	90L	X	-	50	32	80	116	50	-	14	200	190	-	112	140	-	-	-	590	634	100	70	-	-	190	140	-	-	116	15	-	-	156	200	100	
50-32-125.1/ 00302	100L	-	X	50	32	80	116	50	-	14	250	213	-	112	140	-	-	-	640	684	100	70	-	-	190	140	-	-	116	15	-	-	170	214	100	
50-32-125.1/ 00402	112M	-	X	50	32	80	116	50	-	14	250	235	-	112	140	-	-	-	622	666	100	70	-	-	190	140	-	-	116	15	-	-	170	214	100	
50-32-125.1/ 00552	132S	-	X	50	32	80	116	50	55	14	300	274	12	112	140	132	282	326	686	730	100	70	220	140	190	140	270	216	116	15	15	20	193	237	100	
50-32-160/ 00222	90L	X	-	50	32	80	118	50	-	14	200	190	-	132	160	-	-	-	590	634	100	70	-	-	240	190	-	-	128	15	-	-	156	200	100	
50-32-160/ 00302	100L	X	X	50	32	80	118	50	-	14	250	213	-	132	160	-	-	-	640	684	100	70	-	-	240	190	-	-	128	15	-	-	170	214	100	
50-32-160/ 00402	112M	X	X	50	32	80	118	50	-	14	250	235	-	132	160	-	-	-	622	666	100	70	-	-	240	190	-	-	128	15	-	-	170	214	100	
50-32-160/ 00552	132S	-	X	50	32	80	118	50	55	14	300	274	12	132	160	132	282	326	686	730	100	70	220	140	240	190	270	216	128	15	15	20	193	237	100	
50-32-160/ 00752	132S	-	X	50	32	80	118	50	55	14	300	274	12	132	160	132	282	326	730	774	100	70	220	140	240	190	270	216	128	15	15	20	193	237	100	

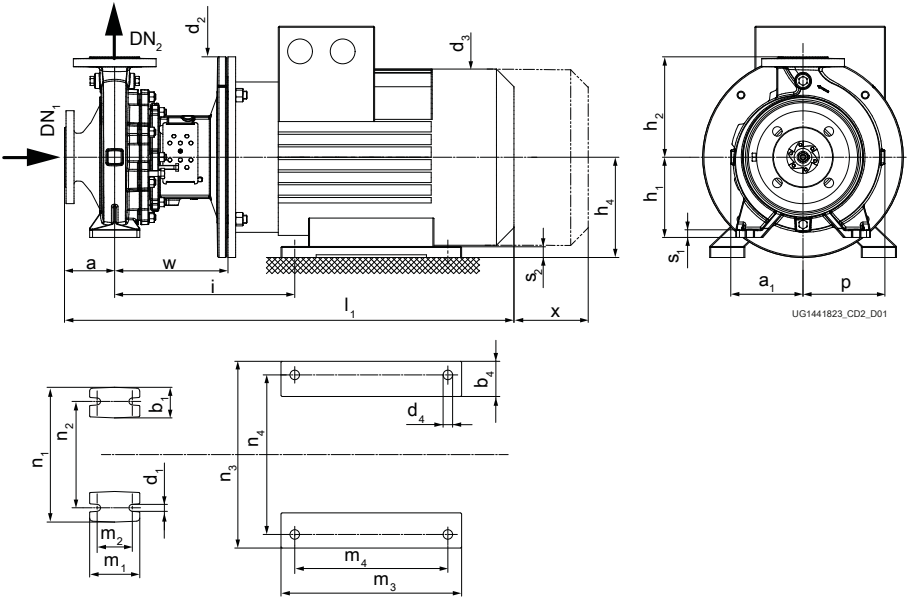
52) Tolerances of mating dimensions to EN 735  
 53) Dimensions to EN 733  
 54) Dimension with single mechanical seal (A, IA, EA, FA)  
 55) Dimension with double mechanical seal (DB, TI)  
 56) Motor feet must be shimmed.





Size	Motor (IEC)	n		DN <sub>1</sub> <small>(53)</small>	DN <sub>2</sub> <small>(53)</small>	a <small>(53)</small>	a <sub>1</sub>	b <sub>1</sub> <small>(53)</small>	b <sub>4</sub>	d <sub>1</sub> <small>(53)</small>	d <sub>2</sub>	d <sub>3</sub>	d <sub>4</sub>	h <sub>1</sub> <small>(53)</small>	h <sub>2</sub> <small>(53)</small>	h <sub>4</sub>	i <small>(54)</small>	i <small>(55)</small>	l <sub>1</sub> <small>(54)</small>	l <sub>1</sub> <small>(55)</small>	m <sub>1</sub> <small>(53)</small>	m <sub>2</sub> <small>(53)</small>	m <sub>3</sub>	m <sub>4</sub>	n <sub>1</sub> <small>(53)</small>	n <sub>2</sub> <small>(53)</small>	n <sub>3</sub>	n <sub>4</sub>	p	s <sub>1</sub> <small>(53)</small>	s <sub>2</sub>	u <small>(56)</small>	w <small>(54)</small>	w <small>(55)</small>	x <small>(53)</small>
		2900	3500																																
		[rpm]																																	
80-65-160/ 02202	180M	-	✗	80	65	100	132	65	80	14	350	370	15	160	200	180	347	391	943	987	125	95	343	241	280	212	368	279	160	18	23	-	226	270	100
80-65-200/ 01502	160M	✗	-	80	65	100	155	65	70	14	350	325	15	180	225	160	334	378	872	916	125	95	310	210	320	250	323	254	178	18	21	20	226	270	140
80-65-200/ 01852	160L	✗	-	80	65	100	155	65	70	14	350	325	15	180	225	160	334	378	908	952	125	95	314	254	320	250	323	254	178	18	21	20	226	270	140
80-65-200/ 02202	180M	✗	✗	80	65	100	155	65	80	14	350	370	15	180	225	180	347	391	943	987	125	95	343	241	320	250	368	279	178	18	23	-	226	270	140
80-65-250/ 02202	180M	✗	-	80	65	100	179	80	80	19	350	370	15	200	250	180	367	421	963	1017	160	120	343	241	360	280	368	279	199	20	23	-	246	300	140
100-80-160/ 01502	160M	✗	-	100	80	125	138	65	70	14	350	325	15	180	225	160	334	378	897	941	125	95	310	210	320	250	323	254	174	18	21	20	226	270	140
100-80-160/ 01852	160L	✗	-	100	80	125	138	65	70	14	350	325	15	180	225	160	334	378	933	977	125	95	314	254	320	250	323	254	174	18	21	20	226	270	140
100-80-160/ 02202	180M	✗	✗	100	80	125	138	65	80	14	350	370	15	180	225	180	347	391	968	1012	125	95	343	241	320	250	368	279	174	18	23	-	226	270	140
100-80-200/ 01852	160L	✗	-	100	80	125	159	65	70	14	350	325	15	180	250	160	354	408	953	1007	125	95	314	254	345	280	323	254	188	18	21	20	246	300	140
100-80-200/ 02202	180M	✗	-	100	80	125	159	65	80	14	350	370	15	180	250	180	367	421	988	1042	125	95	343	241	345	280	368	279	188	18	23	-	246	300	140
125-100-160/ 02202	180M	✗	-	125	100	125	178	80	80	19	350	370	15	200	280	180	367	421	988	1042	160	120	343	241	360	280	368	279	225	18	23	-	246	300	140

Pump set with volute casing foot and motor foot (fixed speed version), 30 kW to 110 kW,  $n = 2900 \text{ rpm} / 3500 \text{ rpm}$



Pump set with volute casing foot and motor foot (motor sizes 200 to 315, 2-pole)

n = 2900 rpm / n = 3500 rpm, material variants GG / GB / GC / BB / CC / SG / SB / SC

Dimensions of Etabloc from 30 kW to 110 kW<sup>57)</sup>

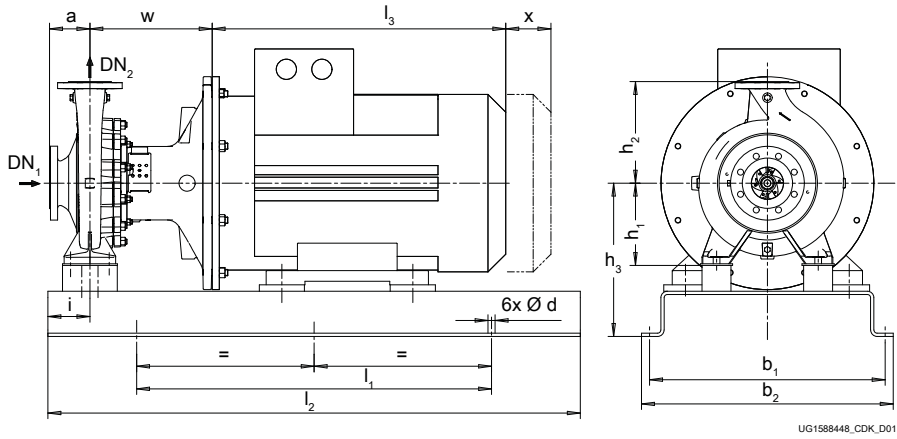
Values a<sub>1</sub>, b<sub>1</sub>, b<sub>4</sub>, d<sub>3</sub>, l<sub>1</sub>, m<sub>1</sub>, m<sub>3</sub>, n<sub>3</sub> and p may vary slightly for production-related reasons.

Size	Motor (IEC)	n		DN <sub>1</sub> <small>(58)</small>	DN <sub>2</sub> <small>(58)</small>	a <small>(58)</small>	a <sub>1</sub>	b <sub>1</sub> <small>(58)</small>	b <sub>4</sub>	d <sub>1</sub> <small>(58)</small>	d <sub>2</sub>	d <sub>3</sub>	d <sub>4</sub>	h <sub>1</sub> <small>(58)</small>	h <sub>2</sub> <small>(58)</small>	h <sub>4</sub>	i <small>(59)</small>	i <small>(60)</small>	l <sub>1</sub> <small>(59)</small>	l <sub>1</sub> <small>(60)</small>	m <sub>1</sub> <small>(58)</small>	m <sub>2</sub> <small>(58)</small>	m <sub>3</sub>	m <sub>4</sub>	n <sub>1</sub> <small>(58)</small>	n <sub>2</sub> <small>(58)</small>	n <sub>3</sub>	n <sub>4</sub>	p	s <sub>1</sub> <small>(58)</small>	s <sub>2</sub>	w <small>(59)</small>	w <small>(60)</small>	x <small>(58)</small>
		2900	3500																															
		[rpm]																																
50-32-250/ 03002	200L	-	X	50	32	100	169	65	85	14	400	422	19	180	225	200	359	397	995	1033	125	95	388	305	320	250	404	318	178	18	30	226	264	100
65-40-250/ 03002	200L	X	X	65	40	100	169	65	85	14	400	422	19	180	225	200	359	397	995	1033	125	95	388	305	320	250	404	318	179	18	30	226	264	100
65-40-250/ 03702	200L	-	X	65	40	100	169	65	85	14	400	422	19	180	225	200	359	397	995	1033	125	95	388	305	320	250	404	318	179	18	30	226	264	100
65-40-315/ 03002	200L	X	-	65	40	125	207	65	85	14	400	422	19	225	250	200	379	437	1040	1098	125	95	388	305	345	280	404	318	207	18	30	246	304	100
65-40-315/ 03702	200L	X	-	65	40	125	207	65	85	14	400	422	19	225	250	200	379	437	1040	1098	125	95	388	305	345	280	404	318	207	18	30	246	304	100
65-40-315/ 04502	225M	X	-	65	40	125	207	65	100	14	450	468	19	225	250	225	426	483	1157	1214	125	95	412	311	345	280	458	356	207	18	35	277	334	100
65-50-200/ 03002	200L	X	X	65	50	100	144	50	85	14	400	422	19	160	200	200	359	397	995	1033	100	70	388	305	265	212	404	318	163	18	30	226	264	100
65-50-200/ 03702	200L	-	X	65	50	100	144	50	85	14	400	422	19	160	200	200	359	397	995	1033	100	70	388	305	265	212	404	318	163	18	30	226	264	100
65-50-250/ 03002	200L	X	X	65	50	100	170	65	85	14	400	422	19	180	225	200	359	397	995	1033	125	95	388	305	320	250	404	318	186	18	30	226	264	100
65-50-250/ 03702	200L	X	X	65	50	100	170	65	85	14	400	422	19	180	225	200	359	397	995	1033	125	95	388	305	320	250	404	318	186	18	30	226	264	100
65-50-315/ 03702	200L	X	-	65	50	125	207	65	85	14	400	422	19	225	280	200	379	437	1040	1098	125	95	388	305	345	280	404	318	215	18	30	246	304	100
65-50-315/ 04502	225M	X	-	65	50	125	207	65	100	14	450	468	19	225	280	225	426	483	1157	1214	125	95	412	311	345	280	458	356	215	18	35	277	334	100
65-50-315/ 05502	250M	X	-	65	50	125	207	65	100	14	550	520	24	225	280	250	457	502	1231	1276	125	95	467	349	345	280	531	406	215	18	40	289	334	100
65-50-315/ 07502	280S	X	-	65	50	125	207	65	100	14	550	580	24	225	280	280	479	524	1339	1384	125	95	517	368	345	280	585	457	215	18	40	289	334	100
80-65-160/ 03002	200L	-	X	80	65	100	132	65	85	14	400	422	19	160	200	200	359	397	995	1033	125	95	388	305	280	212	404	318	160	18	30	226	264	100
80-65-200/ 03002	200L	X	X	80	65	100	155	65	85	14	400	422	19	180	225	200	359	397	995	1033	125	95	388	305	320	250	404	318	178	18	30	226	264	140
80-65-200/ 03702	200L	X	X	80	65	100	155	65	85	14	400	422	19	180	225	200	359	397	995	1033	125	95	388	305	320	250	404	318	178	18	30	226	264	140
80-65-250/ 03002	200L	X	-	80	65	100	179	80	85	19	400	422	19	200	250	200	379	437	1015	1073	160	120	388	305	360	280	404	318	199	20	30	246	304	140
80-65-250/ 03702	200L	X	X	80	65	100	179	80	85	19	400	422	19	200	250	200	379	437	1015	1073	160	120	388	305	360	280	404	318	199	20	30	246	304	140
80-65-250/ 04502	225M	X	X	80	65	100	179	80	100	19	450	468	19	200	250	225	426	483	1132	1189	160	120	412	311	360	280	458	356	199	20	35	277	334	140
80-65-250/ 05502	250M	-	X	80	65	100	179	80	100	19	550	520	24	200	250	250	457	502	1206	1251	160	120	467	349	360	280	531	406	199	20	40	289	334	140
80-65-250/ 07502	280S	-	X	80	65	100	179	80	100	19	550	580	24	200	250	280	479	524	1314	1359	160	120	517	368	360	280	585	457	199	20	40	289	334	140
80-65-315/ 04502	225M	X	-	80	65	100	179	80	100	19	450	468	19	200	250	225	426	483	1132	1189	160	120	412	311	360	280	458	356	199	20	35	277	334	140
80-65-315/ 05502	250M	X	-	80	65	100	179	80	100	19	550	520	24	200	250	250	457	502	1206	1251	160	120	467	349	360	280	531	406	199	20	40	289	334	140
80-65-315/ 07502	280S	X	-	80	65	100	179	80	100	19	550	580	24	200	250	280	479	524	1314	1359	160	120	517	368	360	280	585	457	199	20	40	289	334	140
80-65-315/ 09002	280M	X	-	80	65	100	179	80	100	19	550	580	24	200	250	280	479	524	1369	1414	160	120	530	419	360	280	585	457	199	20	40	289	334	140
100-80-160/ 03002	200L	X	X	100	80	125	138	65	85	14	400	422	19	180	225	200	359	397	1020	1058	125	95	388	305	320	250	404	318	174	18	30	226	264	140
100-80-160/ 03702	200L	-	X	100	80	125	138	65	85	14	400	422	19	180	225	200	359	397	1020	1058	125	95	388	305	320	250	404	318	174	18	30	226	264	140
100-80-200/ 03002	200L	X	-	100	80	125	159	65	85	14	400	422	19	180	250	200	379	437	1040	1098	125	95	388	305	345	280	404	318	188	18	30	246	304	140
100-80-200/ 03702	200L	X	-	100	80	125	159	65	85	14	400	422	19	180	250	200	379	437	1040	1098	125	95	388	305	345	280	404	318	188	18	30	246	304	140
100-80-200/ 04502	225M	X	-	100	80	125	159	65	100	14	450	468	19	180	250	225	426	483	1157	1214	125	95	412	311	345	280	458	356	188	18	35	277	334	140

57) Tolerances of mating dimensions to EN 735  
 58) Dimensions to EN 733  
 59) Dimension with single mechanical seal (A, IA, EA, FA)  
 60) Dimension with double mechanical seal (DB, TI)

Size	Motor (IEC)	n		DN <sub>1</sub> <small>(58)</small>	DN <sub>2</sub> <small>(58)</small>	a <small>(58)</small>	a <sub>1</sub>	b <sub>1</sub> <small>(58)</small>	b <sub>4</sub>	d <sub>1</sub> <small>(58)</small>	d <sub>2</sub>	d <sub>3</sub>	d <sub>4</sub>	h <sub>1</sub> <small>(58)</small>	h <sub>2</sub> <small>(58)</small>	h <sub>4</sub>	i <small>(59)</small>	i <small>(60)</small>	l <sub>1</sub> <small>(59)</small>	l <sub>1</sub> <small>(60)</small>	m <sub>1</sub> <small>(58)</small>	m <sub>2</sub> <small>(58)</small>	m <sub>3</sub>	m <sub>4</sub>	n <sub>1</sub> <small>(58)</small>	n <sub>2</sub> <small>(58)</small>	n <sub>3</sub>	n <sub>4</sub>	p	s <sub>1</sub> <small>(58)</small>	s <sub>2</sub>	w <small>(59)</small>	w <small>(60)</small>	x <small>(58)</small>																													
		2900	3500																																[mm]																												
		[rpm]																																																													
100-80-200/ 05502	250M	-	X	100	80	125	159	65	100	14	550	520	24	180	250	250	457	502	1231	1276	125	95	467	349	345	280	531	406	188	18	40	289	334	140																													
100-80-200/ 07502	280S	-	X	100	80	125	159	65	100	14	550	580	24	180	250	280	479	524	1339	1384	125	95	517	368	345	280	585	457	188	18	40	289	334	140																													
100-80-250/ 03002	200L	X	-	100	80	125	183	80	85	19	400	422	19	200	280	200	379	437	1040	1098	160	120	388	305	400	315	404	318	209	18	30	246	304	140																													
100-80-250/ 03702	200L	X	-	100	80	125	183	80	85	19	400	422	19	200	280	200	379	437	1040	1098	160	120	388	305	400	315	404	318	209	18	30	246	304	140																													
100-80-250/ 04502	225M	X	-	100	80	125	183	80	100	19	450	468	19	200	280	225	426	483	1157	1214	160	120	412	311	400	315	458	356	209	18	35	277	334	140																													
100-80-250/ 05502	250M	X	X	100	80	125	183	80	100	19	550	520	24	200	280	250	457	502	1231	1276	160	120	467	349	400	315	531	406	209	18	40	289	334	140																													
100-80-250/ 07502	280S	X	X	100	80	125	183	80	100	19	550	580	24	200	280	280	479	524	1339	1384	160	120	517	368	400	315	585	457	209	18	40	289	334	140																													
100-80-250/ 09002	280M	-	X	100	80	125	183	80	100	19	550	580	24	200	280	280	479	524	1394	1439	160	120	530	419	400	315	585	457	209	18	40	289	334	140																													
100-80-250/ 11002	315S	-	X	100	80	125	183	80	132	19	650	664	28	200	280	315	595	595	1584	1584	160	120	621	406	400	315	662	508	209	18	50	379	379	140																													
100-80-315/ 07502	280S	X	-	100	80	125	218	80	100	19	550	580	24	250	315	280	479	524	1339	1384	160	120	517	368	400	315	585	457	242	20	40	289	334	140																													
100-80-315/ 09002	280M	X	-	100	80	125	218	80	100	19	550	580	24	250	315	280	479	524	1394	1439	160	120	530	419	400	315	585	457	242	20	40	289	334	140																													
100-80-315/ 11002	315S	X	-	100	80	125	218	80	132	19	650	664	28	250	315	315	595	595	1584	1584	160	120	621	406	400	315	662	508	242	20	50	379	379	140																													
125-100-160/ 03002	200L	X	-	125	100	125	178	80	85	19	400	422	19	200	280	200	379	437	1040	1098	160	120	388	305	360	280	404	318	225	18	30	246	304	140																													
125-100-160/ 03702	200L	X	X	125	100	125	178	80	85	19	400	422	19	200	280	200	379	437	1040	1098	160	120	388	305	360	280	404	318	225	18	30	246	304	140																													
125-100-160/ 04502	225M	-	X	125	100	125	178	80	100	19	450	468	19	200	280	225	426	483	1157	1214	160	120	412	311	360	280	458	356	225	18	35	277	334	140																													
125-100-160/ 05502	250M	-	X	125	100	125	178	80	100	19	550	520	24	200	280	250	457	502	1231	1276	160	120	467	349	360	280	531	406	225	18	40	289	334	140																													
125-100-200/ 03002	200L	X	-	125	100	125	173	80	85	19	400	422	19	200	280	200	379	437	1040	1098	160	120	388	305	360	280	404	318	212	18	30	246	304	140																													
125-100-200/ 03702	200L	X	-	125	100	125	173	80	85	19	400	422	19	200	280	200	379	437	1040	1098	160	120	388	305	360	280	404	318	212	18	30	246	304	140																													
125-100-200/ 04502	225M	X	-	125	100	125	173	80	100	19	450	468	19	200	280	225	426	483	1157	1214	160	120	412	311	360	280	458	356	212	18	35	277	334	140																													
125-100-200/ 05502	250M	X	-	125	100	125	173	80	100	19	550	520	24	200	280	250	457	502	1231	1276	160	120	467	349	360	280	531	406	212	18	40	289	334	140																													
125-100-200/ 07502	280S	X	-	125	100	125	173	80	100	19	550	580	24	200	280	280	479	524	1339	1384	160	120	517	368	360	280	585	457	212	18	40	289	334	140																													
125-100-200/ 09002	280M	X	-	125	100	125	173	80	100	19	550	580	24	200	280	280	479	524	1394	1439	160	120	530	419	360	280	585	457	212	18	40	289	334	140																													
125-100-250/ 04502	225M	X	-	125	100	140	188	80	100	19	450	468	19	225	280	225	426	483	1172	1229	160	120	412	311	400	315	458	356	219	18	35	277	334	140																													
125-100-250/ 05502	250M	X	-	125	100	140	188	80	100	19	550	520	24	225	280	250	457	502	1246	1291	160	120	467	349	400	315	531	406	219	18	40	289	334	140																													
125-100-250/ 07502	280S	X	X	125	100	140	188	80	100	19	550	580	24	225	280	280	479	524	1354	1399	160	120	517	368	400	315	585	457	242	18	40	289	334	140																													
125-100-250/ 09002	280M	X	X	125	100	140	188	80	100	19	550	580	24	225	280	280	479	524	1409	1454	160	120	530	419	400	315	585	457	242	18	40	289	334	140																													
125-100-250/ 11002	315S	X	X	125	100	140	188	80	132	19	650	664	28	225	280	315	595	595	1599	1599	160	120	621	406	400	315	662	508	242	18	50	379	379	140																													
150-125-200/ 05502	250M	X	-	150	125	140	189	80	100	19	550	520	24	250	315	250	457	502	1246	1291	160	120	467	349	400	315	531	406	242	20	40	289	334	140																													
150-125-200/ 07502	280S	X	X	150	125	140	189	80	100	19	550	580	24	250	315	280	479	524	1354	1399	160	120	517	368	400	315	585	457	242	20	40	289	334	140																													
150-125-200/ 09002	280M	X	X	150	125	140	189	80	100	19	550	580	24	250	315	280	479	524	1409	1454	160	120	530	419	400	315	585	457	242	20	40	289	334	140																													
150-125-200/ 11002	315S	-	X	150	125	140	189	80	132	19	650	664	28	250	315	315	595	595	1599	1599	160	120	621	406	400	315	662	508	242	20	50	379	379	140																													

Pump set with baseplate (fixed speed version), 55 kW to 110 kW,  $n = 2900 \text{ rpm} / 3500 \text{ rpm}$



Pump set with baseplate (motor sizes 250 to 315)

n = 2900 rpm / n = 3500 rpm, material variants GG / GB / GC / BB / CC / SB / SC / SG

Dimensions of Etabloc from 55 kW to 110 kW<sup>61)</sup>

Size	Motor	n		Baseplate to ZN 1393	DN <sub>1</sub> <small>62)</small>	DN <sub>2</sub> <small>62)</small>	a <small>62)</small>	b <sub>1</sub>	b <sub>2</sub>	d	h <sub>1</sub> <small>62)</small>	h <sub>2</sub> <small>62)</small>	h <sub>3</sub>	i	l <sub>1</sub>	l <sub>2</sub>	l <sub>3</sub> ≈	w <small>63)</small>	w <small>64)</small>	x <small>62)</small>
		2900	3500																	
		[rpm]																		
[mm]																				
65-50-315/05502	250M	X	-	10B	65	50	125	600	650	22	225	280	420	112	1060	1600	817	289	334	100
65-50-315/07502	280S	X	-	11B	65	50	125	670	720	22	225	250	420	112	1060	1600	925	289	334	100
80-65-250/05502	250M	-	X	10B	80	65	100	600	650	22	200	250	420	130	1060	1600	817	289	334	140
80-65-250/07502	280S	-	X	11B	80	65	100	670	720	22	200	250	420	130	1060	1600	925	289	334	140
80-65-315/05502	250M	X	-	10B	80	65	100	600	650	22	225	250	420	130	1060	1600	817	289	334	140
80-65-315/07502	280S	X	-	11B	80	65	100	670	720	22	225	250	420	130	1060	1600	925	289	334	140
80-65-315/09002	280M	X	-	10B	80	65	100	670	720	22	225	250	420	130	1060	1600	980	289	334	140
100-80-200/05502	250M	-	X	10B	100	80	125	600	650	22	180	250	420	112	1060	1600	817	289	334	140
100-80-200/07502	280S	-	X	11B	100	80	125	670	720	22	180	250	420	112	1060	1600	925	289	334	140
100-80-250/05502	250M	X	X	10B	100	80	125	600	650	22	200	280	420	130	1060	1600	817	289	334	140
100-80-250/07502	280S	X	X	11B	100	80	125	670	720	22	200	280	420	130	1060	1600	925	289	334	140
100-80-250/09002	280M	-	X	11B	100	80	125	670	720	22	200	280	420	130	1060	1600	980	289	334	140
100-80-250/11002	315S	-	X	12B	100	80	125	730	780	22	200	280	475	130	1100	1650	1080	379	379	140
100-80-315/07502	280S	X	-	11B	100	80	125	670	720	22	250	315	420	130	1060	1600	925	289	334	140
100-80-315/09002	280M	X	-	11B	100	80	125	670	720	22	250	315	420	130	1060	1600	980	289	334	140
100-80-315/11002	315S	X	-	12B	100	80	125	730	780	22	250	315	475	130	1100	1650	1080	379	379	140
125-100-160/05502	250M	-	X	10B	125	100	125	600	650	22	200	280	420	130	1060	1600	817	289	334	140
125-100-200/05502	250M	X	-	10B	125	100	125	600	650	22	200	280	420	130	1060	1600	817	289	334	140
125-100-200/07502	280S	X	-	11B	125	100	125	670	720	22	200	280	420	130	1060	1600	925	289	334	140
125-100-200/09002	280M	X	-	11B	125	100	125	670	720	22	200	280	420	130	1060	1600	980	289	334	140
125-100-250/05502	250M	X	-	10B	125	100	140	600	650	22	225	280	420	130	1060	1600	817	289	334	140
125-100-250/07502	280S	X	X	11B	125	100	140	670	720	22	225	280	420	130	1060	1600	925	289	334	140
125-100-250/09002	280M	X	X	11B	125	100	140	670	720	22	225	280	420	130	1060	1600	980	289	334	140
125-100-250/11002	315S	X	X	12B	125	100	140	730	780	22	225	280	475	130	1100	1650	1080	379	379	140
150-125-200/05502	250M	X	-	10B	150	125	140	600	650	22	250	315	420	130	1060	1600	817	289	334	140
150-125-200/07502	280S	X	X	11B	150	125	140	670	720	22	250	315	420	130	1060	1600	925	289	334	140
150-125-200/09002	280M	X	X	11B	150	125	140	670	720	22	250	315	420	130	1060	1600	980	289	334	140
150-125-200/11002	315S	-	X	12B	150	125	140	730	780	22	250	315	475	130	1100	1650	1080	379	379	140

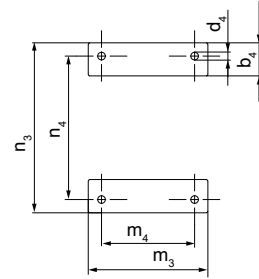
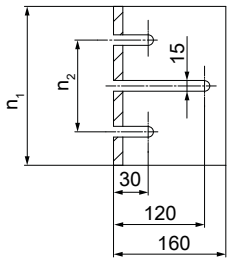
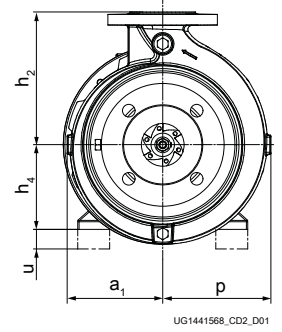
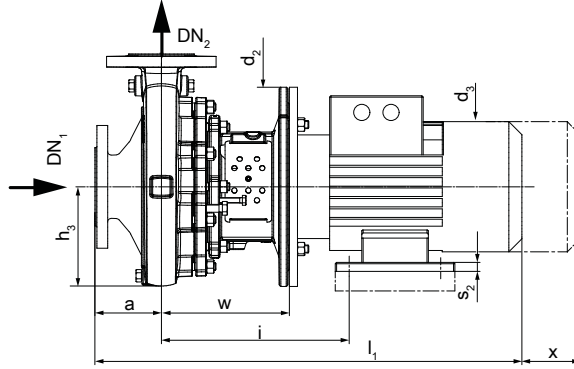
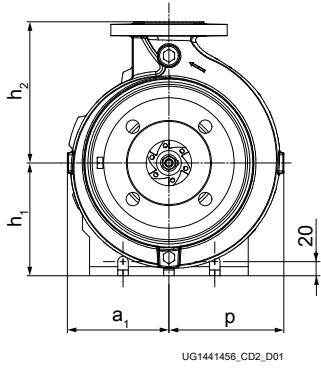
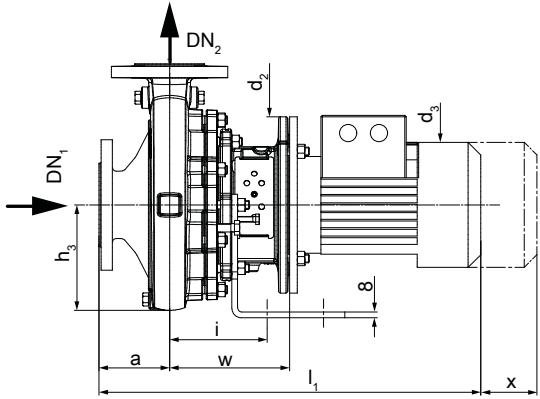
61) Tolerances of mating dimensions to EN 735

62) Dimensions to EN 733

63) Dimension of Etabloc with single mechanical seal (A, AV, IA, EA, FA)

64) Dimension of Etabloc with double mechanical seal (DB, TI)

Pump set with support foot and motor foot (fixed speed version),  $\leq 22$  kW,  $n = 1450$  rpm /  $1750$  rpm



Dimensions [mm]

Pump set with support foot (up to motor size 112)

Pump set with motor foot (motor sizes 132 to 180)

n = 1450 rpm / n = 1750 rpm, material variants GG / GB / GC

Dimensions of Etabloc ≤ 22 kW<sup>65)</sup>

Values a<sub>1</sub>, b<sub>4</sub>, d<sub>3</sub>, l<sub>1</sub>, m<sub>3</sub>, n<sub>3</sub> and p may vary slightly for production-related reasons.

Size	Motor (IEC)	n		DN <sub>1</sub> <small>(66)</small>	DN <sub>2</sub> <small>(66)</small>	a <small>(66)</small>	a <sub>1</sub>	b <sub>4</sub>	d <sub>2</sub>	d <sub>3</sub>	d <sub>4</sub>	h <sub>1</sub>	h <sub>2</sub> <small>(66)</small>	h <sub>3</sub>	h <sub>4</sub>	i <small>(67)</small>	i <small>(68)</small>	l <sub>1</sub> <small>(67)</small>	l <sub>1</sub> <small>(68)</small>	m <sub>3</sub>	m <sub>4</sub>	n <sub>1</sub>	n <sub>2</sub>	n <sub>3</sub>	n <sub>4</sub>	p	s <sub>2</sub>	u <small>(69)</small>	w <small>(67)</small>	w <small>(68)</small>	x <small>(66)</small>
		1450	1750																												
		[rpm]																													
40-25-160/ 00024	71M	✗	✗	40	25	80	118	-	160	145	-	160	160	107	-	118	-	453	-	-	-	225	130	-	-	118	-	-	136	-	100
40-25-160/ 00034	71M	✗	✗	40	25	80	118	-	160	145	-	160	160	107	-	118	-	453	-	-	-	225	130	-	-	118	-	-	136	-	100
40-25-160/ 00054	80M	-	✗	40	25	80	118	-	200	162	-	160	160	107	-	118	-	491	-	-	-	225	130	-	-	118	-	-	156	-	100
40-25-160/ 00114	90S	✗	✗	40	25	80	118	-	200	190	-	160	160	107	-	118	118	590	634	-	-	225	130	-	-	118	-	-	156	200	100
40-25-200/ 00034	71M	✗	-	40	25	80	142	-	160	145	-	160	180	137	-	118	-	453	-	-	-	225	130	-	-	142	-	-	136	-	100
40-25-200/ 00054	80M	✗	✗	40	25	80	142	-	200	162	-	160	180	137	-	118	-	491	-	-	-	225	130	-	-	142	-	-	156	-	100
40-25-200/ 00074	80M	-	✗	40	25	80	142	-	200	162	-	160	180	137	-	118	-	537	-	-	-	225	130	-	-	142	-	-	156	-	100
40-25-200/ 00114	90S	-	✗	40	25	80	142	-	200	190	-	160	180	137	-	118	118	590	634	-	-	225	130	-	-	142	-	-	156	200	100
50-32-125/ 00024	71M	✗	-	50	32	80	115	-	160	145	-	160	140	100	-	118	-	453	-	-	-	225	130	-	-	115	-	-	136	-	100
50-32-125/ 00034	71M	✗	✗	50	32	80	115	-	160	145	-	160	140	100	-	118	-	453	-	-	-	225	130	-	-	115	-	-	136	-	100
50-32-125/ 00054	80M	✗	✗	50	32	80	115	-	200	162	-	160	140	100	-	118	-	491	-	-	-	225	130	-	-	115	-	-	156	-	100
50-32-125/ 00074	80M	-	✗	50	32	80	115	-	200	162	-	160	140	100	-	118	-	537	-	-	-	225	130	-	-	115	-	-	156	-	100
50-32-125/ 00114	90S	✗	✗	50	32	80	115	-	200	190	-	160	140	100	-	118	118	590	634	-	-	225	130	-	-	115	-	-	156	200	100
50-32-125.1/00024	71M	✗	✗	50	32	80	116	-	160	145	-	160	140	100	-	118	-	453	-	-	-	225	130	-	-	116	-	-	136	-	100
50-32-125.1/ 00034	71M	✗	✗	50	32	80	116	-	160	145	-	160	140	100	-	118	-	453	-	-	-	225	130	-	-	116	-	-	136	-	100
50-32-125.1/ 00054	80M	✗	✗	50	32	80	116	-	200	162	-	160	140	100	-	118	-	491	-	-	-	225	130	-	-	116	-	-	156	-	100
50-32-125.1/ 00114	90S	✗	✗	50	32	80	116	-	200	190	-	160	140	100	-	118	118	590	634	-	-	225	130	-	-	116	-	-	156	200	100
50-32-160/ 00034	71M	✗	-	50	32	80	118	-	160	145	-	160	160	115	-	118	-	453	-	-	-	225	130	-	-	128	-	-	136	-	100
50-32-160/ 00054	80M	✗	✗	50	32	80	118	-	200	162	-	160	160	115	-	118	-	491	-	-	-	225	130	-	-	128	-	-	156	-	100
50-32-160/ 00074	80M	✗	✗	50	32	80	118	-	200	162	-	160	160	115	-	118	-	537	-	-	-	225	130	-	-	128	-	-	156	-	100
50-32-160/ 00114	90S	-	✗	50	32	80	118	-	200	190	-	160	160	115	-	118	118	590	634	-	-	225	130	-	-	128	-	-	156	200	100
50-32-160.1/ 00024	71M	✗	-	50	32	80	116	-	160	145	-	160	160	111	-	118	-	453	-	-	-	225	130	-	-	121	-	-	136	-	100
50-32-160.1/ 00034	71M	✗	✗	50	32	80	116	-	160	145	-	160	160	111	-	118	-	453	-	-	-	225	130	-	-	121	-	-	136	-	100
50-32-160.1/ 00054	80M	✗	✗	50	32	80	116	-	200	162	-	160	160	111	-	118	-	491	-	-	-	225	130	-	-	121	-	-	156	-	100
50-32-160.1/ 00074	80M	-	✗	50	32	80	116	-	200	162	-	160	160	111	-	118	-	537	-	-	-	225	130	-	-	121	-	-	156	-	100
50-32-200/ 00054	80M	✗	-	50	32	80	142	-	200	162	-	160	180	137	-	118	-	491	-	-	-	225	130	-	-	143	-	-	156	-	100
50-32-200/ 00074	80M	✗	-	50	32	80	142	-	200	162	-	160	180	137	-	118	-	537	-	-	-	225	130	-	-	143	-	-	156	-	100
50-32-200/ 00114	90S	✗	✗	50	32	80	142	-	200	190	-	160	180	137	-	118	118	590	634	-	-	225	130	-	-	143	-	-	156	200	100
50-32-200/ 00154	90L	-	✗	50	32	80	142	-	200	190	-	160	180	137	-	118	118	590	634	-	-	225	130	-	-	143	-	-	156	200	100
50-32-200/ 00224	100L	-	✗	50	32	80	142	-	250	213	-	160	180	137	-	118	118	640	684	-	-	225	130	-	-	143	-	-	170	214	100
50-32-200.1/ 00034	71M	✗	-	50	32	80	142	-	160	145	-	160	180	136	-	118	-	453	-	-	-	225	130	-	-	142	-	-	136	-	100

65) Tolerances of mating dimensions to EN 735

66) Dimensions to EN 733

67) Dimension with single mechanical seal (A, IA, EA, FA)

68) Dimension with double mechanical seal (DB, TI)

69) Motor feet must be shimmed.

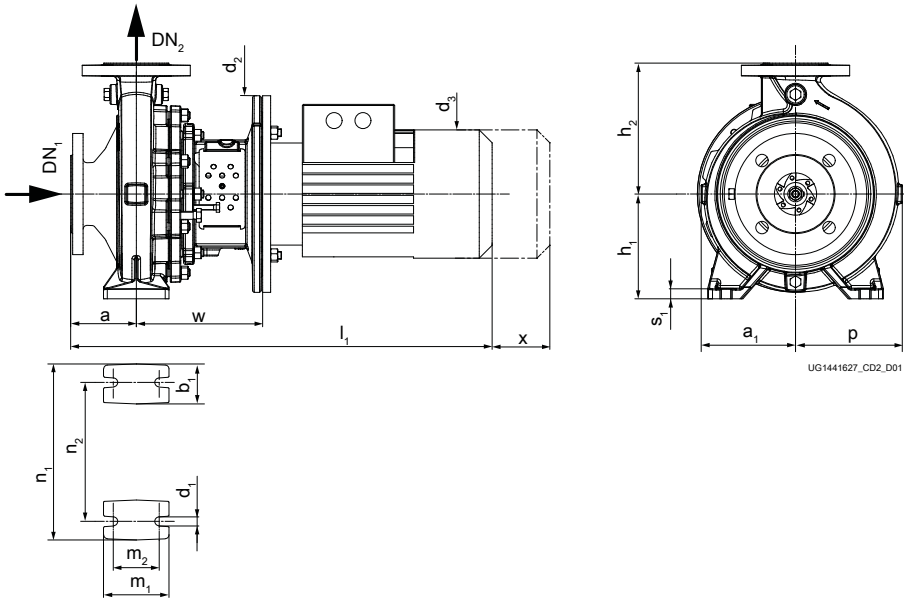
Size	Motor (IEC)	n		DN <sub>1</sub> (66)	DN <sub>2</sub> (66)	a (66)	a <sub>1</sub>	b <sub>4</sub>	d <sub>2</sub>	d <sub>3</sub>	d <sub>4</sub>	h <sub>1</sub>	h <sub>2</sub> (66)	h <sub>3</sub>	h <sub>4</sub>	i (67)	i (68)	l <sub>1</sub> (67)	l <sub>1</sub> (68)	m <sub>3</sub>	m <sub>4</sub>	n <sub>1</sub>	n <sub>2</sub>	n <sub>3</sub>	n <sub>4</sub>	p	s <sub>2</sub>	u (69)	w (67)	w (68)	x (66)
		1450	1750																												
		[rpm]																													
50-32-200.1/ 00054	80M	<b>X</b>	<b>X</b>	50	32	80	142	-	200	162	-	160	180	136	-	118	-	491	-	-	-	225	130	-	-	142	-	-	156	-	100
50-32-200.1/ 00074	80M	<b>X</b>	<b>X</b>	50	32	80	142	-	200	162	-	160	180	136	-	118	-	537	-	-	-	225	130	-	-	142	-	-	156	-	100
50-32-200.1/ 00114	90S	-	<b>X</b>	50	32	80	142	-	200	190	-	160	180	136	-	118	118	590	634	-	-	225	130	-	-	142	-	-	156	200	100
50-32-200.1/ 00154	90L	-	<b>X</b>	50	32	80	142	-	200	190	-	160	180	136	-	118	118	590	634	-	-	225	130	-	-	142	-	-	156	200	100
50-32-250/ 00114	90S	<b>X</b>	-	50	32	100	169	-	200	190	-	160	225	166	-	118	118	610	654	-	-	225	130	-	-	178	-	-	156	200	100
50-32-250/ 00154	90L	<b>X</b>	<b>X</b>	50	32	100	169	-	200	190	-	160	225	166	-	118	118	610	654	-	-	225	130	-	-	178	-	-	156	200	100
50-32-250/ 00224	100L	<b>X</b>	<b>X</b>	50	32	100	169	-	250	213	-	160	225	166	-	118	118	660	704	-	-	225	130	-	-	178	-	-	170	214	100
50-32-250/ 00304	100L	-	<b>X</b>	50	32	100	169	-	250	213	-	160	225	166	-	118	118	660	704	-	-	225	130	-	-	178	-	-	170	214	100
50-32-250/ 00404	112M	-	<b>X</b>	50	32	100	169	-	250	235	-	160	225	166	-	118	118	642	686	-	-	225	130	-	-	178	-	-	170	214	100
50-32-250.1/ 00074	80M	<b>X</b>	-	50	32	100	168	-	200	162	-	160	225	166	-	118	-	557	-	-	-	225	130	-	-	168	-	-	156	-	100
50-32-250.1/ 00114	90S	<b>X</b>	<b>X</b>	50	32	100	168	-	200	190	-	160	225	166	-	118	118	610	654	-	-	225	130	-	-	168	-	-	156	200	100
50-32-250.1/ 00154	90L	<b>X</b>	<b>X</b>	50	32	100	168	-	200	190	-	160	225	166	-	118	118	610	654	-	-	225	130	-	-	168	-	-	156	200	100
50-32-250.1/ 00224	100L	-	<b>X</b>	50	32	100	168	-	250	213	-	160	225	166	-	118	118	660	704	-	-	225	130	-	-	168	-	-	170	214	100
50-32-250.1/ 00304	100L	-	<b>X</b>	50	32	100	168	-	250	213	-	160	225	166	-	118	118	660	704	-	-	225	130	-	-	168	-	-	170	214	100
65-40-125/ 00024	71M	<b>X</b>	-	65	40	80	117	-	160	145	-	160	140	107	-	118	-	453	-	-	-	225	130	-	-	117	-	-	136	-	100
65-40-125/ 00034	71M	<b>X</b>	-	65	40	80	117	-	160	145	-	160	140	107	-	118	-	453	-	-	-	225	130	-	-	117	-	-	136	-	100
65-40-125/ 00054	80M	<b>X</b>	<b>X</b>	65	40	80	117	-	200	162	-	160	140	107	-	118	-	491	-	-	-	225	130	-	-	117	-	-	156	-	100
65-40-125/ 00074	80M	-	<b>X</b>	65	40	80	117	-	200	162	-	160	140	107	-	118	-	537	-	-	-	225	130	-	-	117	-	-	156	-	100
65-40-125/ 00114	90S	-	<b>X</b>	65	40	80	117	-	200	190	-	160	140	107	-	118	118	590	634	-	-	225	130	-	-	117	-	-	156	200	100
65-40-160/ 00054	80M	<b>X</b>	-	65	40	80	119	-	200	162	-	160	160	119	-	118	-	491	-	-	-	225	130	-	-	134	-	-	156	-	100
65-40-160/ 00074	80M	<b>X</b>	<b>X</b>	65	40	80	119	-	200	162	-	160	160	119	-	118	-	537	-	-	-	225	130	-	-	134	-	-	156	-	100
65-40-160/ 00114	90S	<b>X</b>	<b>X</b>	65	40	80	119	-	200	190	-	160	160	119	-	118	118	590	634	-	-	225	130	-	-	134	-	-	156	200	100
65-40-160/ 00154	90L	-	<b>X</b>	65	40	80	119	-	200	190	-	160	160	119	-	118	118	590	634	-	-	225	130	-	-	134	-	-	156	200	100
65-40-160/ 00224	100L	-	<b>X</b>	65	40	80	119	-	250	213	-	160	160	119	-	118	118	640	684	-	-	225	130	-	-	134	-	-	170	214	100
65-40-200/ 00074	80M	<b>X</b>	-	65	40	100	142	-	200	162	-	160	180	141	-	118	-	557	-	-	-	225	130	-	-	155	-	-	156	-	100
65-40-200/ 00114	90S	<b>X</b>	-	65	40	100	142	-	200	190	-	160	180	141	-	118	118	610	654	-	-	225	130	-	-	155	-	-	156	200	100
65-40-200/ 00154	90L	<b>X</b>	<b>X</b>	65	40	100	142	-	200	190	-	160	180	141	-	118	118	610	654	-	-	225	130	-	-	155	-	-	156	200	100
65-40-200/ 00224	100L	-	<b>X</b>	65	40	100	142	-	250	213	-	160	180	141	-	118	118	660	704	-	-	225	130	-	-	155	-	-	170	214	100
65-40-200/ 00304	100L	-	<b>X</b>	65	40	100	142	-	250	213	-	160	180	141	-	118	118	660	704	-	-	225	130	-	-	155	-	-	170	214	100
65-40-250/ 00114	90S	<b>X</b>	-	65	40	100	169	-	200	190	-	160	225	166	-	118	118	610	654	-	-	225	130	-	-	179	-	-	156	200	100
65-40-250/ 00154	90L	<b>X</b>	-	65	40	100	169	-	200	190	-	160	225	166	-	118	118	610	654	-	-	225	130	-	-	179	-	-	156	200	100
65-40-250/ 00224	100L	<b>X</b>	<b>X</b>	65	40	100	169	-	250	213	-	160	225	166	-	118	118	660	704	-	-	225	130	-	-	179	-	20	170	214	100
65-40-250/ 00304	100L	<b>X</b>	<b>X</b>	65	40	100	169	-	250	213	-	160	225	166	-	118	118	660	704	-	-	225	130	-	-	179	-	-	170	214	100
65-40-250/ 00404	112M	-	<b>X</b>	65	40	100	169	-	250	235	-	160	225	166	-	118	118	642	686	-	-	225	130	-	-	179	-	-	170	214	100
65-40-250/ 00554	132S	-	<b>X</b>	65	40	100	169	55	300	274	12	-	225	166	132	282	326	750	794	220	140	-	-	270	216	179	15	-	193	237	100
65-40-315/ 00224	100L	<b>X</b>	-	65	40	125	207	-	250	213	-	180	250	204	-	142	142	705	753	-	-	260	180	-	-	207	-	20	190	238	100
65-40-315/ 00304	100L	<b>X</b>	-	65	40	125	207	-	250	213	-	180	250	204	-	142	142	705	753	-	-	260	180	-	-	207	-	20	190	238	100
65-40-315/ 00404	112M	<b>X</b>	<b>X</b>	65	40	125	207	-	250	235	-	180	250	204	-	142	142	687	735	-	-	260	180	-	-	207	-	20	190	238	100
65-40-315/ 00554	132S	<b>X</b>	<b>X</b>	65	40	125	207	55	300	274	12	-	250	204	132	302	350	795	843	220	140	-	-	270	216	207	15	-	213	261	100
65-40-315/ 00754	132M	-	<b>X</b>	65	40	125	207	59	300	298	12	-	250	204	132	302	350	795	843	240	178	-	-	270	216	207	15	-	213	261	100
65-40-315/ 01104	160M	-	<b>X</b>	65	40	125	207	70	350	325	15	-	250	204	160	354	408	917	971	310	210	-	-	323	254	207	21	-	246	300	100

Size	Motor (IEC)	n		DN <sub>1</sub> (66)	DN <sub>2</sub> (66)	a (66)	a <sub>1</sub>	b <sub>4</sub>	d <sub>2</sub>	d <sub>3</sub>	d <sub>4</sub>	h <sub>1</sub>	h <sub>2</sub> (66)	h <sub>3</sub>	h <sub>4</sub>	i (67)	i (68)	l <sub>1</sub> (67)	l <sub>1</sub> (68)	m <sub>3</sub>	m <sub>4</sub>	n <sub>1</sub>	n <sub>2</sub>	n <sub>3</sub>	n <sub>4</sub>	p	s <sub>2</sub>	u (69)	w (67)	w (68)	x (66)
		1450	1750																												
		[rpm]																													
65-50-125/ 00054	80M	X	-	65	50	100	117	-	200	162	-	160	160	112	-	118	-	511	-	-	-	225	130	-	-	130	-	-	156	-	100
65-50-125/ 00074	80M	X	X	65	50	100	117	-	200	162	-	160	160	112	-	118	-	557	-	-	-	225	130	-	-	130	-	-	156	-	100
65-50-125/ 00114	90S	X	X	65	50	100	117	-	200	190	-	160	160	112	-	118	118	610	654	-	-	225	130	-	-	130	-	-	156	200	100
65-50-125/ 00154	90L	-	X	65	50	100	117	-	200	190	-	160	160	112	-	118	118	610	654	-	-	225	130	-	-	130	-	-	156	200	100
65-50-160/ 00074	80M	X	-	65	50	100	128	-	200	162	-	160	180	133	-	118	-	557	-	-	-	225	130	-	-	149	-	-	156	-	100
65-50-160/ 00114	90S	X	X	65	50	100	128	-	200	190	-	160	180	133	-	118	118	610	654	-	-	225	130	-	-	149	-	-	156	200	100
65-50-160/ 00154	90L	X	X	65	50	100	128	-	200	190	-	160	180	133	-	118	118	610	654	-	-	225	130	-	-	149	-	-	156	200	100
65-50-160/ 00224	100L	-	X	65	50	100	128	-	250	213	-	160	180	133	-	118	118	660	704	-	-	225	130	-	-	149	-	-	170	214	100
65-50-160/ 00304	100L	-	X	65	50	100	128	-	250	213	-	160	180	133	-	118	118	660	704	-	-	225	130	-	-	149	-	-	170	214	100
65-50-200/ 00154	90L	X	-	65	50	100	144	-	200	190	-	160	200	150	-	118	118	610	654	-	-	225	130	-	-	163	-	-	156	200	100
65-50-200/ 00224	100L	X	X	65	50	100	144	-	250	213	-	160	200	150	-	118	118	660	704	-	-	225	130	-	-	163	-	20	170	214	100
65-50-200/ 00304	100L	X	X	65	50	100	144	-	250	213	-	160	200	150	-	118	118	660	704	-	-	225	130	-	-	163	-	-	170	214	100
65-50-200/ 00404	112M	-	X	65	50	100	144	-	250	235	-	160	200	150	-	118	118	642	686	-	-	225	130	-	-	163	-	-	170	214	100
65-50-200/ 00554	132S	-	X	65	50	100	144	55	300	274	12	-	200	150	132	282	326	750	794	220	140	-	-	270	216	163	15	-	193	237	100
65-50-250/ 00224	100L	X	-	65	50	100	170	-	250	213	-	160	225	172	-	118	118	660	704	-	-	225	130	-	-	186	-	20	170	214	100
65-50-250/ 00304	100L	X	-	65	50	100	170	-	250	213	-	160	225	172	-	118	118	660	704	-	-	225	130	-	-	186	-	20	170	214	100
65-50-250/ 00404	112M	X	X	65	50	100	170	-	250	235	-	160	225	172	-	118	118	642	686	-	-	225	130	-	-	186	-	-	170	214	100
65-50-250/ 00554	132S	-	X	65	50	100	170	55	300	274	12	-	225	172	132	282	326	750	794	220	140	-	-	270	216	186	15	-	193	237	100
65-50-250/ 00754	132M	-	X	65	50	100	170	59	300	298	12	-	225	172	132	282	326	750	794	240	178	-	-	270	216	186	15	20	193	237	100
65-50-315/ 00304	100L	X	-	65	50	125	207	-	250	213	-	180	280	203	-	142	142	705	753	-	-	260	180	-	-	215	-	20	190	238	100
65-50-315/ 00404	112M	X	-	65	50	125	207	-	250	235	-	180	280	203	-	142	142	687	735	-	-	260	180	-	-	215	-	20	190	238	100
65-50-315/ 00554	132S	X	-	65	50	125	207	55	300	274	12	-	280	203	132	302	350	795	843	220	140	-	-	270	216	215	15	20	213	261	100
65-50-315/ 00754	132M	X	X	65	50	125	207	59	300	298	12	-	280	203	132	302	350	795	843	240	178	-	-	270	216	215	15	-	213	261	100
65-50-315/ 01104	160M	-	X	65	50	125	207	70	350	325	15	-	280	203	160	354	408	917	971	310	210	-	-	323	254	215	21	-	246	300	100
65-50-315/ 01504	160L	-	X	65	50	125	207	70	350	325	15	-	280	203	160	354	408	953	1007	314	254	-	-	323	254	215	21	-	246	300	100
80-65-125/ 00054	80M	X	-	80	65	100	117	-	200	162	-	160	180	127	-	118	-	511	-	-	-	225	130	-	-	150	-	-	156	-	100
80-65-125/ 00074	80M	X	-	80	65	100	117	-	200	162	-	160	180	127	-	118	-	557	-	-	-	225	130	-	-	150	-	-	156	-	100
80-65-125/ 00114	90S	X	X	80	65	100	117	-	200	190	-	160	180	127	-	118	118	610	654	-	-	225	130	-	-	150	-	-	156	200	100
80-65-125/ 00154	90L	-	X	80	65	100	117	-	200	190	-	160	180	127	-	118	118	610	654	-	-	225	130	-	-	150	-	-	156	200	100
80-65-125/ 00224	100L	-	X	80	65	100	117	-	250	213	-	160	180	127	-	118	118	660	704	-	-	225	130	-	-	150	-	-	170	214	100
80-65-160/ 00114	90S	X	-	80	65	100	132	-	200	190	-	160	200	140	-	118	118	610	654	-	-	225	130	-	-	160	-	-	156	200	100
80-65-160/ 00154	90L	X	X	80	65	100	132	-	200	190	-	160	200	140	-	118	118	610	654	-	-	225	130	-	-	160	-	-	156	200	100
80-65-160/ 00224	100L	X	X	80	65	100	132	-	250	213	-	160	200	140	-	118	118	660	704	-	-	225	130	-	-	160	-	-	170	214	100
80-65-160/ 00304	100L	-	X	80	65	100	132	-	250	213	-	160	200	140	-	118	118	660	704	-	-	225	130	-	-	160	-	-	170	214	100
80-65-160/ 00404	112M	-	X	80	65	100	132	-	250	235	-	160	200	140	-	118	118	642	686	-	-	225	130	-	-	160	-	-	170	214	100
80-65-200/ 00224	100L	X	-	80	65	100	155	-	250	213	-	160	225	161	-	118	118	660	704	-	-	225	130	-	-	178	-	20	170	214	140
80-65-200/ 00304	100L	X	X	80	65	100	155	-	250	213	-	160	225	161	-	118	118	660	704	-	-	225	130	-	-	178	-	20	170	214	140
80-65-200/ 00404	112M	X	X	80	65	100	155	-	250	235	-	160	225	161	-	118	118	642	686	-	-	225	130	-	-	178	-	-	170	214	140
80-65-200/ 00554	132S	-	X	80	65	100	155	55	300	274	12	-	225	161	132	282	326	750	794	220	140	-	-	270	216	178	15	-	193	237	140
80-65-200/ 00754	132M	-	X	80	65	100	155	59	300	298	12	-	225	161	132	282	326	750	794	240	178	-	-	270	216	178	15	20	193	237	140
80-65-250/ 00304	100L	X	-	80	65	100	179	-	250	213	-	180	250	185	-	142	142	680	728	-	-	260	180	-	-	199	-	20	190	238	140

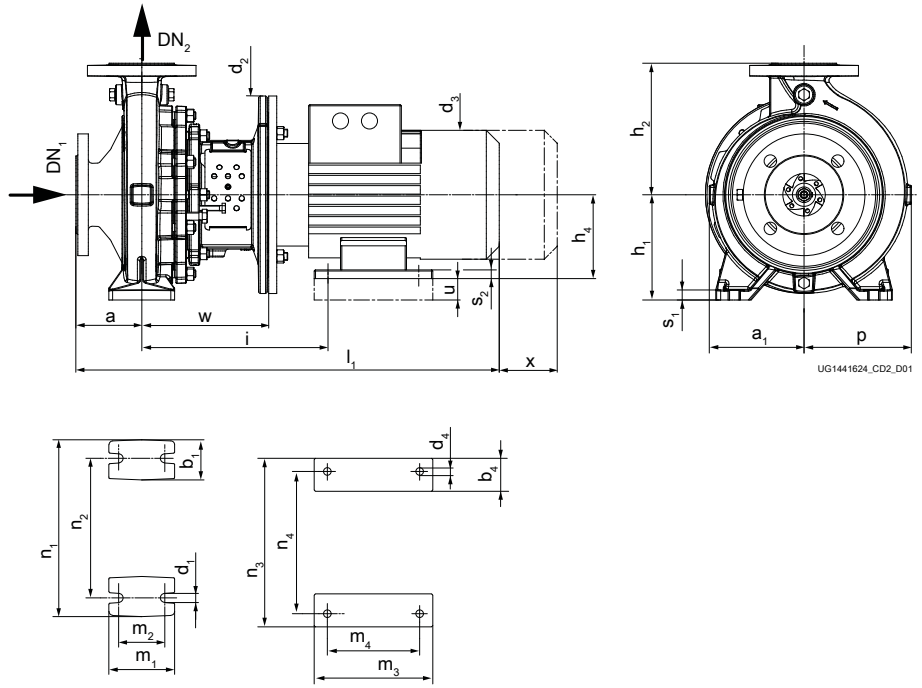


Size	Motor (IEC)	n		DN <sub>1</sub> <small>(66)</small>	DN <sub>2</sub> <small>(66)</small>	a <small>(66)</small>	a <sub>1</sub>	b <sub>4</sub>	d <sub>2</sub>	d <sub>3</sub>	d <sub>4</sub>	h <sub>1</sub>	h <sub>2</sub> <small>(66)</small>	h <sub>3</sub>	h <sub>4</sub>	i <small>(67)</small>	i <small>(68)</small>	l <sub>1</sub> <small>(67)</small>	l <sub>1</sub> <small>(68)</small>	m <sub>3</sub>	m <sub>4</sub>	n <sub>1</sub>	n <sub>2</sub>	n <sub>3</sub>	n <sub>4</sub>	p	s <sub>2</sub>	u <small>(69)</small>	w <small>(67)</small>	w <small>(68)</small>	x <small>(66)</small>
		1450	1750																												
		[rpm]																													
125-100-250/ 00754	132M	✗	-	125	100	140	188	59	300	298	12	-	280	200	132	302	350	810	858	240	178	-	-	270	216	219	15	-	213	261	140
125-100-250/ 01104	160M	✗	✗	125	100	140	188	70	350	325	15	-	280	200	160	354	408	932	986	310	210	-	-	323	254	219	21	-	246	300	140
125-100-250/ 01504	160L	✗	✗	125	100	140	188	70	350	325	15	-	280	200	160	354	408	968	1022	314	254	-	-	323	254	219	21	20	246	300	140
125-100-250/ 01854	180M	-	✗	125	100	140	188	80	350	370	15	-	280	200	180	367	421	1003	1057	343	241	-	-	368	279	219	23	-	246	300	140
125-100-250/ 02204	180L	-	✗	125	100	140	188	80	350	370	15	-	280	200	180	367	421	1003	1057	358	279	-	-	368	279	219	23	-	246	300	140
125-100-315/ 01504	160L	✗	-	125	100	140	225	70	350	325	15	-	315	237	160	354	408	968	1022	314	254	-	-	323	254	255	21	20	246	300	140
125-100-315/ 01854	180M	✗	-	125	100	140	225	80	350	370	15	-	315	237	180	367	421	1003	1057	343	241	-	-	368	279	255	23	20	246	300	140
125-100-315/ 02204	180L	✗	-	125	100	140	225	80	350	370	15	-	315	237	180	367	421	1003	1057	358	279	-	-	368	279	255	23	20	246	300	140
150-125-200/ 00754	132M	✗	-	150	125	140	189	59	300	298	12	-	315	212	132	302	350	810	858	240	178	-	-	270	216	242	15	-	213	261	140
150-125-200/ 01104	160M	✗	✗	150	125	140	189	70	350	325	15	-	315	212	160	354	408	932	986	310	210	-	-	323	254	242	21	-	246	300	140
150-125-200/ 01504	160L	✗	✗	150	125	140	189	70	350	325	15	-	315	212	160	354	408	968	1022	314	254	-	-	323	254	242	21	20	246	300	140
150-125-200/ 01854	180M	-	✗	150	125	140	189	80	350	370	15	-	315	212	180	367	421	1003	1057	343	241	-	-	368	279	242	23	20	246	300	140
150-125-200/ 02204	180L	-	✗	150	125	140	189	80	350	370	15	-	315	212	180	367	421	1003	1057	358	279	-	-	368	279	242	23	-	246	300	140
150-125-250/ 01104	160M	✗	-	150	125	140	226	70	350	325	15	-	355	248	160	354	408	932	986	310	210	-	-	323	254	275	21	-	246	300	140
150-125-250/ 01504	160L	✗	✗	150	125	140	226	70	350	325	15	-	355	248	160	354	408	968	1022	314	254	-	-	323	254	275	21	20	246	300	140
150-125-250/ 01854	180M	✗	✗	150	125	140	226	80	350	370	15	-	355	248	180	367	421	1003	1057	343	241	-	-	368	279	275	23	20	246	300	140
150-125-250/ 02204	180L	-	✗	150	125	140	226	80	350	370	15	-	355	248	180	367	421	1003	1057	358	279	-	-	368	279	275	23	-	246	300	140
200-150-200/ 00754	132M	✗	-	200	150	160	240	59	300	298	12	-	400	277	132	302	350	830	878	240	178	-	-	270	216	316	15	20	213	261	140
200-150-200/ 01104	160M	✗	-	200	150	160	240	70	350	325	15	-	400	277	160	354	408	952	1006	310	210	-	-	323	254	316	21	-	246	300	140
200-150-200/ 01504	160L	✗	✗	200	150	160	240	70	350	325	15	-	400	277	160	354	408	988	1042	314	254	-	-	323	254	316	21	20	246	300	140
200-150-200/ 01854	180M	-	✗	200	150	160	240	80	350	370	15	-	400	277	180	367	421	1023	1077	343	241	-	-	368	279	316	23	-	246	300	140
200-150-200/ 02204	180L	-	✗	200	150	160	240	80	350	370	15	-	400	277	180	367	421	1023	1077	358	279	-	-	368	279	316	23	-	246	300	140
200-150-250/ 01504	160L	✗	-	200	150	160	230	70	350	325	15	-	400	262	160	354	408	988	1042	314	254	-	-	323	254	300	21	-	246	300	140
200-150-250/ 01854	180M	✗	-	200	150	160	230	80	350	370	15	-	400	262	180	367	421	1023	1077	343	241	-	-	368	279	300	23	-	246	300	140
200-150-250/ 02204	180L	✗	✗	200	150	160	230	80	350	370	15	-	400	262	180	367	421	1023	1077	358	279	-	-	368	279	300	23	-	246	300	140

**Pump set with volute casing foot and motor foot (fixed speed version),  $\leq 22$  kW,  $n = 1450$  rpm /  $1750$  rpm**



Pump set with volute casing foot (up to motor size 112)



Pump set with volute casing foot and motor foot (motor sizes 132 to 180)

$n = 1450 \text{ rpm} / n = 1750 \text{ rpm}$ , material variants BB / CC / SG / SB / SC

Dimensions of Etabloc  $\leq 22 \text{ kW}^{70)}$

Values  $a_1, b_1, b_4, d_3, l_1, m_1, m_3, n_3$  and  $p$  may vary slightly for production-related reasons.

Size	Motor (IEC)	n		DN <sub>1</sub> <sup>71)</sup>	DN <sub>2</sub> <sup>71)</sup>	a <sup>71)</sup>	a <sub>1</sub>	b <sub>1</sub> <sup>71)</sup>	b <sub>4</sub>	d <sub>1</sub> <sup>71)</sup>	d <sub>2</sub>	d <sub>3</sub>	d <sub>4</sub>	h <sub>1</sub> <sup>71)</sup>	h <sub>2</sub> <sup>71)</sup>	h <sub>4</sub>	i <sup>72)</sup>	i <sup>73)</sup>	l <sub>1</sub> <sup>72)</sup>	l <sub>1</sub> <sup>73)</sup>	m <sub>1</sub> <sup>71)</sup>	m <sub>2</sub> <sup>71)</sup>	m <sub>3</sub>	m <sub>4</sub>	n <sub>1</sub> <sup>71)</sup>	n <sub>2</sub> <sup>71)</sup>	n <sub>3</sub>	n <sub>4</sub>	p	s <sub>1</sub> <sup>71)</sup>	s <sub>2</sub>	u <sup>74)</sup>	w <sup>72)</sup>	w <sup>73)</sup>	x <sup>71)</sup>
		1450	1750																																
		[rpm]		[mm]																															
40-25-160/ 00024	71M	X	X	40	25	80	118	50	-	14	160	145	-	132	160	-	-	-	453	-	100	70	-	-	240	190	-	-	118	15	-	-	136	-	100
40-25-160/ 00034	71M	X	X	40	25	80	118	50	-	14	160	145	-	132	160	-	-	-	453	-	100	70	-	-	240	190	-	-	118	15	-	-	136	-	100
40-25-160/ 00054	80M	-	X	40	25	80	118	50	-	14	200	162	-	132	160	-	-	-	491	-	100	70	-	-	240	190	-	-	118	15	-	-	156	-	100
40-25-160/ 00114	90S	X	X	40	25	80	118	50	-	14	200	190	-	132	160	-	-	-	590	634	100	70	-	-	240	190	-	-	118	15	-	-	156	200	100
40-25-200/ 00034	71M	X	-	40	25	80	142	50	-	14	160	145	-	160	180	-	-	-	453	-	100	70	-	-	240	190	-	-	142	15	-	-	136	-	100
40-25-200/ 00054	80M	X	X	40	25	80	142	50	-	14	200	162	-	160	180	-	-	-	491	-	100	70	-	-	240	190	-	-	142	15	-	-	156	-	100
40-25-200/ 00074	80M	-	X	40	25	80	142	50	-	14	200	162	-	160	180	-	-	-	537	-	100	70	-	-	240	190	-	-	142	15	-	-	156	-	100
40-25-200/ 00114	90S	-	X	40	25	80	142	50	-	14	200	190	-	160	180	-	-	-	590	634	100	70	-	-	240	190	-	-	142	15	-	-	156	200	100
50-32-125/ 00024	71M	X	-	50	32	80	115	50	-	14	160	145	-	112	140	-	-	-	453	-	100	70	-	-	190	140	-	-	115	15	-	-	136	-	100
50-32-125/ 00034	71M	X	X	50	32	80	115	50	-	14	160	145	-	112	140	-	-	-	453	-	100	70	-	-	190	140	-	-	115	15	-	-	136	-	100
50-32-125/ 00054	80M	X	X	50	32	80	115	50	-	14	200	162	-	112	140	-	-	-	491	-	100	70	-	-	190	140	-	-	115	15	-	-	156	-	100
50-32-125/ 00074	80M	-	X	50	32	80	115	50	-	14	200	162	-	112	140	-	-	-	537	-	100	70	-	-	190	140	-	-	115	15	-	-	156	-	100
50-32-125/ 00114	90S	X	X	50	32	80	115	50	-	14	200	190	-	112	140	-	-	-	590	634	100	70	-	-	190	140	-	-	115	15	-	-	156	200	100
50-32-125.1/ 00024	71M	X	X	50	32	80	116	50	-	14	160	145	-	112	140	-	-	-	453	-	100	70	-	-	190	140	-	-	116	15	-	-	136	-	100
50-32-125.1/ 00034	71M	X	X	50	32	80	116	50	-	14	160	145	-	112	140	-	-	-	453	-	100	70	-	-	190	140	-	-	116	15	-	-	136	-	100
50-32-125.1/ 00054	80M	X	X	50	32	80	116	50	-	14	200	162	-	112	140	-	-	-	491	-	100	70	-	-	190	140	-	-	116	15	-	-	156	-	100
50-32-125.1/ 00114	90S	X	X	50	32	80	116	50	-	14	200	190	-	112	140	-	-	-	590	634	100	70	-	-	190	140	-	-	116	15	-	-	156	200	100
50-32-160/ 00034	71M	X	-	50	32	80	118	50	-	14	160	145	-	132	160	-	-	-	453	-	100	70	-	-	240	190	-	-	128	15	-	-	136	-	100
50-32-160/ 00054	80M	X	X	50	32	80	118	50	-	14	200	162	-	132	160	-	-	-	491	-	100	70	-	-	240	190	-	-	128	15	-	-	156	-	100
50-32-160/ 00074	80M	X	X	50	32	80	118	50	-	14	200	162	-	132	160	-	-	-	537	-	100	70	-	-	240	190	-	-	128	15	-	-	156	-	100
50-32-160/ 00114	90S	-	X	50	32	80	118	50	-	14	200	190	-	132	160	-	-	-	590	634	100	70	-	-	240	190	-	-	128	15	-	-	156	200	100
50-32-160.1/ 00024	71M	X	-	50	32	80	116	50	-	14	160	145	-	132	160	-	-	-	453	-	100	70	-	-	240	190	-	-	121	15	-	-	136	-	100
50-32-160.1/ 00034	71M	X	X	50	32	80	116	50	-	14	160	145	-	132	160	-	-	-	453	-	100	70	-	-	240	190	-	-	121	15	-	-	136	-	100
50-32-160.1/ 00054	80M	X	X	50	32	80	116	50	-	14	200	162	-	132	160	-	-	-	491	-	100	70	-	-	240	190	-	-	121	15	-	-	156	-	100
50-32-160.1/ 00074	80M	-	X	50	32	80	116	50	-	14	200	162	-	132	160	-	-	-	537	-	100	70	-	-	240	190	-	-	121	15	-	-	156	-	100
50-32-200/ 00054	80M	X	-	50	32	80	142	50	-	14	200	162	-	160	180	-	-	-	491	-	100	70	-	-	240	190	-	-	143	18	-	-	156	-	100
50-32-200/ 00074	80M	X	-	50	32	80	142	50	-	14	200	162	-	160	180	-	-	-	537	-	100	70	-	-	240	190	-	-	143	18	-	-	156	-	100
50-32-200/ 00114	90S	X	X	50	32	80	142	50	-	14	200	190	-	160	180	-	-	-	590	634	100	70	-	-	240	190	-	-	143	18	-	-	156	200	100
50-32-200/ 00154	90L	-	X	50	32	80	142	50	-	14	200	190	-	160	180	-	-	-	590	634	100	70	-	-	240	190	-	-	143	18	-	-	156	200	100
50-32-200/ 00224	100L	-	X	50	32	80	142	50	-	14	250	213	-	160	180	-	-	-	640	684	100	70	-	-	240	190	-	-	143	18	-	-	170	214	100
50-32-200.1/ 00034	71M	X	-	50	32	80	142	50	-	14	160	145	-	160	180	-	-	-	453	-	100	70	-	-	240	190	-	-	142	18	-	-	136	-	100

70) Tolerances of mating dimensions to EN 735

71) Dimensions to EN 733

72) Dimension with single mechanical seal (A, IA, EA, FA)

73) Dimension with double mechanical seal (DB, TI)

74) Motor feet must be shimmed.

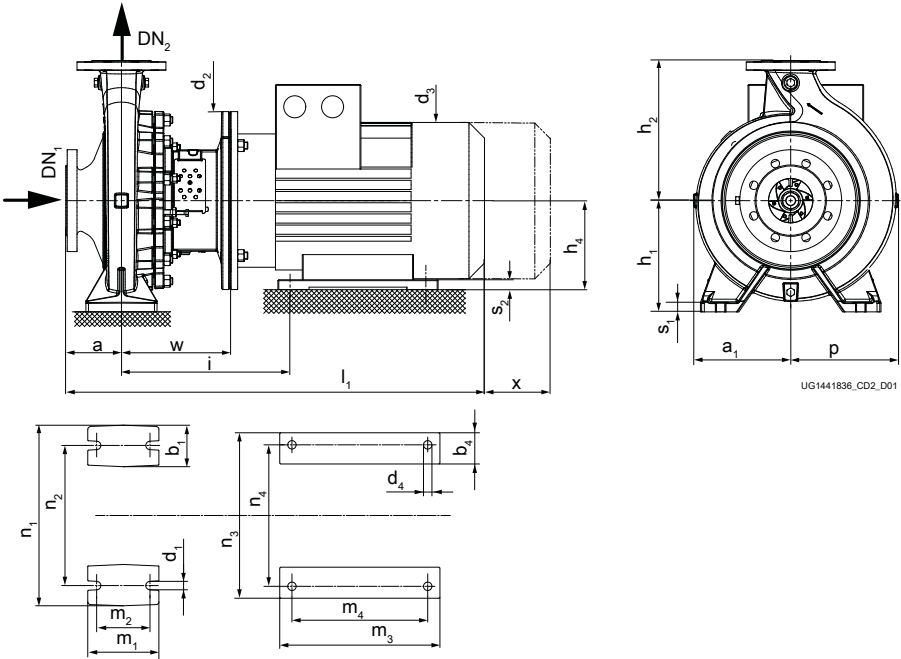






Size	Motor (IEC)	n		DN <sub>1</sub> 71)	DN <sub>2</sub> 71)	a 71)	a1	b <sub>1</sub> 71)	b <sub>4</sub>	d <sub>1</sub> 71)	d <sub>2</sub>	d <sub>3</sub>	d <sub>4</sub>	h <sub>1</sub> 71)	h <sub>2</sub> 71)	h <sub>4</sub>	i 72)	i 73)	l <sub>1</sub> 72)	l <sub>1</sub> 73)	m <sub>1</sub> 71)	m <sub>2</sub> 71)	m <sub>3</sub>	m <sub>4</sub>	n <sub>1</sub> 71)	n <sub>2</sub> 71)	n <sub>3</sub>	n <sub>4</sub>	p	s <sub>1</sub> 71)	s <sub>2</sub>	u 74)	w 72)	w 73)	x 71)
		1450	1750																																
		[rpm]																																	
125-100-250/ 00754	132M	✗	-	125	100	140	188	80	59	19	300	298	12	225	280	132	302	350	810	857,5	160	120	240	178	400	315	270	216	219	18	15	20	213	261	140
125-100-250/ 01104	160M	✗	✗	125	100	140	188	80	70	19	350	325	15	225	280	160	354	408	932	986	160	120	310	210	400	315	323	254	219	18	21	20	246	300	140
125-100-250/ 01504	160L	✗	✗	125	100	140	188	80	70	19	350	325	15	225	280	160	354	408	968	1022	160	120	314	254	400	315	323	254	219	18	21	20	246	300	140
125-100-250/ 01854	180M	-	✗	125	100	140	188	80	80	19	350	370	15	225	280	180	367	421	1003	1057	160	120	343	241	400	315	368	279	219	18	23	-	246	300	140
125-100-250/ 02204	180L	-	✗	125	100	140	188	80	80	19	350	370	15	225	280	180	367	421	1003	1057	160	120	358	279	400	315	368	279	219	18	23	-	246	300	140
125-100-315/ 01504	160L	✗	-	125	100	140	225	80	70	19	350	325	15	250	315	160	354	408	968	1022	160	120	314	254	400	315	323	254	255	18	21	20	246	300	140
125-100-315/ 01854	180M	✗	-	125	100	140	225	80	80	19	350	370	15	250	315	180	367	421	1003	1057	160	120	343	241	400	315	368	279	255	18	23	-	246	300	140
125-100-315/ 02204	180L	✗	-	125	100	140	225	80	80	19	350	370	15	250	315	180	367	421	1003	1057	160	120	358	279	400	315	368	279	255	18	23	-	246	300	140
150-125-200/ 00754	132M	✗	-	150	125	140	189	80	59	19	300	298	12	250	315	132	302	350	810	857,5	160	120	240	178	400	315	270	216	242	20	15	20	213	261	140
150-125-200/ 01104	160M	✗	✗	150	125	140	189	80	70	19	350	325	15	250	315	160	354	408	932	986	160	120	310	210	400	315	323	254	242	20	21	20	246	300	140
150-125-200/ 01504	160L	✗	✗	150	125	140	189	80	70	19	350	325	15	250	315	160	354	408	968	1022	160	120	314	254	400	315	323	254	242	20	21	20	246	300	140
150-125-200/ 01854	180M	-	✗	150	125	140	189	80	80	19	350	370	15	250	315	180	367	421	1003	1057	160	120	343	241	400	315	368	279	242	20	23	-	246	300	140
150-125-200/ 02204	180L	-	✗	150	125	140	189	80	80	19	350	370	15	250	315	180	367	421	1003	1057	160	120	358	279	400	315	368	279	242	20	23	-	246	300	140
150-125-250/ 01104	160M	✗	-	150	125	140	226	80	70	19	350	325	15	250	355	160	354	408	932	986	160	120	310	210	400	315	323	254	275	20	21	20	246	300	140
150-125-250/ 01504	160L	✗	✗	150	125	140	226	80	70	19	350	325	15	250	355	160	354	408	968	1022	160	120	314	254	400	315	323	254	275	20	21	20	246	300	140
150-125-250/ 01854	180M	✗	✗	150	125	140	226	80	80	19	350	370	15	250	355	180	367	421	1003	1057	160	120	343	241	400	315	368	279	275	20	23	-	246	300	140
150-125-250/ 02204	180L	-	✗	150	125	140	226	80	80	19	350	370	15	250	355	180	367	421	1003	1057	160	120	358	279	400	315	368	279	275	20	23	-	246	300	140
200-150-200/ 00754	132M	✗	-	200	150	160	240	100	59	24	300	298	12	280	400	132	302	350	830	877,5	200	150	240	178	550	450	270	216	316	20	15	20	213	261	140
200-150-200/ 01104	160M	✗	-	200	150	160	240	100	70	24	350	325	15	280	400	160	354	408	952	1006	200	150	310	210	550	450	323	254	316	20	21	20	246	300	140
200-150-200/ 01504	160L	✗	✗	200	150	160	240	100	70	24	350	325	15	280	400	160	354	408	988	1042	200	150	314	254	550	450	323	254	316	20	21	20	246	300	140
200-150-200/ 01854	180M	-	✗	200	150	160	240	100	80	24	350	370	15	280	400	180	367	421	1023	1077	200	150	343	241	550	450	368	279	316	20	23	-	246	300	140
200-150-200/ 02204	180L	-	✗	200	150	160	240	100	80	24	350	370	15	280	400	180	367	421	1023	1077	200	150	358	279	550	450	368	279	316	20	23	-	246	300	140
200-150-250/ 01504	160L	✗	-	200	150	160	230	100	70	24	350	325	15	280	400	160	354	408	988	1042	200	150	314	254	500	400	323	254	300	20	21	20	246	300	140
200-150-250/ 01854	180M	✗	-	200	150	160	230	100	80	24	350	370	15	280	400	180	367	421	1023	1077	200	150	343	241	500	400	368	279	300	20	23	-	246	300	140
200-150-250/ 02204	180L	✗	✗	200	150	160	230	100	80	24	350	370	15	280	400	180	367	421	1023	1077	200	150	358	279	500	400	368	279	300	20	23	-	246	300	140

Pump set with volute casing foot and motor foot (fixed speed version), 30 kW to 110 kW,  $n = 1450 \text{ rpm} / 1750 \text{ rpm}$



UG1441836\_CD2\_D01

Pump set with volute casing foot and motor foot (motor sizes 200 to 315, 4-pole)

n = 1450 rpm / n = 1750 rpm, material variants GG / GB / GC / BB / CC / SG / SB / SC

Dimensions of Etabloc from 30 kW to 110 kW<sup>75)</sup>

Values a<sub>1</sub>, b<sub>1</sub>, b<sub>4</sub>, d<sub>3</sub>, l<sub>1</sub>, m<sub>1</sub>, m<sub>3</sub>, n<sub>3</sub> and p may vary slightly for production-related reasons.

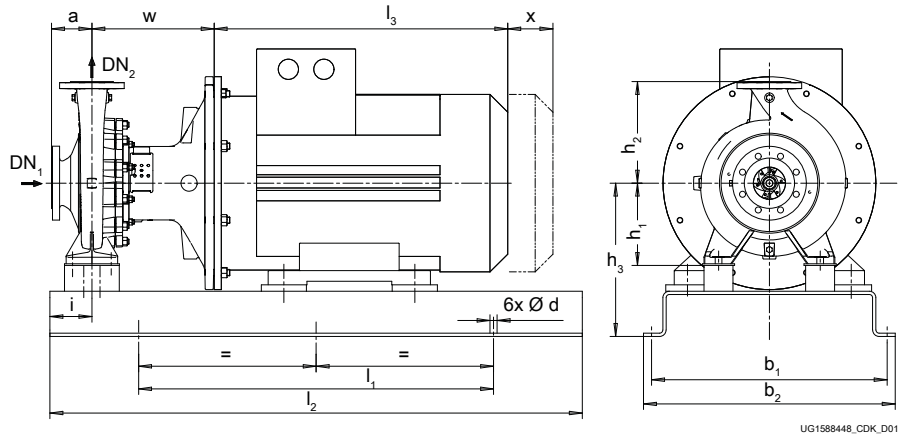
Table with columns: Size, Motor (IEC), n (1450, 1750 rpm), DN1, DN2, a, a1, b1, b4, d1, d2, d3, d4, h1, h2, h4, i, i77, i78, l1, l178, l177, m1, m2, m3, m4, n1, n2, n3, n4, p, s1, s2, w, w77, w78, x. The table contains 32 rows of technical specifications.

- 75) Tolerances of mating dimensions to EN 735
76) Dimensions to EN 733
77) Dimension with single mechanical seal (A, IA, EA, FA)
78) Dimension with double mechanical seal (DB, TI)



Size	Motor (IEC)	n		DN <sub>1</sub> <small>76</small>	DN <sub>2</sub> <small>76</small>	a <small>76</small>	a <sub>1</sub>	b <sub>1</sub> <small>76</small>	b <sub>4</sub>	d <sub>1</sub> <small>76</small>	d <sub>2</sub>	d <sub>3</sub>	d <sub>4</sub>	h <sub>1</sub> <small>76</small>	h <sub>2</sub> <small>76</small>	h <sub>4</sub>	i <small>77</small>	i <small>78</small>	l <sub>1</sub> <small>77</small>	l <sub>1</sub> <small>78</small>	m <sub>1</sub> <small>76</small>	m <sub>2</sub> <small>76</small>	m <sub>3</sub>	m <sub>4</sub>	n <sub>1</sub> <small>76</small>	n <sub>2</sub> <small>76</small>	n <sub>3</sub>	n <sub>4</sub>	p	s <sub>1</sub> <small>76</small>	s <sub>2</sub>	w <small>77</small>	w <small>78</small>	x <small>76</small>
		1450	1750																															
		[rpm]																																
200-150-315/ 04504	225M	✗	✗	200	150	160	255	100	100	24	450	468	19	280	400	225	426	483	1180	1237	200	150	412	311	550	450	458	356	304	20	35	277	334	140
200-150-315/ 05504	250M	✗	✗	200	150	160	255	100	100	24	550	520	24	280	400	250	457	502	1266	1311	200	150	467	349	550	450	531	406	304	20	40	289	334	140
200-150-315/ 07504	280S	-	✗	200	150	160	255	100	100	24	550	580	24	280	400	280	479	524	1374	1419	200	150	517	368	550	450	585	457	304	20	40	289	334	140
200-150-400/ 04504	225M	✗	-	200	150	160	289	100	100	24	450	468	19	315	450	225	426	483	1180	1237	200	150	412	311	550	450	458	356	331	20	35	277	334	140
200-150-400/ 05504	250M	✗	-	200	150	160	289	100	100	24	550	520	24	315	450	250	457	502	1266	1311	200	150	467	349	550	450	531	406	331	20	40	289	334	140
200-150-400/ 07504	280S	✗	✗	200	150	160	289	100	100	24	550	580	24	315	450	280	479	524	1374	1419	200	150	517	368	550	450	585	457	331	20	40	289	334	140
200-150-400/ 09004	280M	✗	✗	200	150	160	289	100	100	24	550	580	24	315	450	280	479	524	1429	1474	200	150	530	419	550	450	585	457	331	20	40	289	334	140
200-150-400/ 11004	315S	-	✗	200	150	160	289	100	132	24	650	664	28	315	450	315	595	595	1589	1589	200	150	621	406	550	450	662	508	331	20	50	379	379	140

Pump set with baseplate (fixed speed version), 55 kW to 110 kW,  $n = 1450 \text{ rpm} / 1750 \text{ rpm}$



Pump set with baseplate (motor sizes 250 to 315)

n = 1450 rpm / n = 1750 rpm, material variants GG / GB / GC / BB / CC / SB / SC / SG

Dimensions of Etabloc from 55 kW to 110 kW<sup>79)</sup>

Size	Motor	n		Baseplate to ZN 1393	DN <sub>1</sub> <small>80)</small>	DN <sub>2</sub> <small>80)</small>	a <small>80)</small>	b <sub>1</sub>	b <sub>2</sub>	d	h <sub>1</sub> <small>80)</small>	h <sub>2</sub> <small>80)</small>	h <sub>3</sub>	i	l <sub>1</sub>	l <sub>2</sub>	l <sub>3</sub> ≈	w <small>81)</small>	w <small>82)</small>	x <small>80)</small>
		1450	1750																	
		[rpm]																		
100-80-400/05504	250M	-	✗	10B	100	80	125	600	650	22	280	355	420	112	1060	1600	862	289	334	140
125-100/400/05504	250M	-	✗	10B	125	100	140	600	650	22	280	355	420	112	1060	1600	862	289	334	140
125-100-400/07504	280S	-	✗	11B	125	100	140	670	720	22	280	355	420	112	1060	1600	970	289	334	140
150-125-315-05504	250M	-	✗	10B	150	125	140	600	650	22	280	355	420	112	1060	1600	862	289	334	140
150-125-400/05504	250M	✗	-	10B	150	125	140	600	650	22	315	400	455	112	1060	1600	862	289	334	140
150-125-400/07504	280S	✗	✗	11B	150	125	140	670	720	22	315	400	455	112	1060	1600	970	289	334	140
150-125-400/09004	280M	-	✗	11B	150	125	140	670	720	22	315	400	455	112	1060	1600	1025	289	334	140
150-125-400/11004	315S	-	✗	12B	150	125	140	730	780	22	315	400	475	112	1100	1650	1050	379	379	140
200-150-315/05504	250M	✗	✗	11B	200	150	160	670	720	22	280	400	420	112	1060	1600	862	289	334	140
200-150-315/07504	280S	-	✗	11B	200	150	160	670	720	22	280	400	420	112	1060	1600	970	289	334	140
200-150-400/05504	250M	✗	-	11B	200	150	160	670	720	22	315	450	455	112	1060	1600	862	289	334	140
200-150-400/07504	280S	✗	✗	11B	200	150	160	670	720	22	315	450	455	112	1060	1600	970	289	334	140
200-150-400/09004	280M	✗	✗	11B	200	150	160	670	720	22	315	450	455	112	1060	1600	1025	289	334	140
200-150-400/11004	315S	-	✗	12B	200	150	160	730	780	22	315	450	475	112	1100	1650	1050	379	379	140

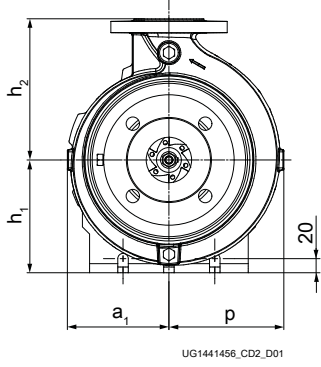
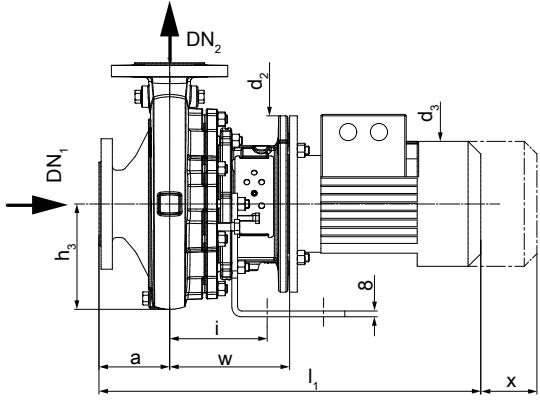
79) Tolerances of mating dimensions to EN 735

80) Dimensions to EN 733

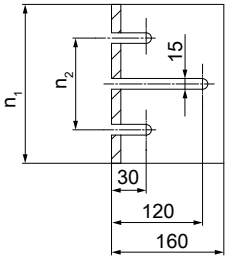
81) Dimension of Etabloc with single mechanical seal (A, AV, IA, EA, FA)

82) Dimension of Etabloc with double mechanical seal (DB, TI)

Pump set with support foot and motor foot (fixed speed version),  $\leq 22$  kW,  $n = 960$  rpm /  $1160$  rpm

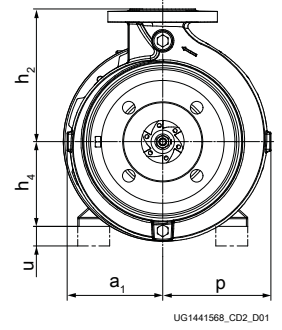
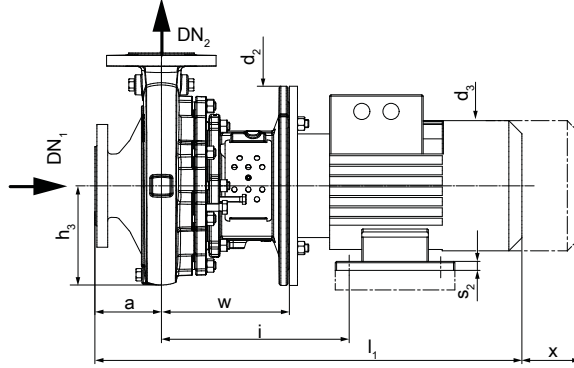


UG1441456\_CD2\_D01

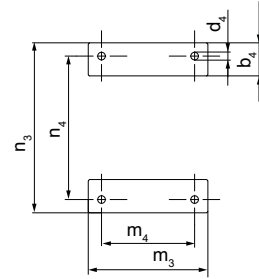


Pump set with support foot (up to motor size 112)

Dimensions [mm]



UG1441568\_CD2\_D01



Pump set with motor foot (motor sizes 132 to 180)

n = 960 rpm / n = 1160 rpm, material variants GG / GB / GC

Dimensions of Etabloc ≤ 22 kW<sup>83)</sup>

Values a<sub>1</sub>, b<sub>4</sub>, d<sub>3</sub>, l<sub>1</sub>, m<sub>3</sub>, n<sub>3</sub> and p may vary slightly for production-related reasons.

Size	Motor (IEC)	n		DN <sub>1</sub> (84)	DN <sub>2</sub> (84)	a (84)	a <sub>1</sub>	b <sub>4</sub>	d <sub>2</sub>	d <sub>3</sub>	d <sub>4</sub>	h <sub>1</sub>	h <sub>2</sub> (84)	h <sub>3</sub>	h <sub>4</sub>	i (85)	i (86)	l <sub>1</sub> (85)	l <sub>1</sub> (86)	m <sub>3</sub>	m <sub>4</sub>	n <sub>1</sub>	n <sub>2</sub>	n <sub>3</sub>	n <sub>4</sub>	p	s <sub>2</sub>	u (87)	w (85)	w (86)	x (84)
		960	1160																												
		[rpm]																													
40-25-160/ 00036	80M	X	X	40	25	80	118	-	200	162	-	160	160	107	-	118	-	491	-	-	-	225	130	-	-	118	-	-	156	-	100
40-25-160/ 00076	90S	X	X	40	25	80	118	-	200	190	-	160	160	107	-	118	118	518	562	-	-	225	130	-	-	118	-	-	156	200	100
40-25-200/ 00036	80M	X	X	40	25	80	142	-	200	162	-	160	180	137	-	118	-	491	-	-	-	225	130	-	-	142	-	-	156	-	100
40-25-200/ 00076	90S	X	X	40	25	80	142	-	200	190	-	160	180	137	-	118	118	518	562	-	-	225	130	-	-	142	-	-	156	200	100
50-32-125/ 00036	80M	X	X	50	32	80	115	-	200	162	-	160	140	100	-	118	-	491	-	-	-	225	130	-	-	115	-	-	156	-	100
50-32-125/ 00076	90S	X	X	50	32	80	115	-	200	190	-	160	140	100	-	118	118	518	562	-	-	225	130	-	-	115	-	-	156	200	100
50-32-125.1/ 00036	80M	X	X	50	32	80	116	-	200	162	-	160	140	100	-	118	-	491	-	-	-	225	130	-	-	116	-	-	156	-	100
50-32-125.1/ 00076	90S	X	X	50	32	80	116	-	200	190	-	160	140	100	-	118	118	518	562	-	-	225	130	-	-	116	-	-	156	200	100
50-32-160/ 00036	80M	X	X	50	32	80	118	-	200	162	-	160	160	115	-	118	-	491	-	-	-	225	130	-	-	128	-	-	156	-	100
50-32-160/ 00076	90S	X	X	50	32	80	118	-	200	190	-	160	160	115	-	118	118	518	562	-	-	225	130	-	-	128	-	-	156	200	100
50-32-160.1/ 00036	80M	X	X	50	32	80	116	-	200	162	-	160	160	111	-	118	-	491	-	-	-	225	130	-	-	121	-	-	156	-	100
50-32-160.1/ 00076	90S	X	X	50	32	80	116	-	200	190	-	160	160	111	-	118	118	518	562	-	-	225	130	-	-	121	-	-	156	200	100
50-32-200/ 00036	80M	X	X	50	32	80	142	-	200	162	-	160	180	137	-	118	-	491	-	-	-	225	130	-	-	143	-	-	156	-	100
50-32-200/ 00056	80M	X	X	50	32	80	142	-	200	162	-	160	180	137	-	118	-	491	-	-	-	225	130	-	-	143	-	-	156	-	100
50-32-200/ 00076	90S	X	X	50	32	80	142	-	200	190	-	160	180	137	-	118	118	518	562	-	-	225	130	-	-	143	-	-	156	200	100
50-32-200.1/ 00036	80M	X	X	50	32	80	142	-	200	162	-	160	180	136	-	118	-	491	-	-	-	225	130	-	-	142	-	-	156	-	100
50-32-200.1/ 00076	90S	X	X	50	32	80	142	-	200	190	-	160	180	136	-	118	118	518	562	-	-	225	130	-	-	142	-	-	156	200	100
50-32-250/ 00036	80M	X	X	50	32	100	169	-	200	162	-	160	225	166	-	118	-	511	-	-	-	225	130	-	-	178	-	-	156	-	100
50-32-250/ 00056	80M	X	X	50	32	100	169	-	200	162	-	160	225	166	-	118	-	511	-	-	-	225	130	-	-	178	-	-	156	-	100
50-32-250/ 00076	90S	X	X	50	32	100	169	-	200	190	-	160	225	166	-	118	118	538	562	-	-	225	130	-	-	178	-	-	156	200	100
50-32-250/ 00076	90L	-	X	50	32	100	169	-	200	190	-	160	225	166	-	118	118	564	562	-	-	225	130	-	-	178	-	-	156	200	100
50-32-250.1/ 00036	80M	X	X	50	32	100	168	-	200	162	-	160	225	166	-	118	-	511	-	-	-	225	130	-	-	168	-	-	156	-	100
50-32-250.1/ 00056	80M	X	X	50	32	100	168	-	200	162	-	160	225	166	-	118	-	511	-	-	-	225	130	-	-	168	-	-	156	-	100
50-32-250.1/ 00076	90S	X	X	50	32	100	168	-	200	190	-	160	225	166	-	118	118	538	562	-	-	225	130	-	-	168	-	-	156	200	100
65-40-125/ 00036	80M	X	X	65	40	80	117	-	200	162	-	160	140	107	-	118	-	491	-	-	-	225	130	-	-	117	-	-	156	-	100
65-40-125/ 00076	90S	X	X	65	40	80	117	-	200	190	-	160	140	107	-	118	118	518	562	-	-	225	130	-	-	117	-	-	156	200	100
65-40-160/ 00036	80M	X	X	65	40	80	119	-	200	162	-	160	160	119	-	118	-	491	-	-	-	225	130	-	-	134	-	-	156	-	100
65-40-160/ 00056	80M	X	X	65	40	80	119	-	200	162	-	160	160	119	-	118	-	491	-	-	-	225	130	-	-	134	-	-	156	-	100
65-40-160/ 00076	90S	X	X	65	40	80	119	-	200	190	-	160	160	119	-	118	118	518	562	-	-	225	130	-	-	134	-	-	156	200	100
65-40-200/ 00036	80M	X	X	65	40	100	142	-	200	162	-	160	180	141	-	118	-	511	-	-	-	225	130	-	-	155	-	-	156	-	100
65-40-200/ 00056	80M	X	X	65	40	100	142	-	200	162	-	160	180	141	-	118	-	511	-	-	-	225	130	-	-	155	-	-	156	-	100

83) Tolerances of mating dimensions to EN 735

84) Dimensions to EN 733

85) Dimension with single mechanical seal (A, IA, EA, FA)

86) Dimension with double mechanical seal (DB, TI)

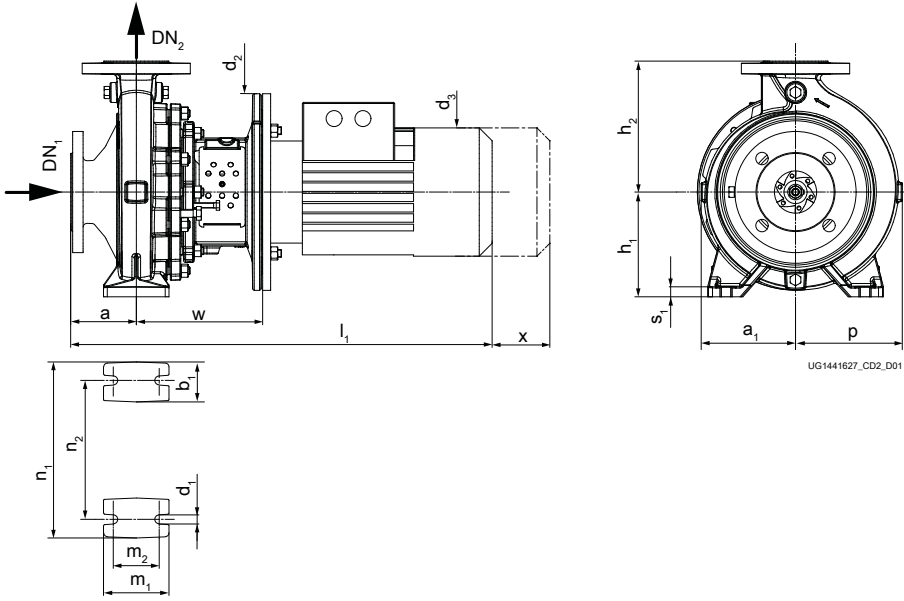
87) Motor feet must be shimmed.

Size	Motor (IEC)	n		DN <sub>1</sub> <small>84)</small>	DN <sub>2</sub> <small>84)</small>	a <small>84)</small>	a <sub>1</sub>	b <sub>4</sub>	d <sub>2</sub>	d <sub>3</sub>	d <sub>4</sub>	h <sub>1</sub>	h <sub>2</sub> <small>84)</small>	h <sub>3</sub>	h <sub>4</sub>	i <small>85)</small>	i <small>86)</small>	l <sub>1</sub> <small>85)</small>	l <sub>1</sub> <small>86)</small>	m <sub>3</sub>	m <sub>4</sub>	n <sub>1</sub>	n <sub>2</sub>	n <sub>3</sub>	n <sub>4</sub>	p	s <sub>2</sub>	u <small>87)</small>	w <small>85)</small>	w <small>86)</small>	x <small>84)</small>
		960	1160																												
		[rpm]																													
65-40-200/ 00076	90S	X	X	65	40	100	142	-	200	190	-	160	180	141	-	118	118	538	582	-	-	225	130	-	-	155	-	-	156	200	100
65-40-250/ 00036	80M	X	-	65	40	100	169	-	200	162	-	160	225	166	-	118	-	511	-	-	-	225	130	-	-	179	-	-	156	-	100
65-40-250/ 00056	80M	X	X	65	40	100	169	-	200	162	-	160	225	166	-	118	-	511	-	-	-	225	130	-	-	179	-	-	156	-	100
65-40-250/ 00076	90S	X	X	65	40	100	169	-	200	190	-	160	225	166	-	118	118	538	582	-	-	225	130	-	-	179	-	-	156	200	100
65-40-250/ 00116	90L	X	X	65	40	100	169	-	200	190	-	160	225	166	-	118	118	564	608	-	-	225	130	-	-	179	-	-	156	200	100
65-40-250/ 00156	100L	-	X	65	40	100	169	-	250	213	-	160	225	166	-	118	118	652	696	-	-	225	130	-	-	179	-	-	170	214	100
65-40-315/ 00156	100L	X	X	65	40	125	207	-	250	213	-	180	250	204	-	142	142	697	745	-	-	260	180	-	-	207	-	-	190	238	100
65-40-315/ 00226	112M	X	X	65	40	125	207	-	250	234	-	180	250	204	-	142	142	686	734	-	-	260	180	-	-	207	-	-	190	238	100
65-40-315/ 00306	132S	-	X	65	40	125	207	55	300	266	12	-	250	204	132	302	350	751	799	220	140	-	-	270	216	207	15	20	213	261	100
65-50-125/ 00036	80M	X	X	65	50	100	117	-	200	162	-	160	160	112	-	118	-	511	-	-	-	225	130	-	-	130	-	-	156	-	100
65-50-125/ 00076	90S	X	X	65	50	100	117	-	200	190	-	160	160	112	-	118	118	538	582	-	-	225	130	-	-	130	-	-	156	200	100
65-50-160/ 00036	80M	X	X	65	50	100	128	-	200	162	-	160	180	133	-	118	-	511	-	-	-	225	130	-	-	149	-	-	156	-	100
65-50-160/ 00056	80M	X	X	65	50	100	128	-	200	162	-	160	180	133	-	118	-	511	-	-	-	225	130	-	-	149	-	-	156	-	100
65-50-160/ 00076	90S	X	X	65	50	100	128	-	200	190	-	160	180	133	-	118	118	538	582	-	-	225	130	-	-	149	-	-	156	200	100
65-50-200/ 00036	80M	X	-	65	50	100	144	-	200	162	-	160	200	150	-	118	-	511	-	-	-	225	130	-	-	163	-	-	156	-	100
65-50-200/ 00056	80M	X	X	65	50	100	144	-	200	162	-	160	200	150	-	118	-	511	-	-	-	225	130	-	-	163	-	-	156	-	100
65-50-200/ 00076	90S	X	X	65	50	100	144	-	200	190	-	160	200	150	-	118	118	538	582	-	-	225	130	-	-	163	-	-	156	200	100
65-50-200/ 00116	90L	X	X	65	50	100	144	-	200	190	-	160	200	150	-	118	118	564	608	-	-	225	130	-	-	163	-	-	156	200	100
65-50-200/ 00156	100L	-	X	65	50	100	144	-	250	213	-	160	200	150	-	118	118	652	696	-	-	225	130	-	-	163	-	-	170	214	100
65-50-250/ 00056	80M	X	-	65	50	100	170	-	200	162	-	160	225	172	-	118	-	511	-	-	-	225	130	-	-	186	-	-	156	-	100
65-50-250/ 00076	90S	X	-	65	50	100	170	-	200	190	-	160	225	172	-	118	118	538	582	-	-	225	130	-	-	186	-	-	156	200	100
65-50-250/ 00116	90L	X	X	65	50	100	170	-	200	190	-	160	225	172	-	118	118	564	608	-	-	225	130	-	-	186	-	-	156	200	100
65-50-250/ 00156	100L	-	X	65	50	100	170	-	250	213	-	160	225	172	-	118	118	652	696	-	-	225	130	-	-	186	-	-	170	214	100
65-50-250/ 00226	112M	-	X	65	50	100	170	-	250	234	-	160	225	172	-	118	118	641	685	-	-	225	130	-	-	186	-	-	170	214	100
65-50-315/ 00156	100L	X	-	65	50	125	207	-	250	213	-	180	280	203	-	142	142	697	745	-	-	260	180	-	-	215	-	-	190	238	100
65-50-315/ 00226	112M	X	X	65	50	125	207	-	250	234	-	180	280	203	-	142	142	686	734	-	-	260	180	-	-	215	-	-	190	238	100
65-50-315/ 00306	132S	X	X	65	50	125	207	55	300	266	12	-	280	203	132	302	350	751	799	220	140	-	-	270	216	215	15	20	213	261	100
65-50-315/ 00406	132M	-	X	65	50	125	207	59	300	298	12	-	280	203	132	302	350	779	827	240	178	-	-	270	216	215	15	20	213	261	100
80-65-125/ 00036	80M	X	X	80	65	100	117	-	200	162	-	160	180	127	-	118	-	511	-	-	-	225	130	-	-	150	-	-	156	-	100
80-65-125/ 00056	80M	X	X	80	65	100	117	-	200	162	-	160	180	127	-	118	-	511	-	-	-	225	130	-	-	150	-	-	156	-	100
80-65-125/ 00076	90S	X	X	80	65	100	117	-	200	190	-	160	180	127	-	118	118	538	582	-	-	225	130	-	-	150	-	-	156	200	100
80-65-160/ 00036	80M	X	X	80	65	100	132	-	200	162	-	160	200	140	-	118	-	511	-	-	-	225	130	-	-	160	-	-	156	-	100
80-65-160/ 00056	80M	X	X	80	65	100	132	-	200	162	-	160	200	140	-	118	-	511	-	-	-	225	130	-	-	160	-	-	156	-	100
80-65-160/ 00076	90S	X	X	80	65	100	132	-	200	190	-	160	200	140	-	118	118	538	582	-	-	225	130	-	-	160	-	-	156	200	100
80-65-160/ 00116	90L	-	X	80	65	100	132	-	200	190	-	160	200	140	-	118	118	564	608	-	-	225	130	-	-	160	-	-	156	200	100
80-65-200/ 00056	80M	X	-	80	65	100	155	-	200	162	-	160	225	161	-	118	-	511	-	-	-	225	130	-	-	178	-	-	156	-	140
80-65-200/ 00076	90S	X	-	80	65	100	155	-	200	190	-	160	225	161	-	118	118	538	582	-	-	225	130	-	-	178	-	-	156	200	140
80-65-200/ 00116	90L	X	X	80	65	100	155	-	200	190	-	160	225	161	-	118	118	564	608	-	-	225	130	-	-	178	-	-	156	200	140
80-65-200/ 00156	100L	-	X	80	65	100	155	-	250	213	-	160	225	161	-	118	118	652	696	-	-	225	130	-	-	178	-	-	170	214	140
80-65-200/ 00226	112M	-	X	80	65	100	155	-	250	234	-	160	225	161	-	118	118	641	685	-	-	225	130	-	-	178	-	-	170	214	140

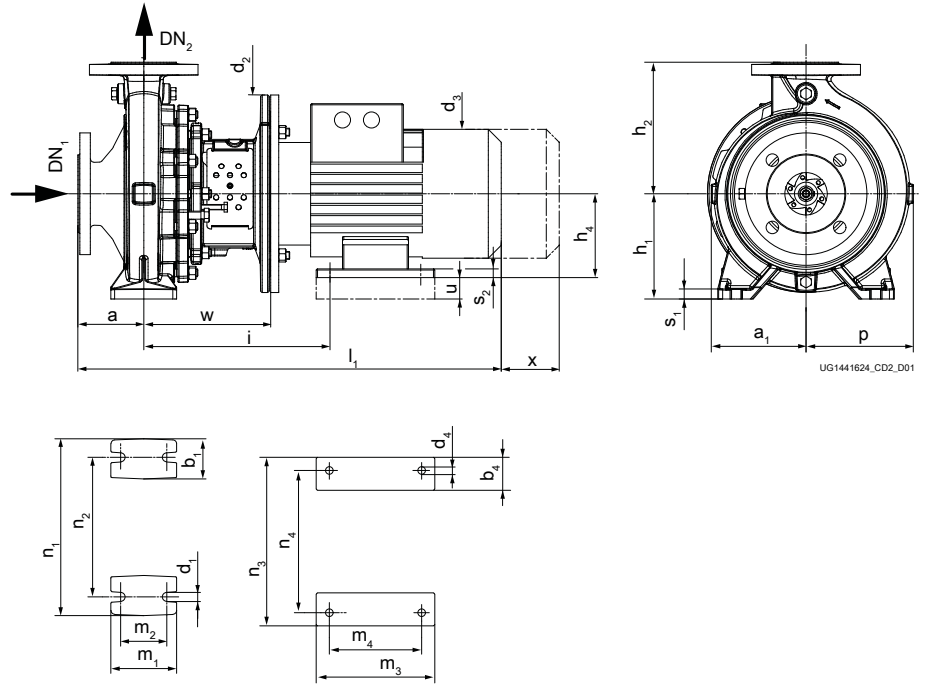
Size	Motor (IEC)	n		DN <sub>1</sub> <small>(84)</small>	DN <sub>2</sub> <small>(84)</small>	a <small>(84)</small>	a <sub>1</sub>	b <sub>4</sub>	d <sub>2</sub>	d <sub>3</sub>	d <sub>4</sub>	h <sub>1</sub>	h <sub>2</sub> <small>(84)</small>	h <sub>3</sub>	h <sub>4</sub>	i <small>(85)</small>	i <small>(86)</small>	l <sub>1</sub> <small>(85)</small>	l <sub>1</sub> <small>(86)</small>	m <sub>3</sub>	m <sub>4</sub>	n <sub>1</sub>	n <sub>2</sub>	n <sub>3</sub>	n <sub>4</sub>	p	s <sub>2</sub>	u <small>(87)</small>	w <small>(85)</small>	w <small>(86)</small>	x <small>(84)</small>
		960	1160																												
		[rpm]																													
80-65-250/ 00156	100L	X	X	80	65	100	179	-	250	213	-	180	250	185	-	142	142	672	720	-	-	260	180	-	-	199	-	-	190	238	140
80-65-250/ 00226	112M	X	X	80	65	100	179	-	250	234	-	180	250	185	-	142	142	661	709	-	-	260	180	-	-	199	-	-	190	238	140
80-65-250/ 00306	132S	-	X	80	65	100	179	55	300	266	12	-	250	185	132	302	350	726	774	220	140	-	-	270	216	199	15	20	213	261	140
80-65-315/ 00226	112M	X	X	80	65	125	209	-	250	234	-	180	280	213	-	142	142	686	734	-	-	260	180	-	-	229	-	-	190	238	140
80-65-315/ 00306	132S	X	X	80	65	125	209	55	300	266	12	-	280	213	132	302	350	751	799	220	140	-	-	270	216	229	15	20	213	261	140
80-65-315/ 00406	132M	X	X	80	65	125	209	59	300	298	12	-	280	213	132	302	350	779	827	240	178	-	-	270	216	229	15	20	213	261	140
80-65-315/ 00556	132M	-	X	80	65	125	209	59	300	298	12	-	280	213	132	302	350	779	827	240	178	-	-	270	216	229	15	20	213	261	140
100-80-160/ 00056	160M	X	-	100	80	125	138	-	200	162	-	160	225	153	-	118	-	536	-	-	-	225	130	-	-	174	-	-	156	-	140
100-80-160/ 00076	160L	X	X	100	80	125	138	-	200	190	-	160	225	153	-	118	118	563	607	-	-	225	130	-	-	174	-	-	156	200	140
100-80-160/ 00116	180M	X	X	100	80	125	138	-	200	190	-	160	225	153	-	118	118	589	633	-	-	225	130	-	-	174	-	-	156	200	140
100-80-160/ 00156	180M	-	X	100	80	125	138	-	250	213	-	160	225	153	-	118	118	677	721	-	-	225	130	-	-	174	-	-	170	214	140
100-80-200/ 00156	100L	X	X	100	80	125	159	-	250	213	-	180	250	170	-	142	142	697	745	-	-	260	180	-	-	188	-	-	190	238	140
100-80-200/ 00226	112M	X	X	100	80	125	159	-	250	234	-	180	250	170	-	142	142	686	734	-	-	260	180	-	-	188	-	-	190	238	140
100-80-200/ 00306	132S	X	X	100	80	125	159	55	300	266	12	-	250	170	132	302	350	751	799	220	140	-	-	270	216	188	15	20	213	261	140
100-80-250/ 00156	100L	X	-	100	80	125	183	-	250	213	-	180	280	192	-	142	142	697	745	-	-	260	180	-	-	209	-	-	190	238	140
100-80-250/ 00226	112M	X	-	100	80	125	183	-	250	234	-	180	280	192	-	142	142	686	734	-	-	260	180	-	-	209	-	-	190	238	140
100-80-250/ 00306	132S	X	X	100	80	125	183	55	300	266	12	-	280	192	132	302	350	751	799	220	140	-	-	270	216	209	15	20	213	261	140
100-80-250/ 00406	132M	X	X	100	80	125	183	59	300	298	12	-	280	192	132	302	350	779	827	240	178	-	-	270	216	209	15	20	213	261	140
100-80-250/ 00556	132M	-	X	100	80	125	183	59	300	298	12	-	280	192	132	302	350	779	827	240	178	-	-	270	216	209	15	20	213	261	140
100-80-315/ 00306	132S	X	-	100	80	125	218	55	300	266	12	-	315	227	132	302	350	751	799	220	140	-	-	270	216	242	15	20	213	261	140
100-80-315/ 00406	132M	X	X	100	80	125	218	59	300	298	12	-	315	227	132	302	350	779	827	240	178	-	-	270	216	242	15	20	213	261	140
100-80-315/ 00556	132M	X	X	100	80	125	218	59	300	298	12	-	315	227	132	302	350	779	827	240	178	-	-	270	216	242	15	20	213	261	140
100-80-315/ 00756	160M	X	X	100	80	125	218	70	350	325	15	-	315	227	160	354	408	917	971	300	210	-	-	320	254	242	21	20	246	300	140
100-80-315/ 01106	160L	-	X	100	80	125	218	70	350	325	15	-	315	227	160	354	408	923	977	314	254	-	-	320	254	242	21	20	246	300	140
125-100-160/ 00156	100L	X	X	125	100	125	178	-	250	213	-	180	280	199	-	142	142	697	745	-	-	260	180	-	-	225	-	-	190	238	140
125-100-160/ 00226	112M	-	X	125	100	125	178	-	250	234	-	180	280	199	-	142	142	686	734	-	-	260	180	-	-	225	-	-	190	238	140
125-100-200/ 00156	100L	X	X	125	100	125	173	-	250	213	-	180	280	189	-	142	142	697	745	-	-	260	180	-	-	212	-	-	190	238	140
125-100-200/ 00226	112M	X	X	125	100	125	173	-	250	234	-	180	280	189	-	142	142	686	734	-	-	260	180	-	-	212	-	-	190	238	140
125-100-200/ 00306	132S	-	X	125	100	125	173	55	300	266	12	-	280	189	132	302	350	751	799	220	140	-	-	270	216	212	15	20	213	261	140
125-100-200/ 00406	132M	-	X	125	100	125	173	59	300	298	12	-	280	189	132	302	350	779	827	240	178	-	-	270	216	212	15	20	213	261	140
125-100-250/ 00226	112M	X	-	125	100	140	188	-	250	234	-	180	280	200	-	142	142	701	749	-	-	260	180	-	-	219	-	-	190	238	140
125-100-250/ 00306	132S	X	X	125	100	140	188	55	300	266	12	-	280	200	132	302	350	766	814	220	140	-	-	270	216	219	15	20	213	261	140
125-100-250/ 00406	132M	X	X	125	100	140	188	59	300	298	12	-	280	200	132	302	350	794	842	240	178	-	-	270	216	219	15	20	213	261	140
125-100-250/ 00556	132M	-	X	125	100	140	188	59	300	298	12	-	280	200	132	302	350	794	842	240	178	-	-	270	216	219	15	20	213	261	140
125-100-250/ 00756	160M	-	X	125	100	140	188	70	350	325	15	-	280	200	160	354	408	932	966	300	210	-	-	320	254	219	21	20	246	300	140
125-100-315/ 00406	132M	X	-	125	100	140	225	59	300	298	12	-	315	237	132	302	350	794	842	240	178	-	-	270	216	255	15	20	213	261	140
125-100-315/ 00556	132M	X	-	125	100	140	225	59	300	298	12	-	315	237	132	302	350	794	842	240	178	-	-	270	216	255	15	20	213	261	140
125-100-315/ 00756	160M	X	X	125	100	140	225	70	350	325	15	-	315	237	160	354	408	932	986	300	210	-	-	320	254	255	21	20	246	300	140
125-100-315/ 01106	160L	X	X	125	100	140	225	70	350	325	15	-	315	237	160	354	408	938	992	314	254	-	-	320	254	255	21	20	246	300	140
150-125-200/ 00226	112M	X	-	150	125	140	189	-	250	234	-	180	315	212	-	142	142	701	749	-	-	260	180	-	-	242	-	-	190	238	140

Size	Motor (IEC)	n		DN <sub>1</sub> <small>84)</small>	DN <sub>2</sub> <small>84)</small>	a <small>84)</small>	a <sub>1</sub>	b <sub>4</sub>	d <sub>2</sub>	d <sub>3</sub>	d <sub>4</sub>	h <sub>1</sub>	h <sub>2</sub> <small>84)</small>	h <sub>3</sub>	h <sub>4</sub>	i <small>85)</small>	i <small>86)</small>	l <sub>1</sub> <small>85)</small>	l <sub>1</sub> <small>86)</small>	m <sub>3</sub>	m <sub>4</sub>	n <sub>1</sub>	n <sub>2</sub>	n <sub>3</sub>	n <sub>4</sub>	p	s <sub>2</sub>	u <small>87)</small>	w <small>85)</small>	w <small>86)</small>	x <small>84)</small>
		960	1160																												
		[rpm]																													
150-125-200/ 00306	132S	✗	✗	150	125	140	189	55	300	266	12	-	315	212	132	302	350	766	814	220	140	-	-	270	216	242	15	20	213	261	140
150-125-200/ 00406	132M	-	✗	150	125	140	189	59	300	298	12	-	315	212	132	302	350	794	842	240	178	-	-	270	216	242	15	20	213	261	140
150-125-200/ 00556	132M	-	✗	150	125	140	189	59	300	298	12	-	315	212	132	302	350	794	842	240	178	-	-	270	216	242	15	20	213	261	140
150-125-250/ 00306	132S	✗	-	150	125	140	226	55	300	266	12	-	355	248	132	302	350	766	814	220	140	-	-	270	216	275	15	20	213	261	140
150-125-250/ 00406	132M	✗	✗	150	125	140	226	59	300	298	12	-	355	248	132	302	350	794	842	240	178	-	-	270	216	275	15	20	213	261	140
150-125-250/ 00556	132M	✗	✗	150	125	140	226	59	300	298	12	-	355	248	132	302	350	794	842	240	178	-	-	270	216	275	15	20	213	261	140
150-125-250/ 00756	160M	-	✗	150	125	140	226	70	350	325	15	-	355	248	160	354	408	932	986	300	210	-	-	320	254	275	21	20	246	300	140
200-150-200/ 00306	132S	✗	-	200	150	160	240	55	300	266	12	-	400	277	132	302	350	786	834	220	140	-	-	270	216	316	15	20	213	261	140
200-150-200/ 00406	132M	✗	✗	200	150	160	240	59	300	298	12	-	400	277	132	302	350	814	862	240	178	-	-	270	216	316	15	20	213	261	140
200-150-200/ 00556	132M	-	✗	200	150	160	240	59	300	298	12	-	400	277	132	302	350	814	862	240	178	-	-	270	216	316	15	20	213	261	140
200-150-200/ 00756	160M	-	✗	200	150	160	240	70	350	325	15	-	400	277	160	354	408	952	1006	300	210	-	-	320	254	316	21	20	246	300	140
200-150-250/ 00406	132M	✗	-	200	150	160	230	59	300	298	12	-	400	262	132	302	350	814	862	240	178	-	-	270	216	300	15	20	213	261	140
200-150-250/ 00556	132M	✗	✗	200	150	160	230	59	300	298	12	-	400	262	132	302	350	814	862	240	178	-	-	270	216	300	15	20	213	261	140
200-150-250/ 00756	160M	✗	✗	200	150	160	230	70	350	325	15	-	400	262	160	354	408	952	1006	300	210	-	-	320	254	300	21	20	246	300	140
200-150-250/ 01106	160L	✗	✗	200	150	160	230	70	350	325	15	-	400	262	160	354	408	958	1012	314	254	-	-	320	254	300	21	20	246	300	140
200-150-250/ 01506	180L	-	✗	200	150	160	230	80	350	370	15	-	400	262	160	367	421	1016	1070	358	279	-	-	360	279	300	23	-	246	300	140

**Pump set with volute casing foot and motor foot (fixed speed version),  $\leq 22$  kW,  $n = 960$  rpm /  $1160$  rpm**



Pump set with volute casing foot (up to motor size 112)



Pump set with volute casing foot and motor foot (motor sizes 132 to 180)

**n = 960 rpm / n = 1160 rpm, material variants BB / CC / SB / SC / SG**

Dimensions of Etabloc ≤ 22 kW<sup>88)</sup>

Values  $a_1$ ,  $b_4$ ,  $d_3$ ,  $l_1$ ,  $m_3$ ,  $n_3$  and  $p$  may vary slightly for production-related reasons.

Size	Motor (IEC)	n		DN <sub>1</sub> (89)	DN <sub>2</sub> (89)	a (89)	a1	b <sub>1</sub> (89)	b <sub>4</sub>	d <sub>1</sub> (89)	d <sub>2</sub>	d <sub>3</sub>	d <sub>4</sub>	h <sub>1</sub> (89)	h <sub>2</sub> (89)	h <sub>4</sub>	i (90)	i (91)	l <sub>1</sub> (90)	l <sub>1</sub> (91)	m <sub>1</sub> (89)	m <sub>2</sub> (89)	m <sub>3</sub>	m <sub>4</sub>	n <sub>1</sub> (89)	n <sub>2</sub> (89)	n <sub>3</sub>	n <sub>4</sub>	p	s <sub>1</sub> (89)	s <sub>2</sub>	u (92)	w (90)	w (91)	x (89)
		960	1160																																
		[rpm]																																	
40-25-160/00036	80M	X	X	40	25	80	118	50	-	14	200	162	-	132	160	-	-	-	491	-	100	70	-	-	240	190	-	-	118	15	-	-	156	-	100
40-25-160/00076	90S	X	X	40	25	80	118	50	-	14	200	190	-	132	160	-	-	118	518	562	100	70	-	-	240	190	-	-	118	15	-	-	156	200	100
40-25-200/00036	80M	X	X	40	25	80	142	50	-	14	200	162	-	160	180	-	-	-	491	-	100	70	-	-	240	190	-	-	142	15	-	-	156	-	100
40-25-200/00076	90S	X	X	40	25	80	142	50	-	14	200	190	-	160	180	-	-	118	518	562	100	70	-	-	240	190	-	-	142	15	-	-	156	200	100
50-32-125/00036	80M	X	X	50	32	80	115	50	-	14	200	162	-	112	140	-	-	-	491	-	100	70	-	-	190	140	-	-	115	15	-	-	156	-	100
50-32-125/00076	90S	X	X	50	32	80	115	50	-	14	200	190	-	112	140	-	-	118	518	562	100	70	-	-	190	140	-	-	115	15	-	-	156	200	100
50-32-125.1/00036	80M	X	X	50	32	80	116	50	-	14	200	162	-	112	140	-	-	-	491	-	100	70	-	-	190	140	-	-	116	15	-	-	156	-	100
50-32-125.1/00076	90S	X	X	50	32	80	116	50	-	14	200	190	-	112	140	-	-	118	518	562	100	70	-	-	190	140	-	-	116	15	-	-	156	200	100
50-32-160/00036	80M	X	X	50	32	80	118	50	-	14	200	162	-	132	160	-	-	-	491	-	100	70	-	-	240	190	-	-	128	15	-	-	156	-	100
50-32-160/00076	90S	X	X	50	32	80	118	50	-	14	200	190	-	132	160	-	-	118	518	562	100	70	-	-	240	190	-	-	128	15	-	-	156	200	100
50-32-160.1/00036	80M	X	X	50	32	80	116	50	-	14	200	162	-	132	160	-	-	-	491	-	100	70	-	-	240	190	-	-	121	15	-	-	156	-	100
50-32-160.1/00076	90S	X	X	50	32	80	116	50	-	14	200	190	-	132	160	-	-	118	518	562	100	70	-	-	240	190	-	-	121	15	-	-	156	200	100
50-32-200/00036	80M	X	X	50	32	80	142	50	-	14	200	162	-	160	180	-	-	-	491	-	100	70	-	-	240	190	-	-	143	18	-	-	156	-	100
50-32-200/00056	80M	X	X	50	32	80	142	50	-	14	200	162	-	160	180	-	-	-	491	-	100	70	-	-	240	190	-	-	143	18	-	-	156	-	100
50-32-200/00076	90S	X	X	50	32	80	142	50	-	14	200	190	-	160	180	-	-	118	518	562	100	70	-	-	240	190	-	-	143	18	-	-	156	200	100
50-32-200.1/00036	80M	X	X	50	32	80	142	50	-	14	200	162	-	160	180	-	-	-	491	-	100	70	-	-	240	190	-	-	142	18	-	-	156	-	100
50-32-200.1/00076	90S	X	X	50	32	80	142	50	-	14	200	190	-	160	180	-	-	118	518	562	100	70	-	-	240	190	-	-	142	18	-	-	156	200	100
50-32-250/00036	80M	X	X	50	32	100	169	65	-	14	200	162	-	180	225	-	-	-	511	-	125	95	-	-	320	250	-	-	178	18	-	-	156	-	100
50-32-250/00056	80M	X	X	50	32	100	169	65	-	14	200	162	-	180	225	-	-	-	511	-	125	95	-	-	320	250	-	-	178	18	-	-	156	-	100
50-32-250/00076	90S	X	X	50	32	100	169	65	-	14	200	190	-	180	225	-	-	118	538	582	125	95	-	-	320	250	-	-	178	18	-	-	156	200	100
50-32-250/00076	90L	-	X	50	32	100	169	65	-	14	200	190	-	180	225	-	-	118	564	608	125	95	-	-	320	250	-	-	178	18	-	-	156	200	100
50-32-250.1/00036	80M	X	X	50	32	100	168	65	-	14	200	162	-	180	225	-	-	-	511	-	125	95	-	-	320	250	-	-	168	18	-	-	156	-	100
50-32-250.1/00056	80M	X	X	50	32	100	168	65	-	14	200	162	-	180	225	-	-	-	511	-	125	95	-	-	320	250	-	-	168	18	-	-	156	-	100
50-32-250.1/00076	90S	X	X	50	32	100	168	65	-	14	200	190	-	180	225	-	-	118	538	582	125	95	-	-	320	250	-	-	168	18	-	-	156	200	100
65-40-125/00036	80M	X	X	65	40	80	117	50	-	14	200	162	-	112	140	-	-	-	491	-	100	70	-	-	210	160	-	-	117	15	-	-	156	-	100
65-40-125/00076	90S	X	X	65	40	80	117	50	-	14	200	190	-	112	140	-	-	118	518	562	100	70	-	-	210	160	-	-	117	15	-	-	156	200	100
65-40-160/00036	80M	X	X	65	40	80	119	50	-	14	200	162	-	132	160	-	-	-	491	-	100	70	-	-	240	190	-	-	134	15	-	-	156	-	100
65-40-160/00056	80M	X	X	65	40	80	119	50	-	14	200	162	-	132	160	-	-	-	491	-	100	70	-	-	240	190	-	-	134	15	-	-	156	-	100
65-40-160/00076	90S	X	X	65	40	80	119	50	-	14	200	190	-	132	160	-	-	118	518	562	100	70	-	-	240	190	-	-	134	15	-	-	156	200	100
65-40-200/00036	80M	X	X	65	40	100	142	50	-	14	200	162	-	160	180	-	-	-	511	-	100	70	-	-	265	212	-	-	155	18	-	-	156	-	100
65-40-200/00056	80M	X	X	65	40	100	142	50	-	14	200	162	-	160	180	-	-	-	511	-	100	70	-	-	265	212	-	-	155	18	-	-	156	-	100

88) Tolerances of mating dimensions to EN 735

89) Dimensions to EN 733

90) Dimension with single mechanical seal (A, IA, EA, FA)

91) Dimension with double mechanical seal (DB, TI)

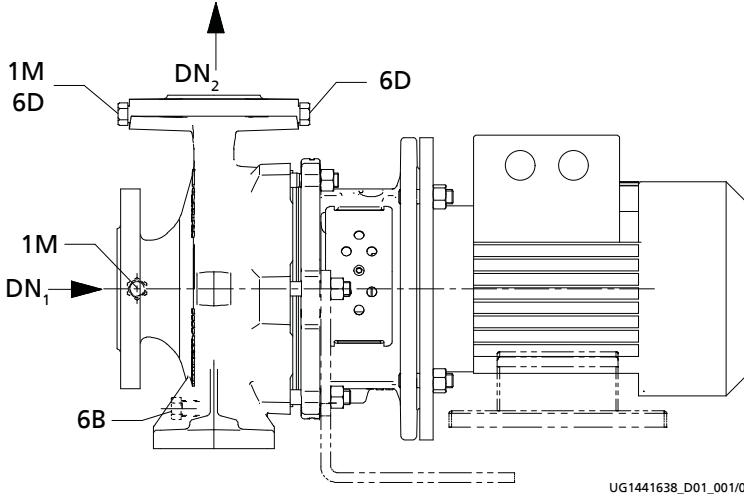
92) Motor feet must be shimmed.

Size	Motor (IEC)	n		DN <sub>1</sub> <small>(89)</small>	DN <sub>2</sub> <small>(89)</small>	a <small>(89)</small>	a1	b <sub>1</sub> <small>(89)</small>	b <sub>4</sub>	d <sub>1</sub> <small>(89)</small>	d <sub>2</sub>	d <sub>3</sub>	d <sub>4</sub>	h <sub>1</sub> <small>(89)</small>	h <sub>2</sub> <small>(89)</small>	h <sub>4</sub>	i <small>(90)</small>	i <small>(91)</small>	l <sub>1</sub> <small>(90)</small>	l <sub>1</sub> <small>(91)</small>	m <sub>1</sub> <small>(89)</small>	m <sub>2</sub> <small>(89)</small>	m <sub>3</sub>	m <sub>4</sub>	n <sub>1</sub> <small>(89)</small>	n <sub>2</sub> <small>(89)</small>	n <sub>3</sub>	n <sub>4</sub>	p	s <sub>1</sub> <small>(89)</small>	s <sub>2</sub>	u <small>(92)</small>	w <small>(90)</small>	w <small>(91)</small>	x <small>(89)</small>
		960	1160																																
		[rpm]																																	
65-40-200/ 00076	90S	✗	✗	65	40	100	142	50	-	14	200	190	-	160	180	-	-	118	538	582	100	70	-	-	265	212	-	-	155	18	-	-	156	200	100
65-40-250/ 00036	80M	✗	-	65	40	100	169	65	-	14	200	162	-	180	225	-	-	-	511	-	125	95	-	-	320	250	-	-	179	18	-	-	156	-	100
65-40-250/ 00056	80M	✗	✗	65	40	100	169	65	-	14	200	162	-	180	225	-	-	-	511	-	125	95	-	-	320	250	-	-	179	18	-	-	156	-	100
65-40-250/ 00076	90S	✗	✗	65	40	100	169	65	-	14	200	190	-	180	225	-	-	118	538	582	125	95	-	-	320	250	-	-	179	18	-	-	156	200	100
65-40-250/ 00116	90L	✗	✗	65	40	100	169	65	-	14	200	190	-	180	225	-	-	118	564	608	125	95	-	-	320	250	-	-	179	18	-	-	156	200	100
65-40-250/ 00156	100L	-	✗	65	40	100	169	65	-	14	250	213	-	180	225	-	-	118	652	696	125	95	-	-	320	250	-	-	179	18	-	-	170	214	100
65-40-315/ 00156	100L	✗	✗	65	40	125	207	65	-	14	250	213	-	225	250	-	-	142	697	745	125	95	-	-	345	280	-	-	207	18	-	-	190	238	100
65-40-315/ 00226	112M	✗	✗	65	40	125	207	65	-	14	250	234	-	225	250	-	-	142	686	734	125	95	-	-	345	280	-	-	207	18	-	-	190	238	100
65-40-315/ 00306	132S	-	✗	65	40	125	207	65	55	14	300	266	12	225	250	132	302	350	751	799	125	95	220	140	345	280	270	216	207	18	15	20	213	261	100
65-50-125/ 00036	80M	✗	✗	65	50	100	117	50	-	14	200	162	-	132	160	-	-	-	511	-	100	70	-	-	240	190	-	-	130	18	-	-	156	-	100
65-50-125/ 00076	90S	✗	✗	65	50	100	117	50	-	14	200	190	-	132	160	-	-	118	538	582	100	70	-	-	240	190	-	-	130	18	-	-	156	200	100
65-50-160/ 00036	80M	✗	✗	65	50	100	128	50	-	14	200	162	-	160	180	-	-	-	511	-	100	70	-	-	265	212	-	-	149	18	-	-	156	-	100
65-50-160/ 00056	80M	✗	✗	65	50	100	128	50	-	14	200	162	-	160	180	-	-	-	511	-	100	70	-	-	265	212	-	-	149	18	-	-	156	-	100
65-50-160/ 00076	90S	✗	✗	65	50	100	128	50	-	14	200	190	-	160	180	-	-	118	538	582	100	70	-	-	265	212	-	-	149	18	-	-	156	200	100
65-50-200/ 00036	80M	✗	-	65	50	100	144	50	-	14	200	162	-	160	200	-	-	-	511	-	100	70	-	-	265	212	-	-	163	18	-	-	156	-	100
65-50-200/ 00056	80M	✗	✗	65	50	100	144	50	-	14	200	162	-	160	200	-	-	-	511	-	100	70	-	-	265	212	-	-	163	18	-	-	156	-	100
65-50-200/ 00076	90S	✗	✗	65	50	100	144	50	-	14	200	190	-	160	200	-	-	118	538	582	100	70	-	-	265	212	-	-	163	18	-	-	156	200	100
65-50-200/ 00116	90L	✗	✗	65	50	100	144	50	-	14	200	190	-	160	200	-	-	118	564	608	100	70	-	-	265	212	-	-	163	18	-	-	156	200	100
65-50-200/ 00156	100L	-	✗	65	50	100	144	50	-	14	250	213	-	160	200	-	-	118	652	696	100	70	-	-	265	212	-	-	163	18	-	-	170	214	100
65-50-250/ 00056	80M	✗	-	65	50	100	170	65	-	14	200	162	-	180	225	-	-	-	511	-	125	95	-	-	320	250	-	-	186	18	-	-	156	-	100
65-50-250/ 00076	90S	✗	-	65	50	100	170	65	-	14	200	190	-	180	225	-	-	118	538	582	125	95	-	-	320	250	-	-	186	18	-	-	156	200	100
65-50-250/ 00116	90L	✗	✗	65	50	100	170	65	-	14	200	190	-	180	225	-	-	118	564	608	125	95	-	-	320	250	-	-	186	18	-	-	156	200	100
65-50-250/ 00156	100L	-	✗	65	50	100	170	65	-	14	250	213	-	180	225	-	-	118	652	696	125	95	-	-	320	250	-	-	186	18	-	-	170	214	100
65-50-250/ 00226	112M	-	✗	65	50	100	170	65	-	14	250	234	-	180	225	-	-	118	641	685	125	95	-	-	320	250	-	-	186	18	-	-	170	214	100
65-50-315/ 00156	100L	✗	-	65	50	125	207	65	-	14	250	213	-	225	280	-	-	142	697	745	125	95	-	-	345	280	-	-	215	18	-	-	190	238	100
65-50-315/ 00226	112M	✗	✗	65	50	125	207	65	-	14	250	234	-	225	280	-	-	142	686	734	125	95	-	-	345	280	-	-	215	18	-	-	190	238	100
65-50-315/ 00306	132S	✗	✗	65	50	125	207	65	55	14	300	266	12	225	280	132	302	350	751	799	125	95	220	140	345	280	270	216	215	18	15	20	213	261	100
65-50-315/ 00406	132M	-	✗	65	50	125	207	65	59	14	300	298	12	225	280	132	302	350	779	827	125	95	240	178	345	280	270	216	215	18	15	20	213	261	100
80-65-125/ 00036	80M	✗	✗	80	65	100	117	65	-	14	200	162	-	160	180	-	-	-	511	-	125	95	-	-	280	212	-	-	150	18	-	-	156	-	100
80-65-125/ 00056	80M	✗	✗	80	65	100	117	65	-	14	200	162	-	160	180	-	-	-	511	-	125	95	-	-	280	212	-	-	150	18	-	-	156	-	100
80-65-125/ 00076	90S	✗	✗	80	65	100	117	65	-	14	200	190	-	160	180	-	-	118	538	582	125	95	-	-	280	212	-	-	150	18	-	-	156	200	100
80-65-160/ 00036	80M	✗	✗	80	65	100	132	65	-	14	200	162	-	160	200	-	-	-	511	-	125	95	-	-	280	212	-	-	160	18	-	-	156	-	100
80-65-160/ 00056	80M	✗	✗	80	65	100	132	65	-	14	200	162	-	160	200	-	-	-	511	-	125	95	-	-	280	212	-	-	160	18	-	-	156	-	100
80-65-160/ 00076	90S	✗	✗	80	65	100	132	65	-	14	200	190	-	160	200	-	-	118	538	582	125	95	-	-	280	212	-	-	160	18	-	-	156	200	100
80-65-160/ 00116	90L	-	✗	80	65	100	132	65	-	14	200	190	-	160	200	-	-	118	564	608	125	95	-	-	280	212	-	-	160	18	-	-	156	200	100
80-65-200/ 00056	80M	✗	-	80	65	100	155	65	-	14	200	162	-	180	225	-	-	-	511	-	125	95	-	-	320	250	-	-	178	18	-	-	156	-	140
80-65-200/ 00076	90S	✗	-	80	65	100	155	65	-	14	200	190	-	180	225	-	-	118	538	582	125	95	-	-	320	250	-	-	178	18	-	-	156	200	140
80-65-200/ 00116	90L	✗	✗	80	65	100	155	65	-	14	200	190	-	180	225	-	-	118	564	608	125	95	-	-	320	250	-	-	178	18	-	-	156	200	140
80-65-200/ 00156	100L	-	✗	80	65	100	155	65	-	14	250	213	-	180	225	-	-	118	652	696	125	95	-	-	320	250	-	-	178	18	-	-	170	214	140
80-65-200/ 00226	112M	-	✗	80	65	100	155	65	-	14	250	234	-	180	225	-	-	118	641	685	125	95	-	-	320	250	-	-	178	18	-	-	170	214	140



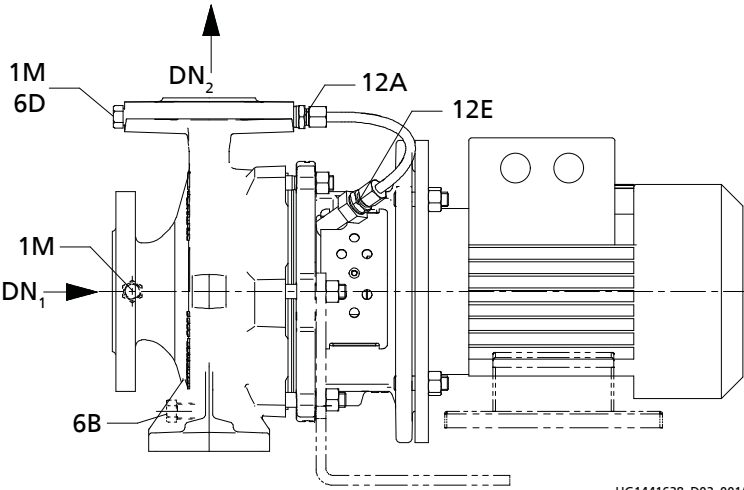
Size	Motor (IEC)	n		DN <sub>1</sub> <small>(89)</small>	DN <sub>2</sub> <small>(89)</small>	a <small>(89)</small>	a1	b <sub>1</sub> <small>(89)</small>	b <sub>4</sub>	d <sub>1</sub> <small>(89)</small>	d <sub>2</sub>	d <sub>3</sub>	d <sub>4</sub>	h <sub>1</sub> <small>(89)</small>	h <sub>2</sub> <small>(89)</small>	h <sub>4</sub>	i <small>(90)</small>	i <small>(91)</small>	l <sub>1</sub> <small>(90)</small>	l <sub>1</sub> <small>(91)</small>	m <sub>1</sub> <small>(89)</small>	m <sub>2</sub> <small>(89)</small>	m <sub>3</sub>	m <sub>4</sub>	n <sub>1</sub> <small>(89)</small>	n <sub>2</sub> <small>(89)</small>	n <sub>3</sub>	n <sub>4</sub>	p	s <sub>1</sub> <small>(89)</small>	s <sub>2</sub>	u <small>(92)</small>	w <small>(90)</small>	w <small>(91)</small>	x <small>(89)</small>
		960	1160																																
		[rpm]																																	
150-125-200/ 00306	132S	✗	✗	150	125	140	189	80	55	19	300	266	12	250	315	132	302	350	766	814	160	120	220	140	400	315	270	216	242	20	15	20	213	261	140
150-125-200/ 00406	132M	-	✗	150	125	140	189	80	59	19	300	298	12	250	315	132	302	350	794	842	160	120	240	178	400	315	270	216	242	20	15	20	213	261	140
150-125-200/ 00556	132M	-	✗	150	125	140	189	80	59	19	300	298	12	250	315	132	302	350	794	842	160	120	240	178	400	315	270	216	242	20	15	20	213	261	140
150-125-250/ 00306	132S	✗	-	150	125	140	226	80	55	19	300	266	12	250	355	132	302	350	766	814	160	120	220	140	400	315	270	216	275	20	15	20	213	261	140
150-125-250/ 00406	132M	✗	✗	150	125	140	226	80	59	19	300	298	12	250	355	132	302	350	794	842	160	120	240	178	400	315	270	216	275	20	15	20	213	261	140
150-125-250/ 00556	132M	✗	✗	150	125	140	226	80	59	19	300	298	12	250	355	132	302	350	794	842	160	120	240	178	400	315	270	216	275	20	15	20	213	261	140
150-125-250/ 00756	160M	-	✗	150	125	140	226	80	70	19	350	325	15	250	355	160	354	408	932	986	160	120	300	210	400	315	320	254	275	20	21	20	246	300	140
200-150-200/ 00306	132S	✗	-	200	150	160	240	100	55	24	300	266	12	280	400	132	302	350	786	834	200	150	220	140	550	450	270	216	316	20	15	20	213	261	140
200-150-200/ 00406	132M	✗	✗	200	150	160	240	100	59	24	300	298	12	280	400	132	302	350	814	862	200	150	240	178	550	450	270	216	316	20	15	20	213	261	140
200-150-200/ 00556	132M	-	✗	200	150	160	240	100	59	24	300	298	12	280	400	132	302	350	814	862	200	150	240	178	550	450	270	216	316	20	15	20	213	261	140
200-150-200/ 00756	160M	-	✗	200	150	160	240	100	70	24	350	325	15	280	400	160	354	408	952	1006	200	150	300	210	550	450	320	254	316	20	21	20	246	300	140
200-150-250/ 00406	132M	✗	-	200	150	160	230	100	59	24	300	298	12	280	400	132	302	350	814	862	200	150	240	178	500	400	270	216	300	20	15	20	213	261	140
200-150-250/ 00556	132M	✗	✗	200	150	160	230	100	59	24	300	298	12	280	400	132	302	350	814	862	200	150	240	178	500	400	270	216	300	20	15	20	213	261	140
200-150-250/ 00756	160M	✗	✗	200	150	160	230	100	70	24	350	325	15	280	400	160	354	408	952	1006	200	150	300	210	500	400	320	254	300	20	21	20	246	300	140
200-150-250/ 01106	160L	✗	✗	200	150	160	230	100	70	24	350	325	15	280	400	160	354	408	958	1012	200	150	314	254	500	400	320	254	300	20	21	20	246	300	140
200-150-250/ 01506	180L	-	✗	200	150	160	230	100	80	24	350	370	15	280	400	180	367	421	1016	1070	200	150	358	279	500	400	360	279	300	20	23	-	246	300	140

Connections



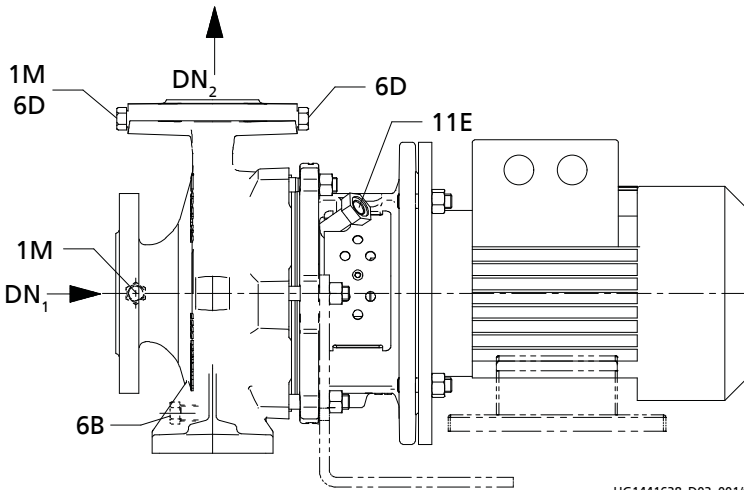
UG1441638\_D01\_001/02

Fig. 3: Single mechanical seal in A-type cover (AV) and single mechanical seal in A-type cover with internal circulation (IA)



UG1441638\_D02\_001/02

Fig. 4: Single mechanical seal in A-type cover with external circulation (EA)



UG1441638\_D03\_001/02

Fig. 5: Single mechanical seal in A-type cover with external flushing (FA)

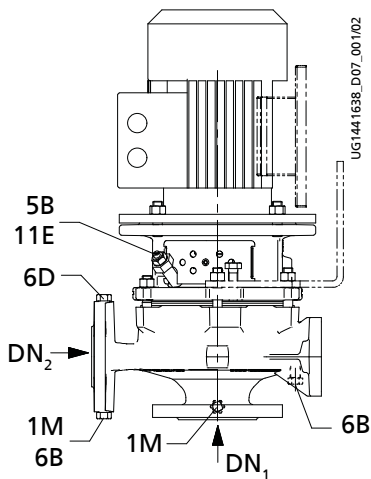


Fig. 6: Single mechanical seal in A-type cover with external flushing (FA) and venting if vertically installed

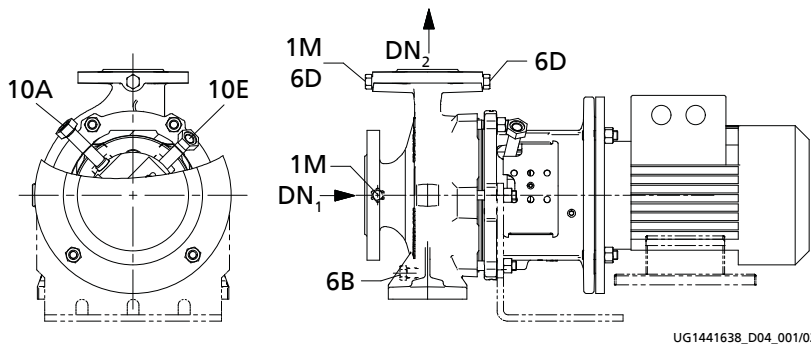


Fig. 7: Double mechanical seal in back-to-back arrangement (DB)

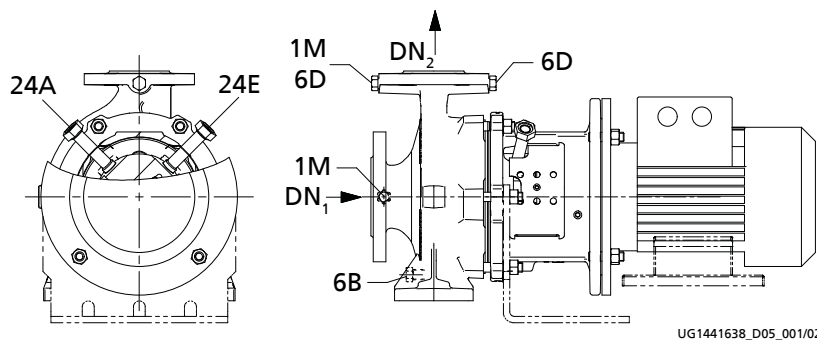
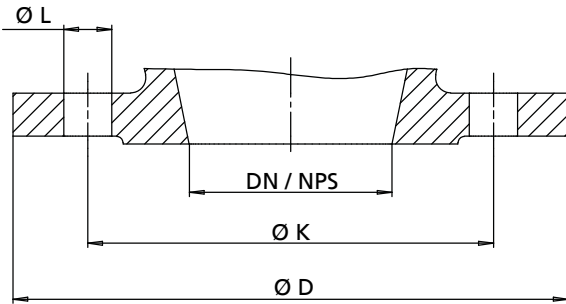


Fig. 8: Double mechanical seal in tandem arrangement (TI)

Connections

Connection	Description	Configuration	Position
1M	Pressure gauge with connection	On pump set with pressure sensor	DN <sub>2</sub>
1M optional	Pressure gauge with connection	Drilled and closed or with pressure sensor	DN <sub>1</sub>
5B	Vent	Connection fitting G 1/4	-
6B	Fluid drain	Drilled and closed	-
6D	Fluid priming and venting	Drilled and closed	DN <sub>2</sub> , suction side
6D optional	Fluid priming and venting	Drilled and closed	DN <sub>2</sub> , drive end
10A optional	External barrier water outlet	Connection fitting G 1/4	-
10E optional	External barrier water inlet	Connection fitting G 1/4	-
11E optional	Flushing liquid inlet	Connection fitting G 1/4	-
12A optional	Circulation liquid outlet	Drilled and connected	DN <sub>2</sub> , drive end
12E optional	Circulation liquid inlet	Drilled and connected	-
24A optional	Quench fluid outlet	Connection fitting G 1/4	-
24E optional	Quench fluid inlet	Connection fitting G 1/4	-

**Flange design**

**Fig. 9: Flange dimensions**
**Flange dimensions to EN 1092-1, EN 1092-2, EN 1092-3**

Flange dimensions [mm]

Nominal size	Standard																	
	EN 1092-3			EN 1092-1						EN 1092-2								
	Material variant volute casing																	
	B			C						G						S		
	PN 10			PN 10			PN 16			PN 10			PN 16			PN 16		
Ø D	Ø K	Number and Ø of holes (Ø L)	Ø D	Ø K	Number and Ø of holes (Ø L)	Ø D	Ø K	Number and Ø of holes (Ø L)	Ø D	Ø K	Number and Ø of holes (Ø L)	Ø D	Ø K	Number and Ø of holes (Ø L)	Ø D	Ø K	Number and Ø of holes (Ø L)	
25	115	85	4 x Ø 14	-	-	-	115	85	4 x Ø 14	-	-	-	115	85	4 x Ø 14	115	85	4 x Ø 14
32	140	100	4 x Ø 18	-	-	-	140	100	4 x Ø 18	-	-	-	140	100	4 x Ø 19	140	100	4 x Ø 19
40	150	110	4 x Ø 18	-	-	-	150	110	4 x Ø 18	-	-	-	150	110	4 x Ø 19	150	110	4 x Ø 19
50	165	125	4 x Ø 18	-	-	-	165	125	4 x Ø 18	-	-	-	165	125	4 x Ø 19	165	125	4 x Ø 19
65	185	145	4 x Ø 18	-	-	-	185	145	4 x Ø 18	-	-	-	185	145	4 x Ø 19	185	145	4 x Ø 19
80	DN 1 <sup>93)</sup>	229	160	8 x Ø 18	-	-	230	160	8 x Ø 18	-	-	-	229	160	8 x Ø 19	229	160	8 x Ø 19
	DN 2 <sup>94)</sup>	200	-	-	-	200	-	-	-	-	-	200	-	-	200	-	-	200
100	229	180	8 x Ø 18	-	-	-	230	180	8 x Ø 18	-	-	-	229	180	8 x Ø 19	229	180	8 x Ø 19
125	254	210	8 x Ø 18	-	-	-	255	210	8 x Ø 18	-	-	-	254	210	8 x Ø 19	254	210	8 x Ø 19
150	285	240	8 x Ø 22	-	-	-	285	240	8 x Ø 22	-	-	-	285	240	8 x Ø 23	285	240	8 x Ø 23
200	343	295	8 x Ø 22	345	295	8 x Ø 22	-	-	-	343	295	8 x Ø 23	-	-	-	343	295	12 x Ø 23

**Flange drilled to: ASME B 16.1, Class 125 or ASME B 16.5, Class 150**

Flange dimensions [mm]

Nominal size	Standard					
	ASME B 16.1 , Class 125 or ASME B 16.5, Class 150					
	Material variant volute casing					
	B, G, S			C		
Ø D	Ø K	Number and Ø of holes (Ø L)	Ø D	Ø K	Number and Ø of holes (Ø L)	
25/ NPS 1	115	79,2	4 x Ø 15,7	115	79,2	4 x Ø 15,7
32/ NPS 1 1/4	140	88,9	4 x Ø 15,7	140	88,9	4 x Ø 15,7
40/ NPS 1 1/2	150	98,6	4 x Ø 15,7	150	98,6	4 x Ø 15,7
50/ NPS 2	165	120,7	4 x Ø 19,1	165	120,7	4 x Ø 19,1
65/ NPS 2 1/2	185	139,7	4 x Ø 19,1	185	139,7	4 x Ø 19,1
80/ NPS 3	DN 1 <sup>93)</sup>	229	190,5	230	190,5	8 x Ø 19,1
	DN 2 <sup>94)</sup>	200	152,4	200	152,4	4 x Ø 19,1
100/ NPS 4	229	190,5	8 x Ø 19,1	230	190,5	8 x Ø 19,1
125/ NPS 5	254	215,9	8 x Ø 22,4	255	215,9	8 x Ø 22,4
150/ NPS 6	285	241,3	8 x Ø 22,4	285	241,3	8 x Ø 22,4
200/ NPS 8	343	298,5	8 x Ø 22,4	345	298,5	8 x Ø 22,4

 93) Suction flange  
 94) Discharge flange

Flange design by materials

Material variant	Standard	Nominal size	Pressure class
GG, GB, GC	EN 1092-2	DN 25 - DN 150	PN 16
		DN 200	PN 10
	Drilled to ASME B16.1 <sup>95)</sup>	DN 25 - DN 200	Class 125
SG, SB, SC	EN 1092-2	DN 25 - DN 200	PN 16
	Drilled to ASME B16.1 <sup>95)</sup>	DN 25 - DN 200	Class 125
BB	EN 1092-3	DN 25 - DN 200	PN 10
	Drilled to ASME B16.1 <sup>95)</sup>	DN 25 - DN 200	Class 125
CC	EN 1092-1	DN 25 - DN 150	PN 16
		DN 200	PN 10
	Drilled to ASME B16.5 <sup>95)</sup>	DN 25 - DN 200	Class 150

---

95) Suction-side DN 80 machined like DN 100

Installation types

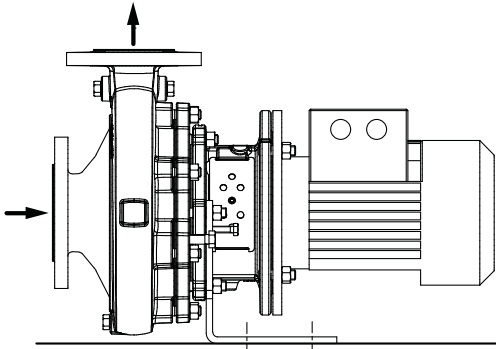


Fig. 10: Horizontal installation, fastened below, pump set with support foot, motor size  $\leq 112$

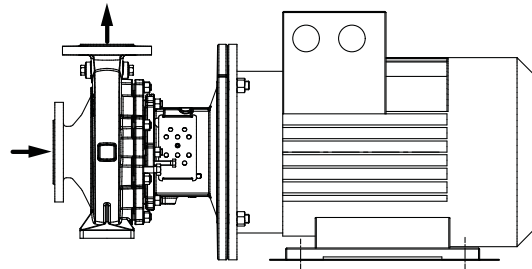


Fig. 14: Horizontal installation, fastened below, pump set, motor sizes 200 - 315, 2-pole

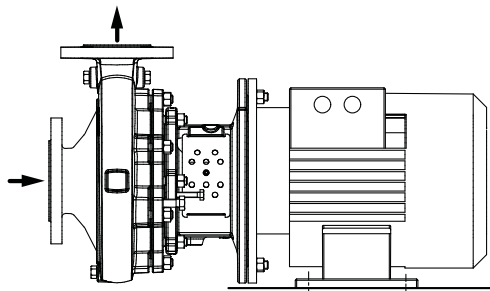


Fig. 11: Horizontal installation, fastened below, pump set, motor sizes 132 - 180

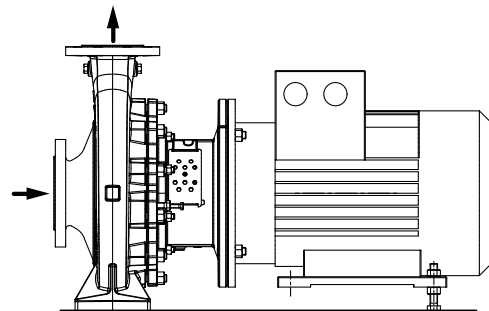


Fig. 15: Horizontal installation, fastened below, pump set with volute casing foot, motor sizes 200 - 315, 4-pole

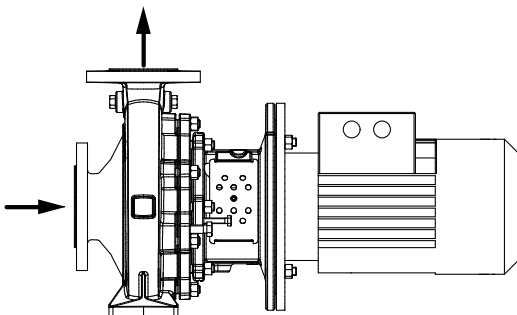


Fig. 12: Horizontal installation, fastened below, pump set with volute casing foot, motor size  $\leq 112$

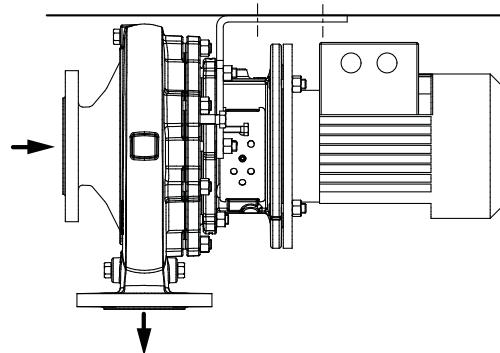


Fig. 16: Horizontal installation, fastened above, pump set with support foot, motor size  $\leq 112$

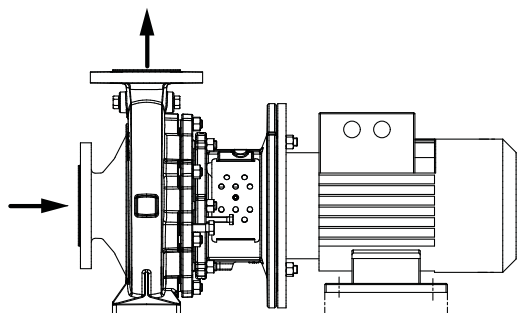


Fig. 13: Horizontal installation, fastened below, pump set with volute casing foot, motor sizes 132 - 180

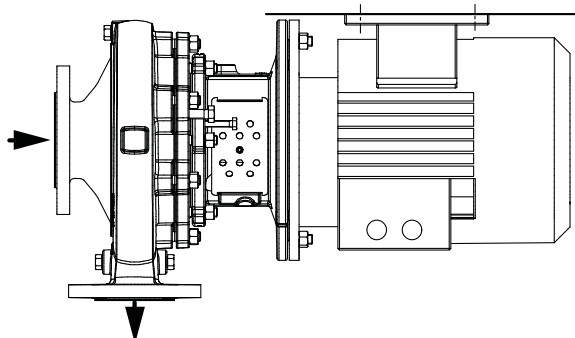
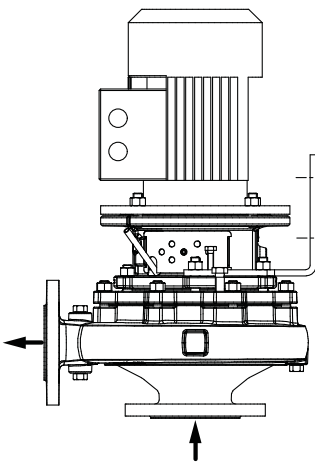
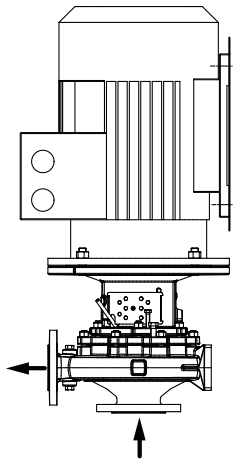


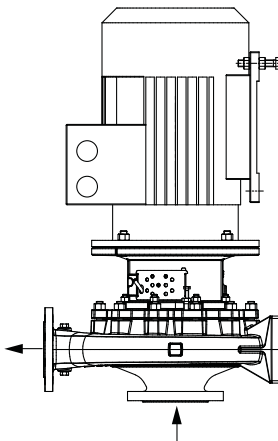
Fig. 17: Horizontal installation, fastened above, pump set, motor sizes 132 - 180



**Fig. 18:** Vertical installation, pump set with support foot, motor size  $\leq 112$  (i A vent valve must be fitted to avoid dry running of the mechanical seal.)



**Fig. 19:** Vertical installation, pump set with volute casing foot, motor sizes 132 - 180 and 200 - 315, 2-pole (i A vent valve must be fitted to avoid dry running of the mechanical seal.)



**Fig. 20:** Vertical installation, pump set with volute casing foot, motor sizes 200 - 315, 4-pole (i A vent valve must be fitted to avoid dry running of the mechanical seal.)

**Scope of supply**

Depending on the model, the following items are included in the scope of supply:

- Pump
- Drive
- PumpDrive
- PumpMeter

**General assembly drawings**

**Version with single mechanical seal and bolted casing cover**

This illustration applies to the following pump sizes:

40-25-200	50-32-200	65-40-200	65-50-200	80-65-200	100-80-250	125-100-250	150-125-250	200-150-250
	50-32-200.1	65-40-250	65-50-250	80-65-250	100-80-315	125-100-315	150-125-315	200-150-315
	50-32-250	65-40-315	65-50-315	80-65-315	100-80-400	125-100-400	150-125-400	200-150-400
	50-32-250.1							

Supplied in packaging units only

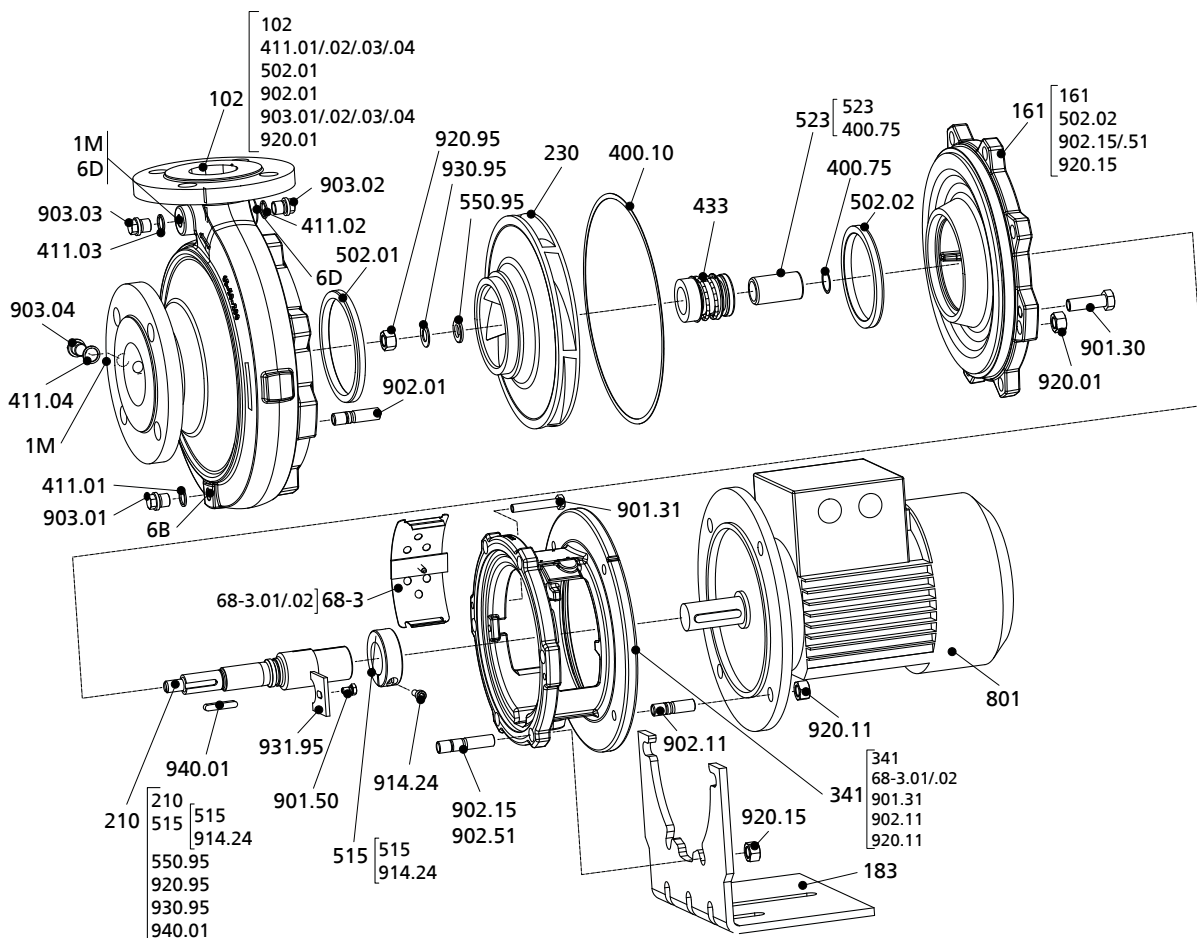


Fig. 21: Version with single mechanical seal and bolted casing cover, without pump foot

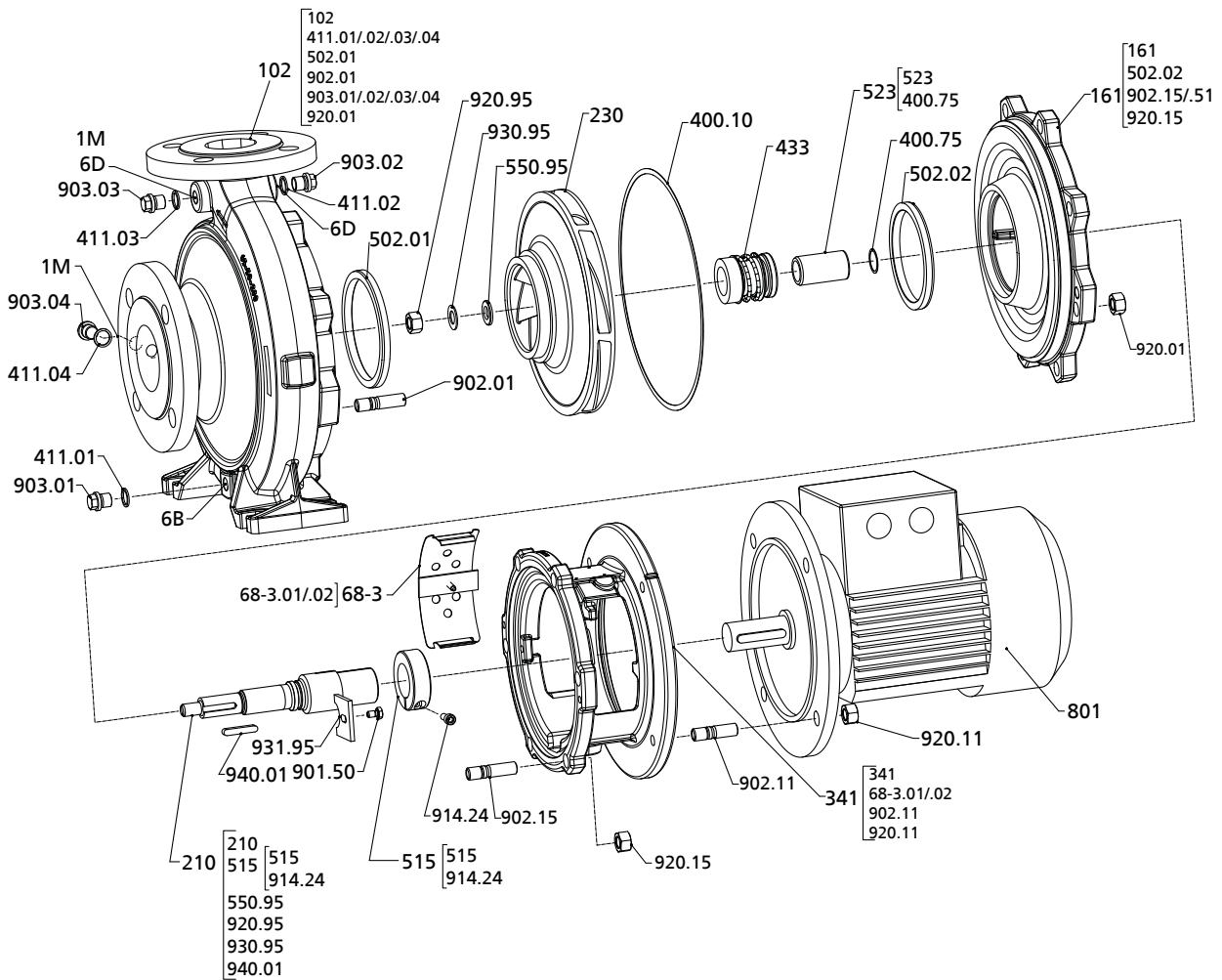


Fig. 22: Version with single mechanical seal and bolted casing cover, with pump foot

List of components<sup>96)</sup>

Part No.	Description	Part No.	Description
102	Volute casing	523	Shaft sleeve
146	Intermediate lantern	550.95	Disc
161	Casing cover	68-3.01/02	Cover plate
183	Support foot	801	Flanged motor
210	Shaft	901.30/.31/.50	Hexagon head bolt
230	Impeller	902.01/.06/.11/.15/.50/.51	Stud
341	Drive lantern	903.01/.02/.03/.04/.08 <sup>97)</sup>	Screw plug
400.10/.75	Gasket	914.24	Hexagon socket head cap screw
411.01/.02/.03/.04/.08	Joint ring	920.01/.06/.11/.15/.95	Nut
433	Mechanical seal	930.95	Spring washer
502.01/.02	Casing wear ring	931.95	Lock washer
515	Taper lock ring	940.01	Key

Connections

Part No.	Description	Part No.	Description
1M	Casing wear ring	6D	Fluid priming and venting
6B	Fluid drain		

96) Some individual components might not be applicable, depending on the pump size and material.

97) Not shown in the drawing

Version with single mechanical seal and clamped casing cover

This illustration applies to the following pump sizes:

40-25-160	50-32-125	65-40-125	65-50-125	80-65-125	100-80-160	125-100-160	150-125-200	200-150-200
	50-32-125.1	65-40-160	65-50-160	80-65-160	100-80-200	125-100-200		
	50-32-160							
	50-32-160.1							

Supplied in packaging units only

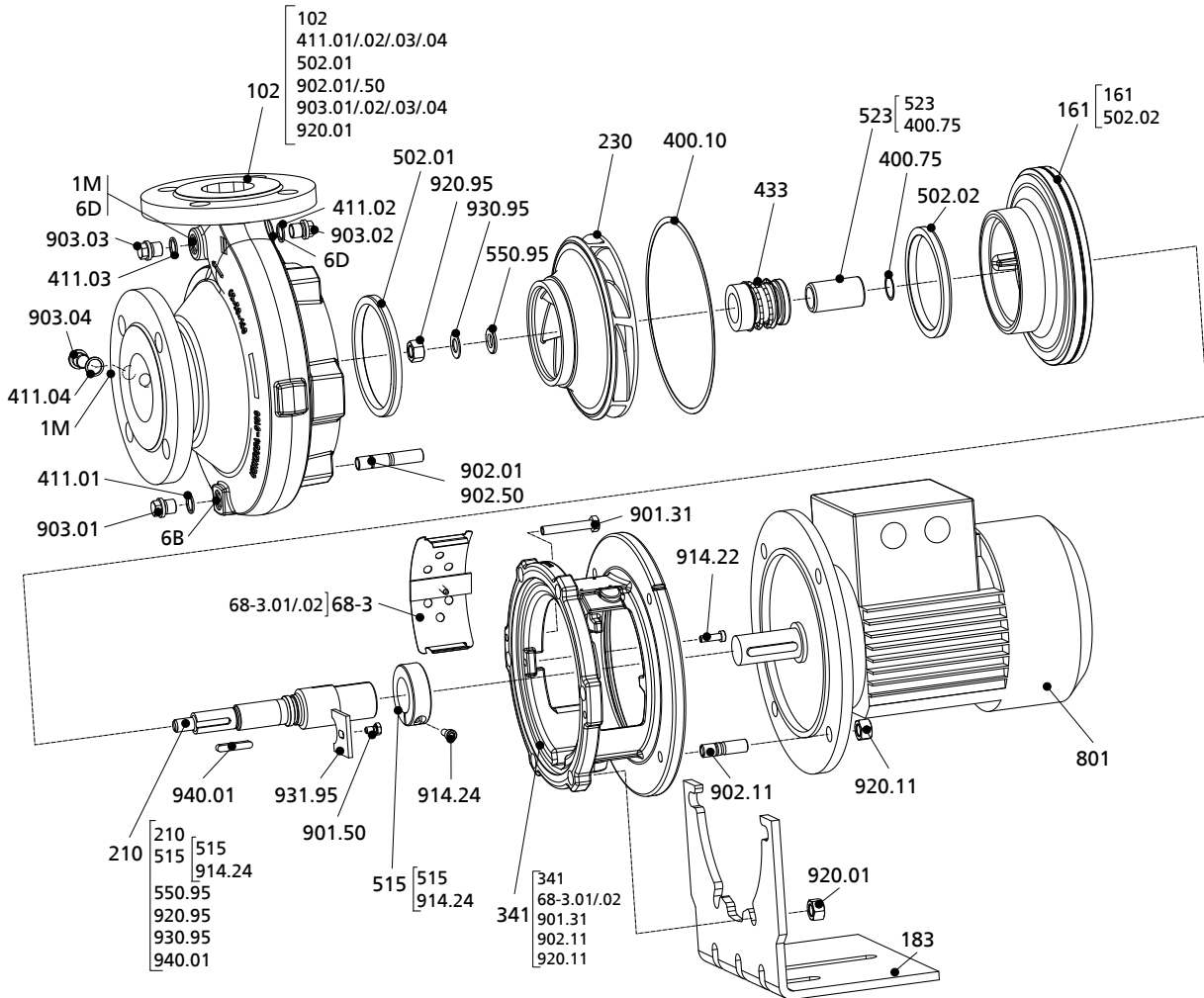


Fig. 23: Version with single mechanical seal and clamped casing cover, without pump foot

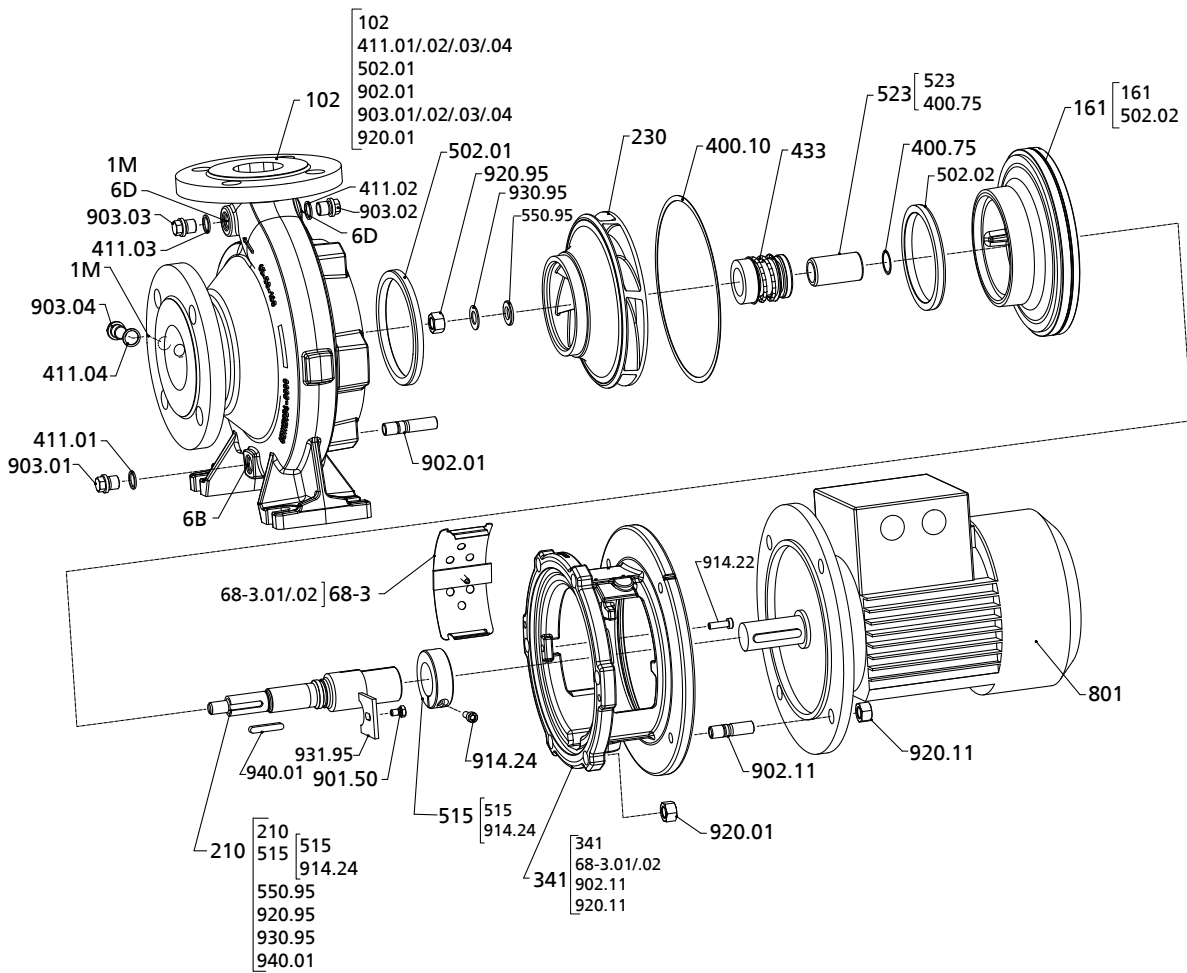


Fig. 24: Version with single mechanical seal and clamped casing cover, with pump foot

List of components<sup>98)</sup>

Part No.	Description	Part No.	Description
102	Volute casing	523	Shaft sleeve
146	Intermediate lantern	550.95	Disc
161	Casing cover	68-3.01/.02	Cover plate
183	Support foot	801	Flanged motor
210	Shaft	901.30/.31/.50	Hexagon head bolt
230	Shaft	902.01/.06/.11/.15/.50/.51	Stud
341	Drive lantern	903.01/.02/.03/.04/.08	Screw plug
400.10/.75	Gasket	914.22/.24	Hexagon socket head cap screw
411.01/.02/.03/.04/.08	Joint ring	920.01/.06/.11/.15/.95	Hexagon nut
433	Mechanical seal	930.95	Spring washer
502.01/.02 <sup>99)</sup>	Casing wear ring	931.95	Lock washer
515	Taper lock ring	940.01	Key

Connections

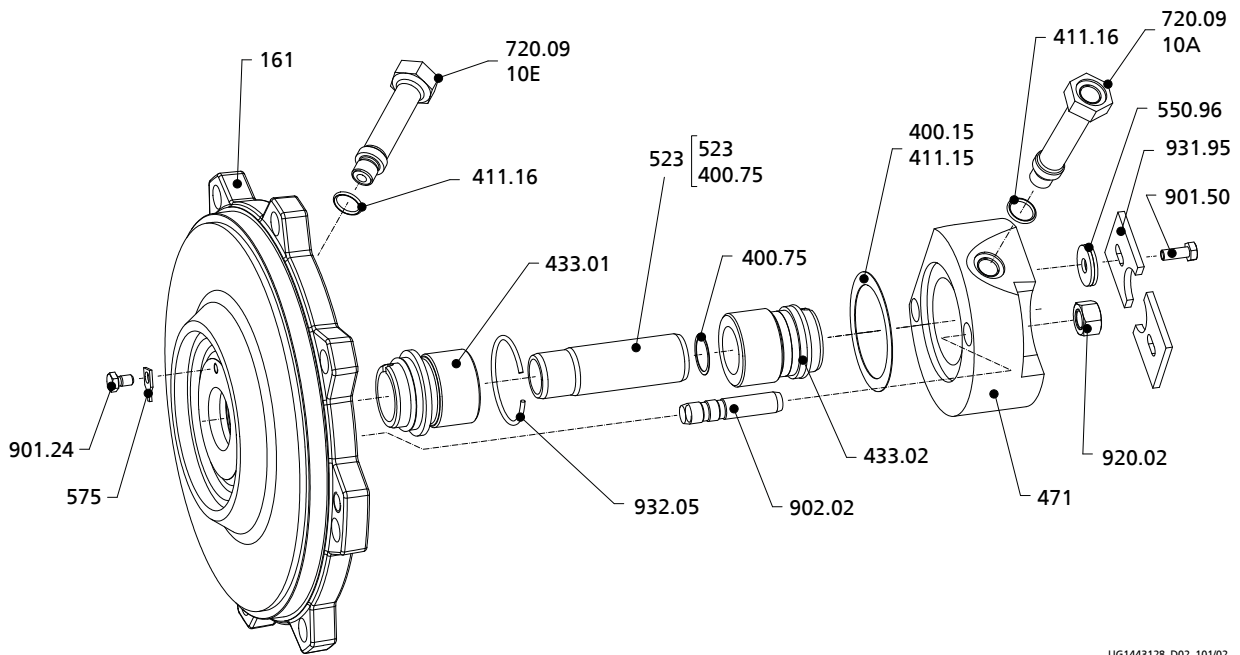
Part No.	Description	Part No.	Description
1M	Casing wear ring	6D	Fluid priming and venting
6B	Fluid drain		

98) Some individual components might not be applicable, depending on the pump size and material.

99) Not for sizes 25-160, 32-125, 32-125.1, 32-160, 32-160.1 and 40-125

**Version with double mechanical seal in back-to-back arrangement**

Supplied in packaging units only



UG1443128\_D02\_101/02

**Fig. 25:** Version with double mechanical seal in back-to-back arrangement

List of components<sup>100)</sup>

Part No.	Description	Part No.	Description
161	Casing cover	575	Strip
400.15/.75	Gasket	720.09	Fitting
411.15/.16	Joint ring	901.24/.50	Hexagon head bolt
433.01/.02	Mechanical seal	902.02	Stud
471	Seal cover	920.02	Hexagon nut
523	Shaft sleeve	931.95	Lock washer
550.96	Disc	932.05	Circlip
562.02	Parallel pin		

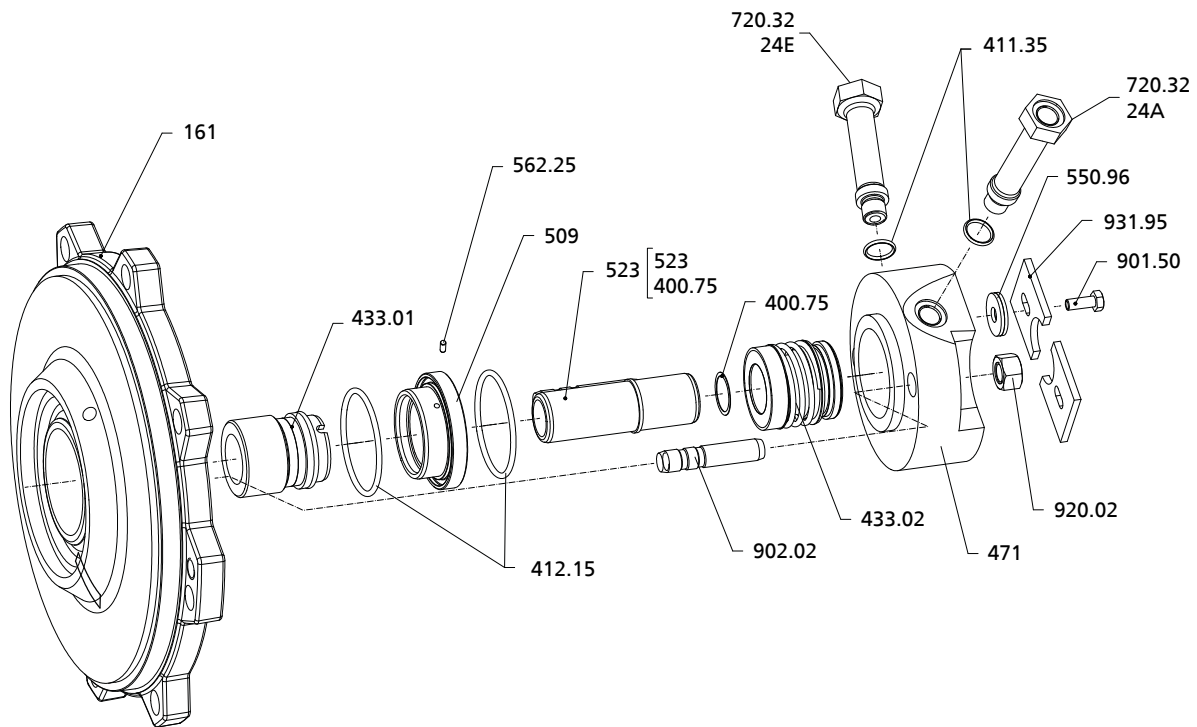
Auxiliary connections

Part No.	Description	Part No.	Description
10A	External barrier water outlet	10E	External barrier water inlet

100) Some individual components might not be applicable, depending on the pump size and material.

**Version with double mechanical seal in tandem arrangement**

Supplied in packaging units only



UG1443128\_D01\_101/02

**Fig. 26:** Version with double mechanical seal in tandem arrangement

List of components<sup>101)</sup>

Part No.	Description	Part No.	Description
161	Casing cover	550.96	Disc
400.75	Gasket	562.25	Parallel pin
411.35	Joint ring	720.32	Fitting
412.15	O-ring	901.50	Hexagon head bolt
433.01/.02	Mechanical seal	902.02	Stud
471	Seal cover	920.02	Hexagon nut
509	Intermediate ring	931.95	Lock washer
523	Shaft sleeve		

Auxiliary connections

Part No.	Description	Part No.	Description
24A	Quench liquid outlet	24E	Quench liquid inlet

101) Some individual components might not be applicable, depending on the pump size and material.



**KSB SE & Co. KGaA**  
Johann-Klein-Straße 9 • 67227 Frankenthal (Germany)  
Tel. +49 6233 86-0  
[www.ksb.com](http://www.ksb.com)